



立式液压千斤顶
Hydraulic Bottle Jack

97801A-97810A



使用说明书 \ User's Manual



目 录

第一章 应用范围	4
第二章 性能参数	4
第三章 使用方法	4
第四章 警告	4
第五章 爆炸图及零件	5

第一章 应用范围

- 1) 世达立式千斤顶是按液压原理设计加工而成，主体为焊接结构。广泛用于各行业的专业起重举升工作，如汽车维修、设备安装、建筑施工等。
- 2) 本千斤顶只适用于直立使用，不能侧置或倒立使用，工作温度范围 -30°C -60°C，不能用于酸碱及腐蚀性气体场所。

第二章 性能参数

型号	产品规格	最低高度	活塞杆顶升高度	延长螺杆高度	最高高度	自重 (含手柄)
97801A	2 公吨	181	115	48	344	2.4
97802A	4 公吨	193	120	60	373	3.2
97803A	6 公吨	210	136	70	416	3.9
97804A	8 公吨	230	150	80	455	5
97805A	10 公吨	230	150	80	460	5.6
97807A	16 公吨	230	150	60	440	7.1
97808A	20 公吨	242	150	60	452	9.1
97809A	32 公吨	275	165	/	440	12
978010A	50 公吨	265	160	/	425	25.3

第三章 使用方法

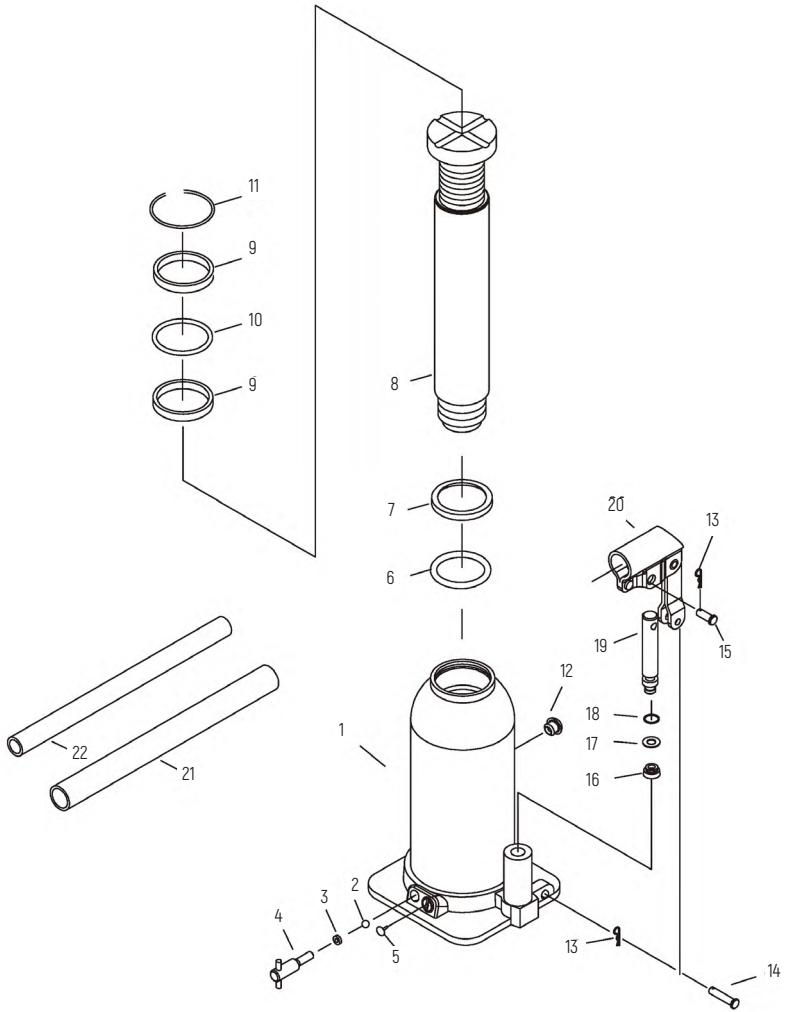
- 1) 根据工作物重量，选择合适载重吨位的千斤顶。
- 2) 选择合适的水平硬质面作支撑面，放置千斤顶于工作物下方。
- 3) 连接两段式手柄，将开槽端套入回油阀旋钮，顺时针方向旋紧。
- 4) 抽出手柄插入揷手孔内，反复上下揷压泵芯，活塞杆即平稳上升顶起工作物。由于本千斤顶有安全限制装置，故对于限压吨位以上的重物千斤顶自行保护，不作提升。
- 5) 顶升工作物到位后，使用匹配的千斤顶支架来支撑工作物，经检查确认支撑牢固结实后再进行其它作业。
- 6) 完成作业后，取走千斤顶支架，将手柄开槽端套入回油阀旋钮，逆时针方向微微旋松，活塞杆即渐渐下降，转回油阀不能太快，否则工作物下降过快产生危险。

第四章 警告

- 1) 在操作前请务必仔细阅读理解使用说明书的全部内容。
- 2) 严禁超载使用千斤顶，否则引起的事故责任不在保险范围之列。
- 3) 不能自行调节安全阀，否则引起的事故责任不在保险范围之列。
- 4) 操作前必须确认支撑面为水平硬质面，否则会有危险。
- 5) 只能用作顶升，工作时必须选用匹配的千斤顶支架来支撑工作物。
- 6) 严禁偏载，不能倾斜顶升工作物，否则容易造成危险及损坏千斤顶。
- 7) 不能用于酸碱及腐蚀性气体场所。

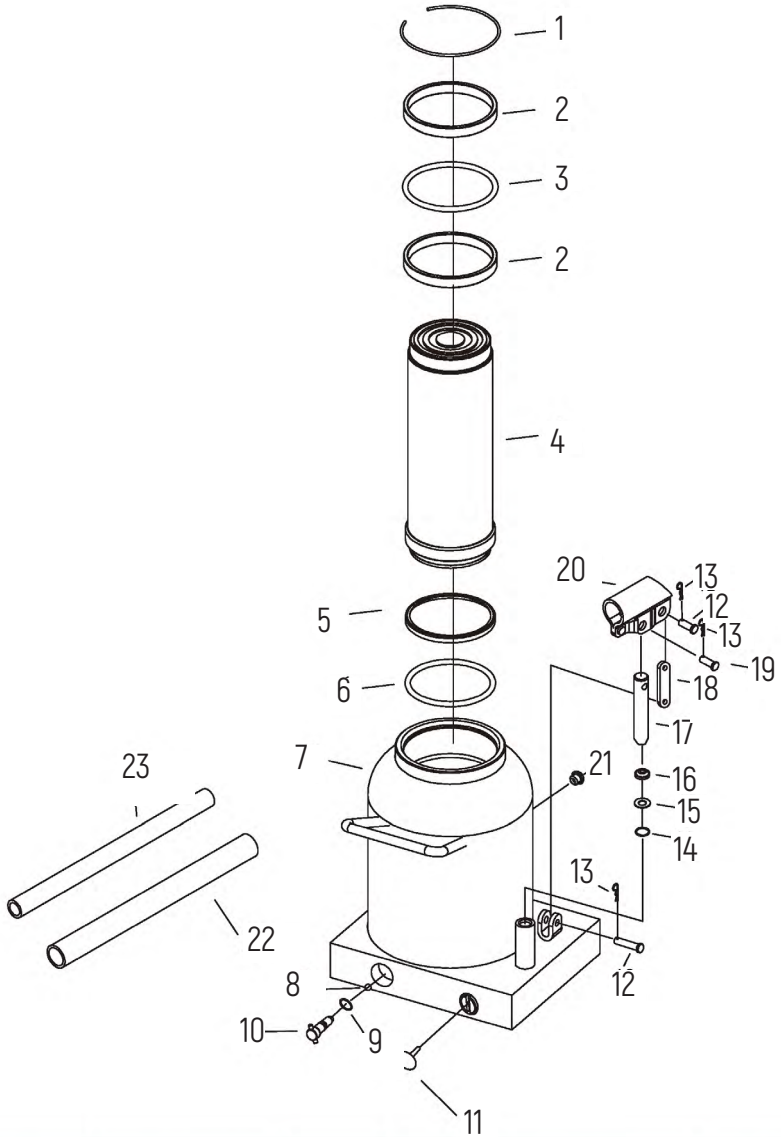
第五章 爆炸图及零件

97801A-97804A:



序号	零件编号	零件名称	数量
1	—	立顶主体	1
2	P97801A-2	放油阀钢珠	1
3	P97801A-3	放油阀○型圈	1
4	P97801A-4	放油阀杆	1
5	P97801A-5	安全阀盖	1
6	P97801A-6	杆头○型圈	1
7	P97801A-7	杆头碗型垫	1
8	P97801A-8	活塞杆总成	1
9	P97801A-9	活塞杆挡环	2
10	P97801A-10	活塞杆○型圈	1
11	P97801A-11	活塞杆挡圈	1
12	P97801A-12	油孔塞	1
13	P97801A-13	R 型销	2
14	P97801A-14	连销杆	1
15	P97801A-15	泵芯销	1
16	P97801A-16	泵芯 Y 型圈	1
17	P97801A-17	泵芯尼龙挡圈	1
18	P97801A-18	泵芯○型圈	1
19	P97801A-19	泵芯	1
20	P97801A-20	掀手总成	1
21	P97801A-21	前手柄	1
22	P97801A-22	后手柄	1

97801A-97804A:



序号	零件编号	零件名称	数量
1	P97810A-1	活塞杆挡圈	1
2	P97810A-2	活塞杆挡环	2
3	P97810A-3	活塞杆○型圈	1
4	P97810A-4	活塞杆总成	1
5	P97810A-5	杆头碗型垫	1
6	P97810A-6	杆头○型圈	1
7	—	立顶主体	1
8	P97801A-2	放油阀钢珠	1
9	P97801A-3	放油阀○型圈	1
10	P97801A-4	放油阀杆	1
11	P97801A-5	安全阀盖	1
12	P97801A-14	连杆销	1
13	P97801A-13	R 型销	3
14	P97809A-16	泵芯○型圈	1
15	P97809A-17	泵芯尼龙挡圈 B	1
16	P97809A-18	防尘圈	1
17	P97810A-17	泵芯	1
18	P97810A-18	撇手连杆	1
19	P97801A-15	泵芯销	1
20	P97810A-20	撇手	1
21	P97801A-12	油孔塞	1
22	P97807A-20	前手柄	1
23	P97807A-21	后手柄	1

Contents

Chapter 1 Application Scope	10
Chapter 2 Performance Parameters.....	10
Chapter 3 Application Method	10
Chapter 4 Warning.....	10
Chapter 5 Exploded View and Parts.....	11

Chapter 1 Application Scope

- 1) SATA's vertical jacks, with a welded main body, are designed and manufactured based on the hydraulic principle. They are widely used in professional lifting in various industries, such as vehicle maintenance, equipment installation and construction.
- 2) The jacks can only be used in upright position instead of sideways or upside down. They can work at temperature of $-30^{\circ}\text{C} \sim 60^{\circ}\text{C}$, and cannot be used in places with acid, alkali and corrosive gases.

Chapter 2 Performance Parameters

Model	Specifications	Minimum height	Piston rod jack-up height	Extension screw rod height	Maximum height	Dead weight (including handle)
97801A	2MT	181	115	48	344	24
97802A	4MT	193	120	60	373	3.2
97803A	6MT	210	136	70	416	3.9
97804A	8MT	230	150	80	455	5
97805A	10MT	230	150	80	460	5.6
97807A	16MT	230	150	60	440	7.1
97808A	20MT	242	150	60	452	9.1
97809A	32MT	275	165	/	440	12
978010A	50MT	265	160	/	425	25.3

Chapter 3 Application Method

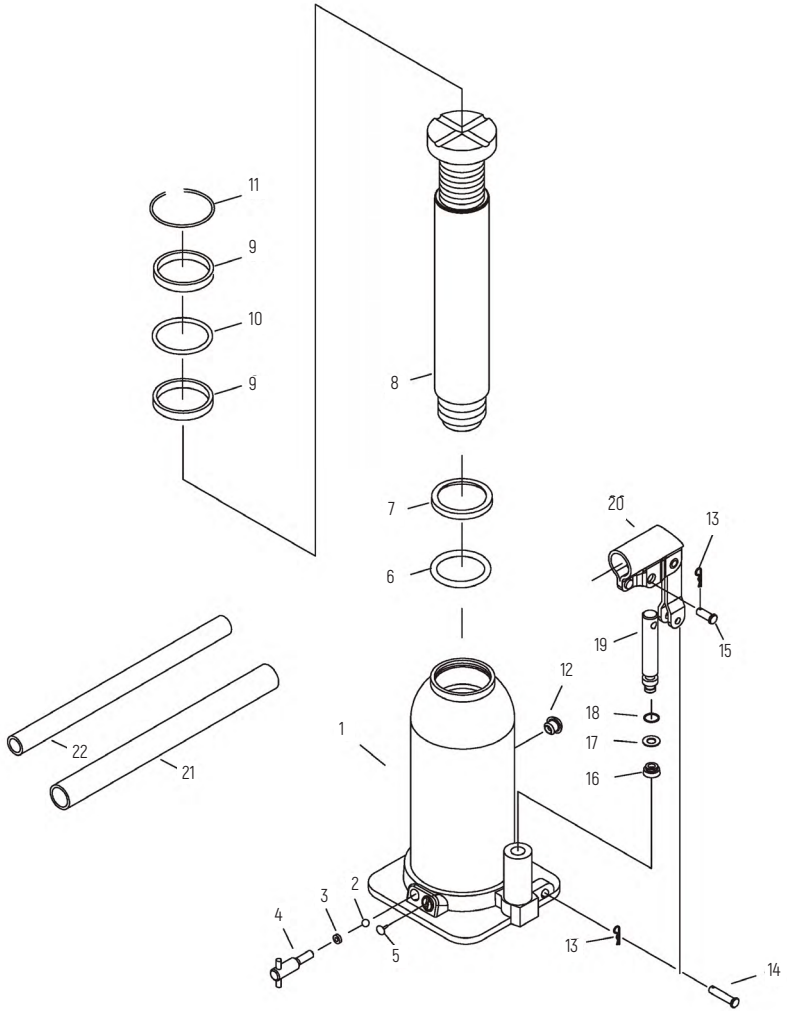
- 1) Select a jack of the appropriate deadweight tonnage based on the weight of the work piece.
- 2) Select an appropriate hard level surface as the support surface and place the jack under the work piece.
- 3) Connect the two-section handle, insert the slotted end into the oil return valve knob, and screw it tight in a clockwise manner.
- 4) Pull out the handle and insert it into the socket hole and press the pump core up and down repeatedly. Then the piston rod will rise smoothly to lift the work piece. Since the jacks come with safety limiting devices, the jacks will protect themselves in case of work pieces over the limiting tonnage and will not work.
- 5) After the work piece is lifted into place, support it with use the matching jack support, and confirm that the support is firm and strong before performing other operations.
- 6) After the operation is completed, take the jack support away, and put the slotted end of the handle into the oil return valve knob, screw it slightly loosened in a counterclockwise manner, and the piston rod will gradually lower. Do not rotate the oil return valve too fast, otherwise the work piece will fall too fast, which is dangerous.

Chapter 4 Warning

- 1) Be sure to read and understand all content of the Operation Instruction before operation.
- 2) Overloading of the jack is prohibited, otherwise the liability for accidents will not be covered by insurance.
- 3) The safety valve cannot be adjusted by the user, otherwise the liability for accidents will not be covered by insurance.
- 4) Confirm that the support surface is a hard level surface before operation, otherwise there may be danger.
- 5) The jacks can only be used for jacking, and a matching jack support must be used to support the work piece.
- 6) Unbalance loading is prohibited and it is not allowed to lift the work piece in a tilting manner, otherwise it will be dangerous and the jack may be damaged.
- 7) The jacks cannot be used in places with acid, alkali and corrosive gas.

Chapter 5 Exploded View and Parts

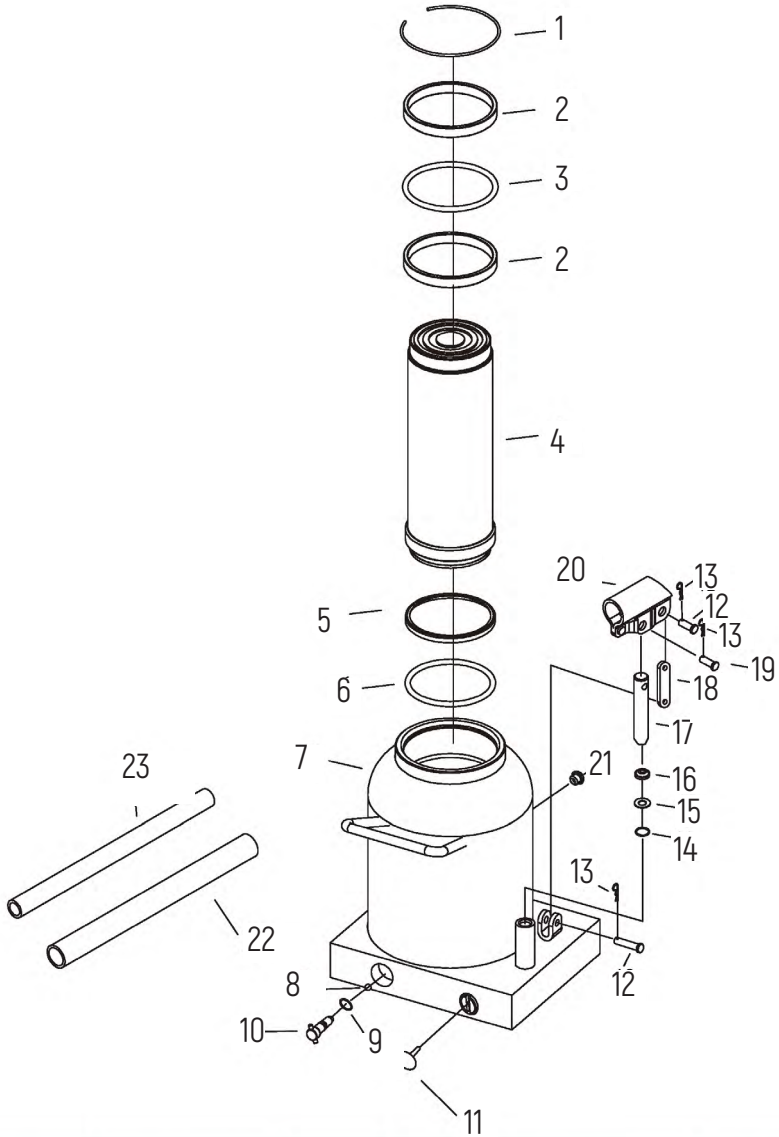
97801A-97804A:





S/N	Part number	Part Name	Quantity
1	—	Main body of vertical jack	1
2	P97801A-2	Steel ball for oil drain valve	1
3	P97801A-3	O-ring for oil drain valve	1
4	P97801A-4	Oil drain valve rod	1
5	P97801A-5	Safety valve cover	1
6	P97801A-6	O-ring for rod head	1
7	P97801A-7	Bowl-shaped pad for rod head	1
8	P97801A-8	Piston rod assembly	1
9	P97801A-9	Damping ring for piston rod	2
10	P97801A-10	O-ring for piston rod	1
11	P97801A-11	Damping ring for piston rod	1
12	P97801A-12	Oil hole plug	1
13	P97801A-13	R-pin	2
14	P97801A-14	Pin rod	1
15	P97801A-15	Pump core pin	1
16	P97801A-16	Y-ring for pump core	1
17	P97801A-17	Nylon damping ring for pump core	1
18	P97801A-18	O-ring for pump core	1
19	P97801A-19	Pump core	1
20	P97801A-20	Socket assembly	1
21	P97801A-21	Front rod	1
22	P97801A-22	Rear handle	1

97801A-97804A:





S/N	Part number	Part Name	Quantity
1	P97810A-1	Damping ring for piston rod	1
2	P97810A-2	Damping ring for piston rod	2
3	P97810A-3	O-ring for piston rod	1
4	P97810A-4	Piston rod assembly	1
5	P97810A-5	Bowl-shaped pad for rod head	1
6	P97810A-6	O-ring for rod head	1
7	—	Main body of vertical jack	1
8	P97801A-2	Steel ball for oil drain valve	1
9	P97801A-3	O-ring for oil drain valve	1
10	P97801A-4	Oil drain valve rod	1
11	P97801A-5	Safety valve cover	1
12	P97801A-14	Connecting rod pin	1
13	P97801A-13	R-pin	3
14	P97809A-16	O-ring for pump core	1
15	P97809A-17	Nylon damping ring B for pump core	1
16	P97809A-18	Dust ring	1
17	P97810A-17	Pump core	1
18	P97810A-18	Socket connecting rod	1
19	P97801A-15	Pump core pin	1
20	P97810A-20	Socket	1
21	P97801A-12	Oil hole plug	1
22	P97807A-20	Front rod	1
23	P97807A-21	Rear handle	1

适用型号 / Model: 97801A-97810A

版本号 / Version No: V-SC-9780X-1216

世达工具（上海）有限公司

SATA TOOL (SHANGHAI) LIMITED

客户服务：上海市浦东新区碧波路 177 号 A 座 302 室

Customer service: Room 302, Area A, No. 177, Bibo Road, Pudong New Area, Shanghai

邮编 / Post: 201203

电话 / Tel.: (86 21) 6061 1919

传真 / Fax: (86 21) 6061 1918