



# SATA®

非接触式诊断型轮胎平衡机

Contactless Diagnostic Wheel Balancer

Berührunglose Reifenauswuchtmaschine für Diagnose

Бесконтактный балансер колес с диагнозом

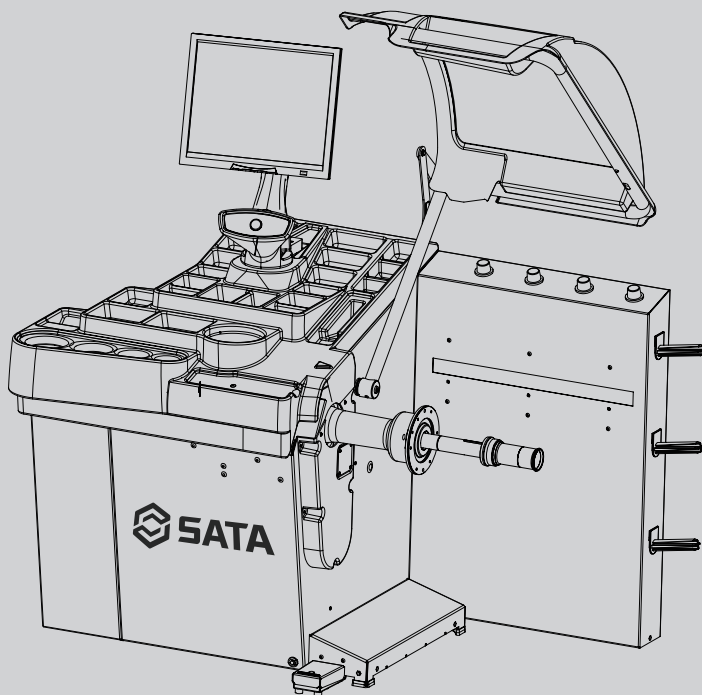
비접촉식 진단용 타이어 밸런스 검사기

Máquina de balanceamento de pneus de diagnóstico sem contato

非接触診断タイヤバランシングマシン

Máquina de equilibrio de neumáticos de tipo diagnóstico sin contacto

AE2031



使用说明书 \ User's Manual \ Bedienungsanleitung \ Инструкция по эксплуатации  
사용설명서 \ Manual de instruções \ 取扱説明書 \ Manual del uso

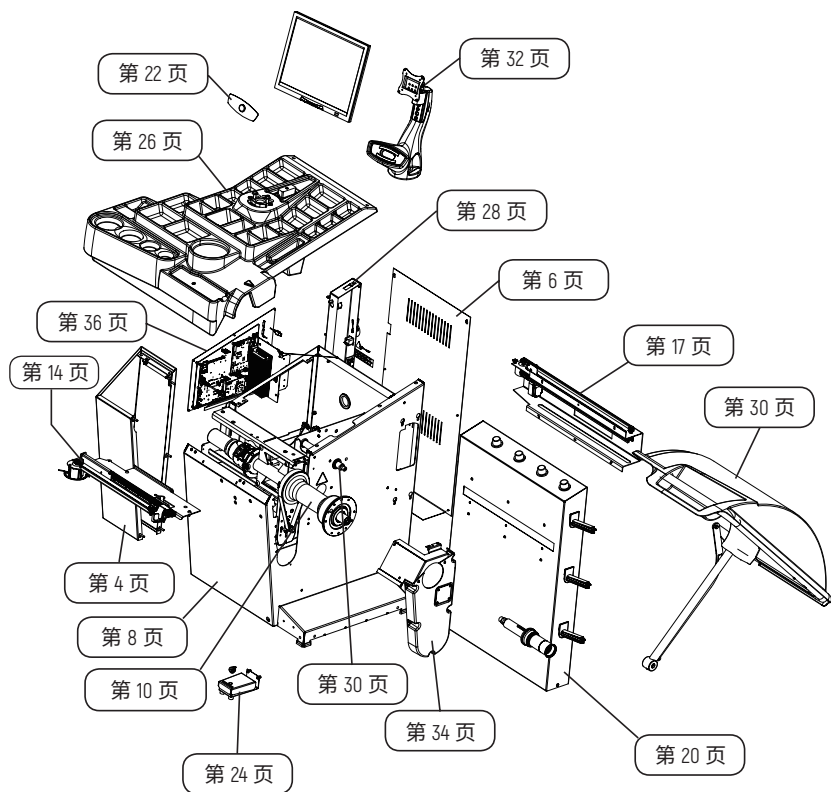




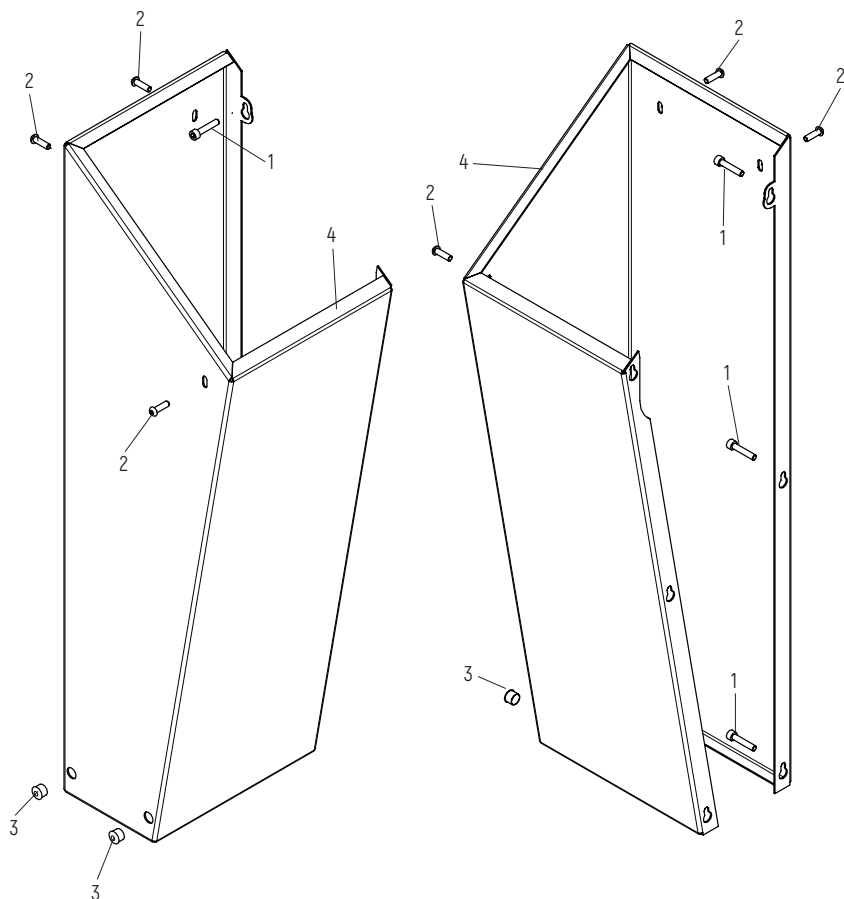
## 目 录

第一章	总装图.....	4
第二章	左边罩.....	5
第三章	背板.....	6
第四章	机箱.....	7
第五章	转轴组件.....	9
第六章	内置激光检测装置.....	13
第七章	后置检测器.....	16
第八章	后置检测器箱体.....	19
第九章	键盘.....	21
第十章	脚踏开关.....	23
第十一章	铅块罩.....	25
第十二章	边罩.....	27
第十三章	轮胎防护罩.....	29
第十四章	显示器座组件.....	31
第十五章	照明组件.....	33
第十六章	控制电路.....	35
第十七章	电路连接图.....	37

# 第一章 总装图

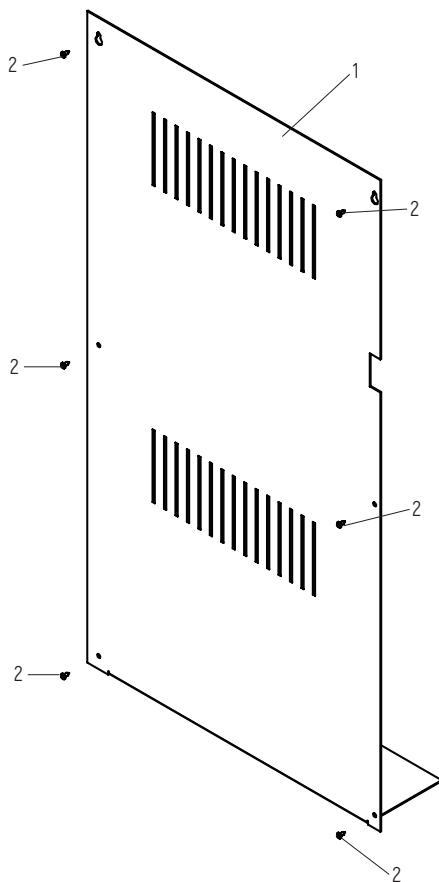


## 第二章 左边罩



图号	配件编号	中文品名
1	PAE1031H-0801	内六角螺丝 M6X30
2	PAE2031-0304	圆头螺丝 M6X30
3	PAE2031-06	压帽
4	PAE2031-07	左边罩

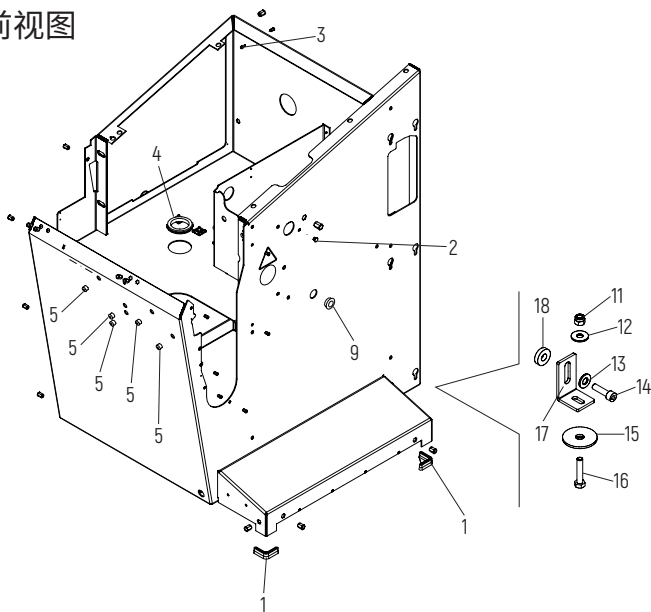
### 第三章 背板



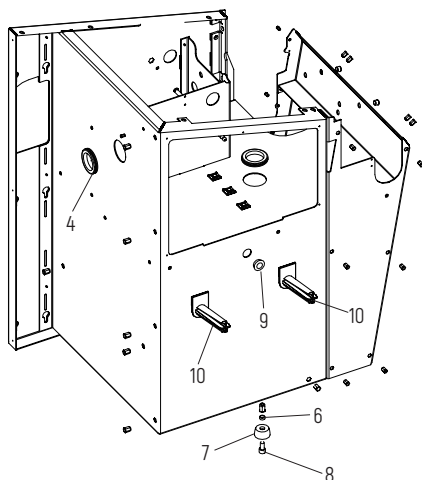
图号	配件编号	中文品名
1	PAE2031-08	背板
2	PAE2031-09	圆头螺丝 D 3.9X9.5

# 第四章 机箱

前视图



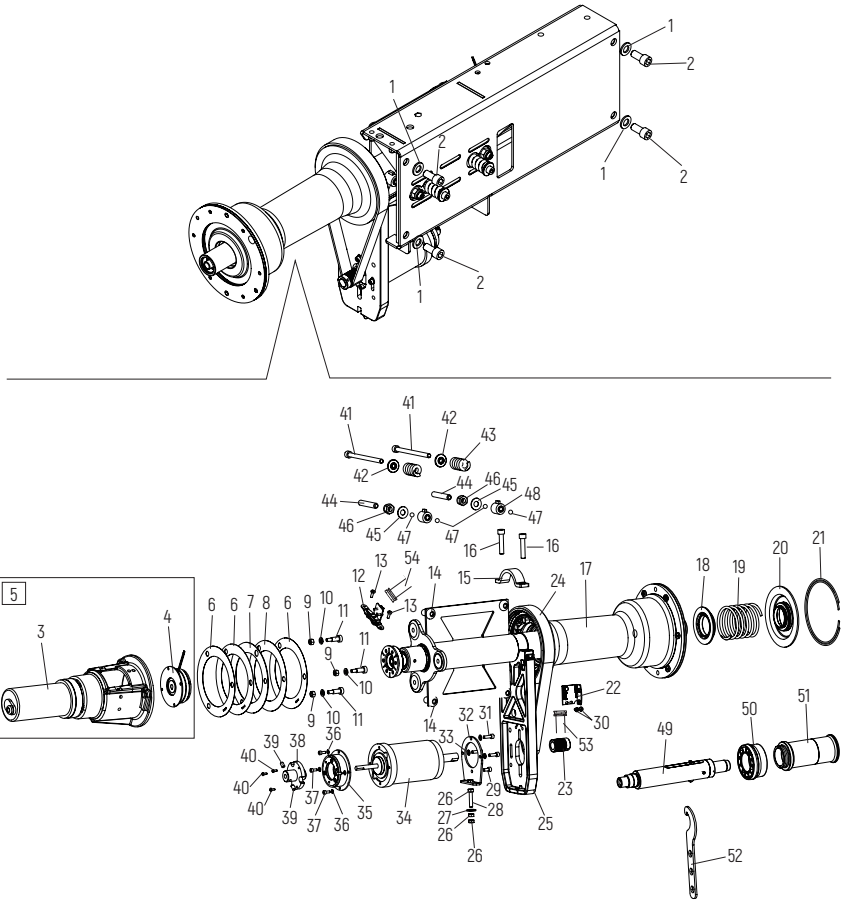
后视图



图号	配件编号	中文品名
1	PAE2031-10	脚垫 35X35
2	PAE2031-11	塑料压帽
3	PAE2031-12	内六角螺丝 M4X10
4	PAE2031-13	胶圈
5	PAE2031-06	压帽
6	PAE2031-14	垫圈
7	PAE2031-15	脚垫
8	PAE1031H-1017	内六角螺丝 M10X20
9	PAE2031-16	压帽
10	PAE2031-17	滑动凸架
11	PAE1031H-0107	自锁紧螺母 M8
12	PAE1031H-109	平垫圈
13	PAE1031H-73	平垫圈
14	PAE2031-18	内六角螺丝 M10X30
15	PAE2031-19	平垫圈
16	PAE2031-20	六角头螺栓 M8X40
17	PAE2031-21	固定支架
18	PAE2031-22	尼龙垫圈



## 第五章 转轴组件

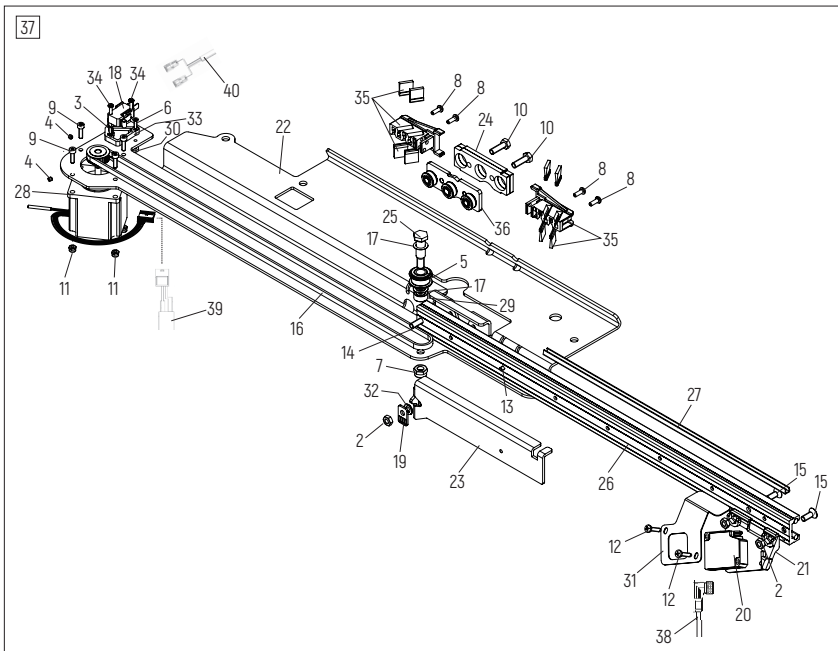
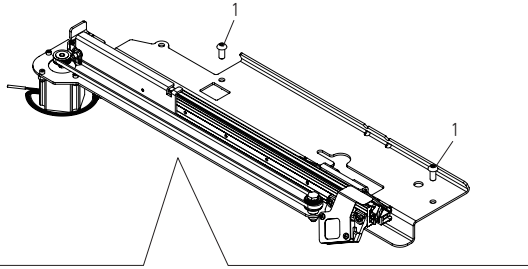


图号	配件编号	中文品名
1	PAE1031H-103	平垫圈
2	PAE2031-23	内六角螺丝 M12X25
3	PAE2031-0101	马达变速箱
4	PAE2031-0102	离合器
5	PAE2031-01	变速箱总成
6	PAE2031-24	平垫片
7	PAE2031-25	平垫片
8	PAE2031-26	平垫片
9	PAE1032H-79	自锁紧六角螺母 M6
10	PAE1031H-0102	平垫圈
11	PAE2031-27	特制螺丝 8X16 M6
12	PAE2031-28	反射编码器电路板
13	PAE2031-29	圆头十字螺丝 M4X12
14	PAE2031-30	圆头螺丝 M12X25
15	PAE2031-31	电机固定板
16	PAE2031-32	内六角螺丝 1/2F M8X40
17	PAE2031-33	转轴组件 C
18	PAE2031-34	弹簧阀座压板 D40
19	PAE2031-35	弹簧 D4.8X66X121
20	PAE2031-36	弹簧阀座压板 D40
21	PAE2031-37	弹性环 D127.5X2.5
22	PAE2031-38	扫描电路板
23	PAE2031-39	皮带轮
24	PAE2031-40	皮带

图号	配件编号	中文品名
25	PAE2031-41	电机座
26	PAE1031H-87	六角螺母 M6
27	PAE1032H-69	平垫圈
28	PAE2031-42	六角头螺栓 M6X50
29	PAE1031H-2203	内六角螺丝 M5X10
30	PAE2031-43	圆头自攻螺丝 M4X6
31	PAE1031H-128	内六角螺丝 M5X20
32	PAE2031-44	电机法兰盘
33	PAE2031-45	平垫圈
34	PAE2031-46	电机 48V
35	PAE2031-47	刹车
36	PAE2031-0507	平垫圈
37	PAE2031-12	内六角螺丝 M4X10
38	PAE2031-48	轮闸
39	PAE2031-49	沉头螺丝 M6X9
40	PAE2031-50	圆头自攻螺丝 M3X8
41	PAE2031-51	内六角螺丝 M8X120
42	PAE2031-52	弹簧衬套
43	PAE2031-53	弹簧 D.6X25X41
44	PAE2031-54	沉头螺丝 M10X60
45	PAE2031-55	弹簧 D.10.2X23X1.25
46	PAE1031H-148	自锁紧螺母 M10
47	PAE2031-56	球 5/16"
48	PAE2031-57	固定座

图号	配件编号	中文品名
49	PAE2031-58	轮毂锁紧轴
50	PAE2031-59	轮隔片
51	PAE2031-60	耦合齿轮
52	PAE2031-61	专用扳手
53	PAE2031-62	扁平电缆 8 芯 L.1100mm
54	PAE2031-63	扁平电缆 4 芯 L.800mm

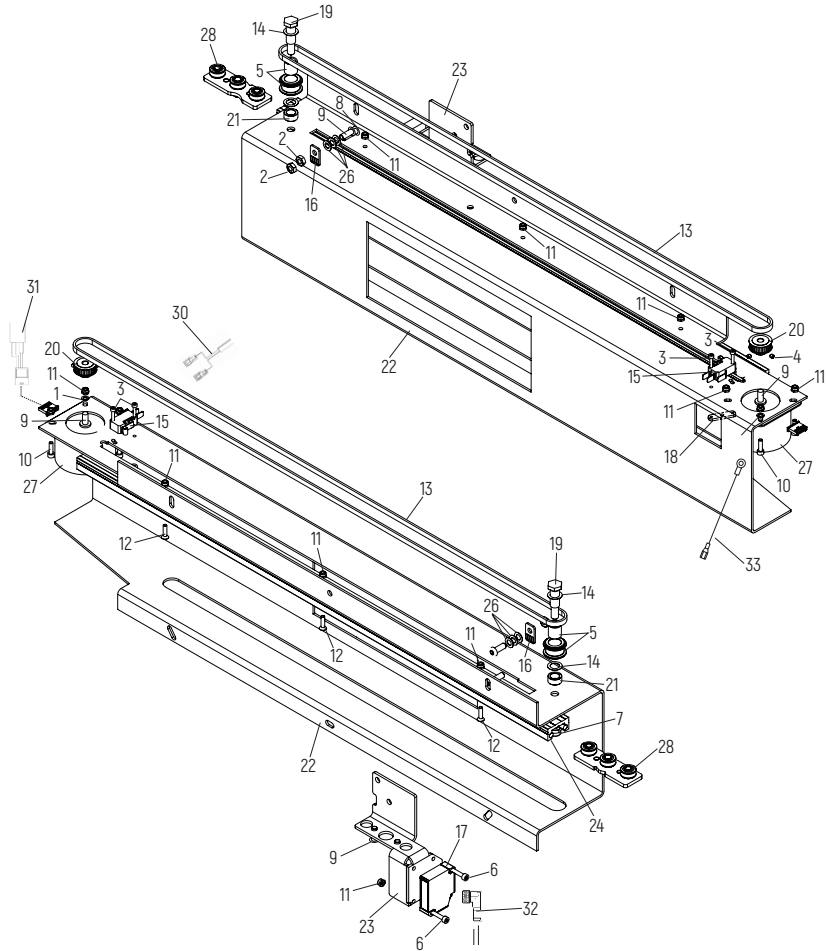
## 第六章 内置激光检测装置



图号	配件编号	中文品名
1	PAE2031-64	圆头螺丝 M8X18
2	PAE2031-0201	六角螺母 M6
3	PAE1031H-2104	平垫圈
4	PAE2031-0202	圆头六角沉头螺丝 M4X4
5	PAE2031-0203	皮带轮 (带座)
6	PAE2031-0204	沉头螺丝 M3X12
7	PAE1031H-135	自锁紧六角螺母 M8
8	PAE2031-0205	螺旋椎体 M4X12
9	PAE2031-0206	内六角螺丝 M4X14
10	PAE1031H-0109	六角头螺栓 M6X20
11	PAE1032H-3302	自锁紧六角螺母 M4
12	PAE2031-0207	螺旋椎体 M4X20
13	PAE1032H-0715	沉头螺丝 M6X20
14	PAE2031-0208	沉头螺丝 M4X8
15	PAE2031-0209	沉头螺丝 M6X16
16	PAE2031-0210	皮带
17	PAE1032H-0712	平垫圈
18	PAE2031-0211	微型开关
19	PAE2031-0212	皮带导向盘
20	PAE2031-0213	激光传感器
21	PAE2031-0214	激光传感器座
22	PAE2031-0215	保护板
23	PAE2031-0216	皮带罩
24	PAE2031-0217	托盘 5mm

图号	配件编号	中文品名
25	PAE2031-0218	偏心销 D.10 M8
26	PAE2031-0219	前护板
27	PAE2031-0220	线槽
28	PAE2031-0221	电机 (含皮带轮)
29	PAE2031-0222	隔圈 D.10X15X6.5
30	PAE2031-0223	微型调节片
31	PAE2031-0224	激光头罩
32	PAE2031-0225	平垫圈
33	PAE2031-0226	小支架
34	PAE2031-0227	圆头螺丝 M3X14
35	PAE2031-0228	叶片导向座
36	PAE2031-0229	导轮组
37	PAE2031-02	激光检测装置组件
38	PAE2031-0230	激光传感器线缆
39	PAE2031-0231	线缆 4X0.22 6P L.650mm
40	PAE2031-0232	线缆 2P L.1400mm

# 第七章 后置检测器



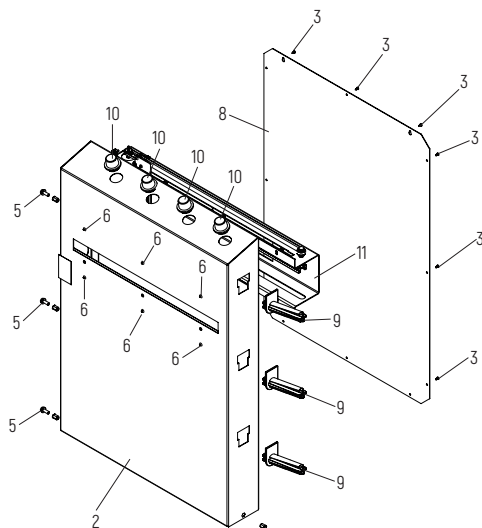


图号	配件编号	中文品名
1	PAE2031-0301	平垫圈
2	PAE2031-0201	六角螺母 M6
3	PAE2031-0302	内六角螺丝 M3X16
4	PAE2031-0202	圆头六角沉头螺丝 M4X5
5	PAE2031-0203	皮带轮 (带座)
6	PAE2031-0303	内六角螺丝 M4X25
7	PAE1031H-135	自锁紧六角螺母 M8
8	PAE2031-0304	圆头螺丝 M6X20
9	PAE2031-0305	圆头螺丝 M6X16
10	PAE2031-0206	内六角螺丝 M4X14
11	PAE1032H-3302	自锁紧六角螺母 M4
12	PAE2031-0306	沉头螺丝 M4X16
13	PAE2031-0307	皮带
14	PAE1032H-0712	平垫圈
15	PAE2031-0211	微型开关
16	PAE2031-0212	皮带导向盘
17	PAE2031-0213	激光传感器
18	PAE2031-0308	微型调节片
19	PAE2031-0218	偏心销 D.10 M8
20	PAE2031-0309	皮带轮
21	PAE2031-0222	隔圈 D.10X15X6.5
22	PAE2031-0310	检测器后支架
23	PAE2031-0311	传感器支架
24	PAE2031-0312	下导轨

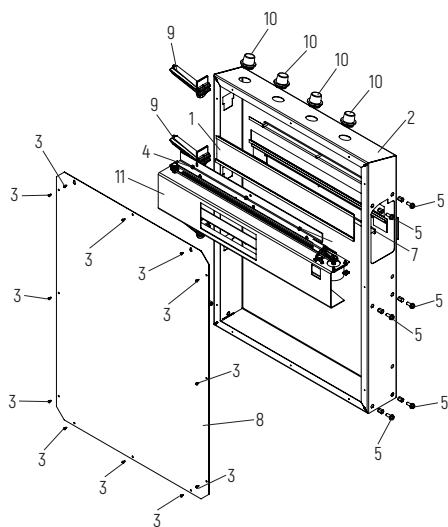
图号	配件编号	中文品名
26	PAE2031-0225	平垫圈
27	PAE2031-0313	电机 48PP
28	PAE2031-0229	导轮组
29	PAE2031-03	后置检测器组件
30	PAE2031-0314	线缆 2P L1200mm
31	PAE2031-0315	线缆 4X0.22 6P L.900mm
32	PAE2031-0230	激光传感器线缆
33	PAE2031-0316	线缆

## 第八章 后置检测器箱体

正视图

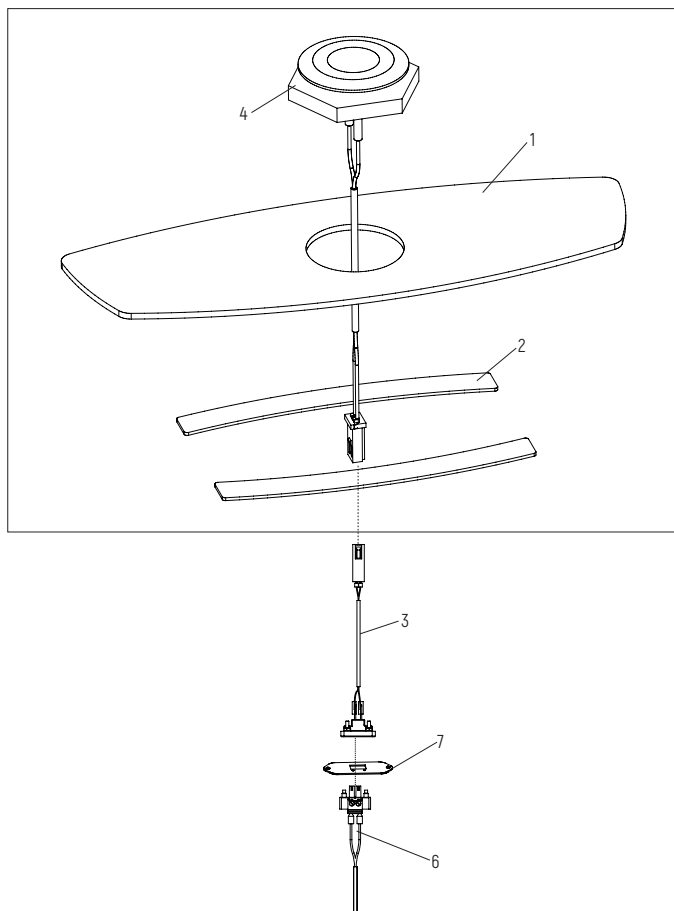


后视图



图号	配件编号	中文品名
1	PAE2031-65	玻璃片
2	PAE2031-66	罩壳 (含标签)
3	PAE2031-09	圆头螺丝 3.9X9.5
4	PAE1032H-1418	自锁紧六角螺母 M6
5	PAE2031-67	内六角螺丝 M8X20
6	PAE2031-0304	圆头螺丝 M6X20
7	PAE2031-68	垫板
8	PAE2031-69	背板
9	PAE2031-17	滑动凸架
10	PAE2031-70	锥托架
11	PAE2031-03	后置检测器组件

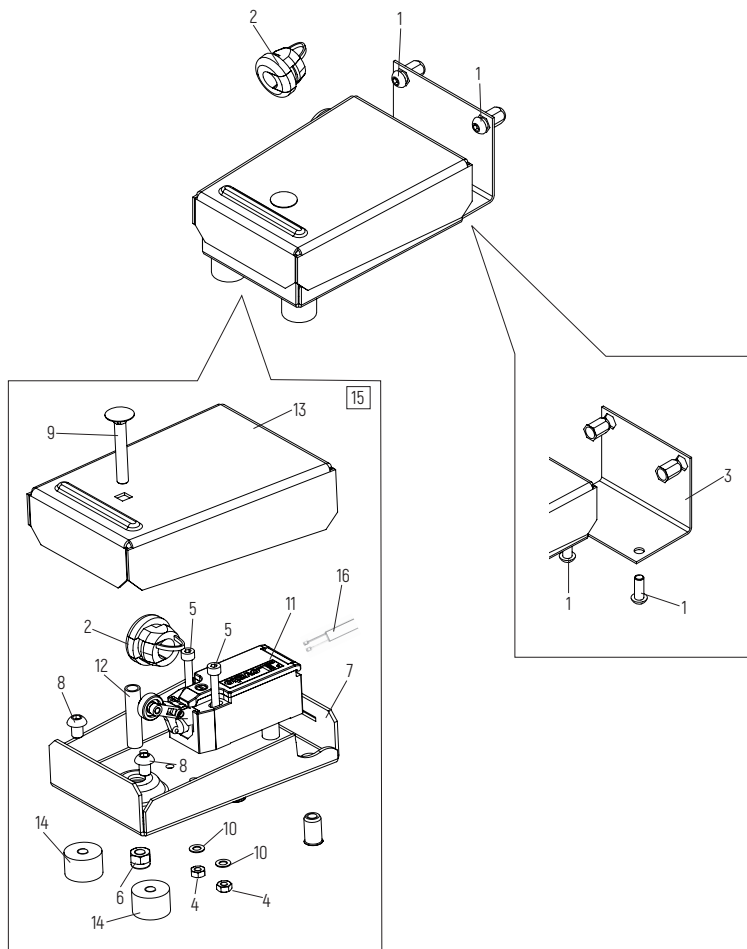
# 第九章 键盘





图号	配件编号	中文品名
1	PAE2031-0401	支撑板
2	PAE2031-0402	双重锁定标签
3	PAE2031-71	线缆 2X0.34 L.360mm
4	PAE2031-0403	按钮 (含线缆)
5	PAE2031-04	按键组件
6	PAE2031-72	线缆 2x0.34 L. 1100mm
7	PAE2031-73	片

# 第十章 脚踏开关

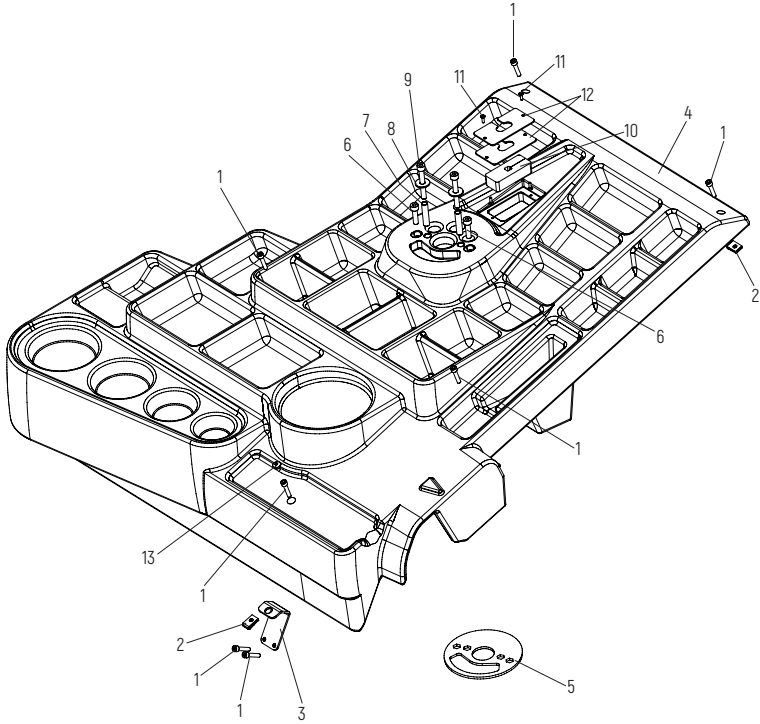




图号	配件编号	中文品名
1	PAE2031-0305	圆头螺丝 M6X16
2	PAE2031-0501	电缆接头
3	PAE2031-74	踏板连接件
4	PAE2031-0502	六角螺母 M4
5	PAE2031-0503	内六角螺丝 1/2F M4X30
6	PAE1031H-0105	自锁紧六角螺母 M6
7	PAE2031-0504	下连接片
8	PAE2031-0505	圆头螺丝 M6X8
9	PAE2031-0506	螺丝 1/2F M6X40
10	PAE2031-0507	平垫圈
11	PAE2031-0508	微动开关 10A
12	PAE2031-0509	隔圈 D.8X6X30
13	PAE2031-0510	上连接片
14	PAE1031H-2207	减震垫 20X13 M6X6
15	PAE2031-05	踏板组件
16	PAE2031-0511	线缆 2X1 L1500mm

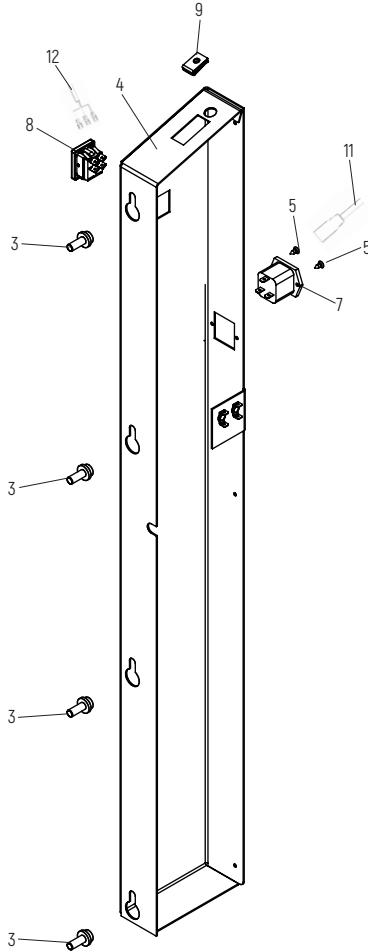


# 第十一章 铅块罩



图号	配件编号	中文品名
1	PAE1031H-0801	内六角螺丝 M6X30
2	PAE1031H-1415	插片 M6
3	PAE2031-75	固定片
4	PAE2031-76	铅块罩
5	PAE2031-77	片
6	PAE2031-78	内六角螺丝 M8X30
7	PAE2031-79	隔圈 D.8.1X10X44
8	PAE1031H-109	平垫圈
9	PAE2031-80	内六角螺丝 M8X60
10	PAE2031-81	帽
11	PAE2031-0205	螺旋椎体 D4X12
12	PAE2031-82	线缆盘
13	PAE2031-83	压帽 D11.1

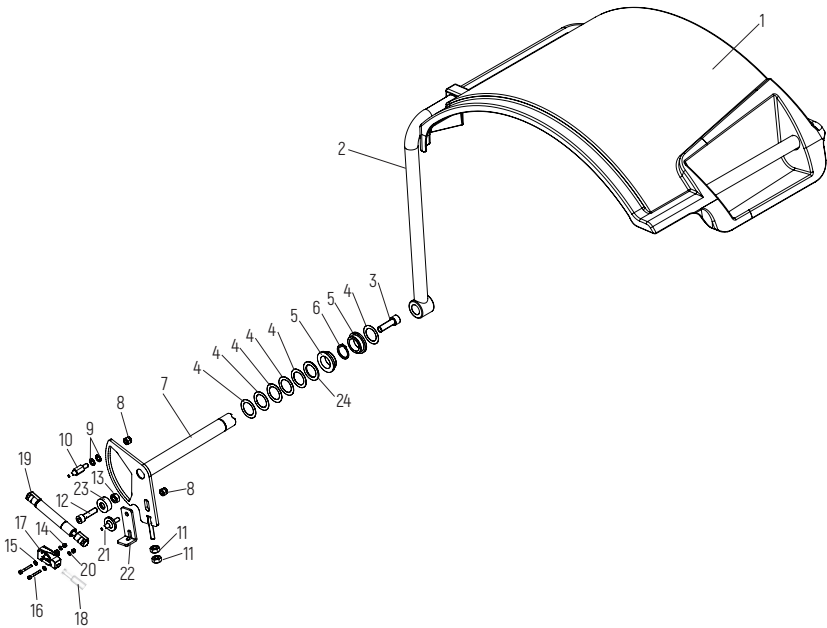
# 第十二章 边罩



图号	配件编号	中文品名
3	PAE2031-67	内六角螺丝 M8X20
4	PAE2031-84	边罩
5	PAE2031-85	沉头自攻螺丝 D.3.9X9.5
7	PAE2031-86	单相插座 10A-250V
8	PAE2031-87	开关
9	PAE1031H-1415	插片 M6
11	PAE2031-88	线缆 2-2.5MT
12	PAE2031-89	VDE 电源线

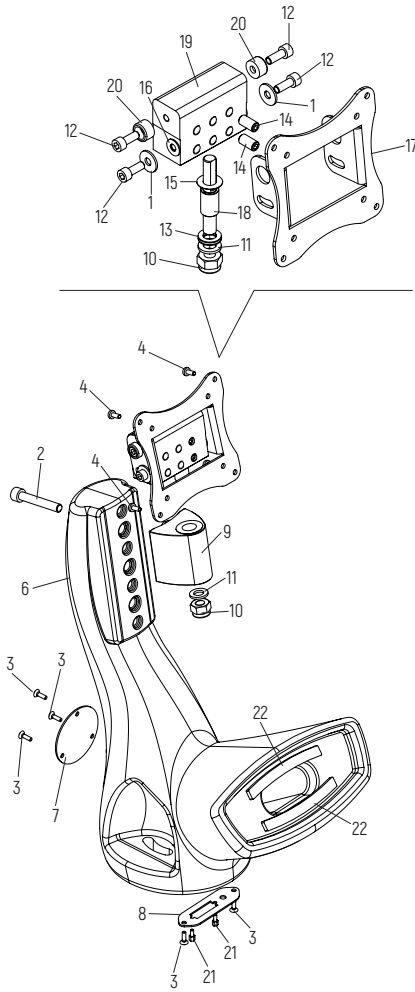


### 第十三章 轮胎防护罩



图号	配件编号	中文品名
1	PAE2031-90	车轮保护罩 44"
2	PAE2031-91	防护罩弯管
3	PAE2031-92	内六角螺丝 M12X40
4	PAE2031-93	平垫圈
5	PAE2031-94	衬套 D.28X38X13
6	PAE2031-95	挡圈 D.28
7	PAE2031-96	销子
8	PAE1031H-0107	自锁紧六角螺母 M8
9	PAE2031-97	平垫圈
10	PAE2031-98	连接件 M8 D.10
11	PAE1031H-102	六角螺母 M8
12	PAE2031-99	六角头螺丝 M10X25
13	PAE1031H-52	六角螺母 M10
14	PAE1032H-3302	自锁紧六角螺母 M4
15	PAE1031H-2005	平垫圈
16	PAE1031H-160	内六角螺丝 1/2F M4X30
17	PAE1031H-161	微动开关 16A
18	PAE2031-100	线缆 2P L1400mm
19	PAE2031-101	气弹簧
20	PAE1031H-2910	平垫圈
21	PAE2031-102	连接件 M8
22	PAE2031-103	弹簧支架
23	PAE2031-104	衬垫 D.30X13
24	PAE2031-105	平垫圈

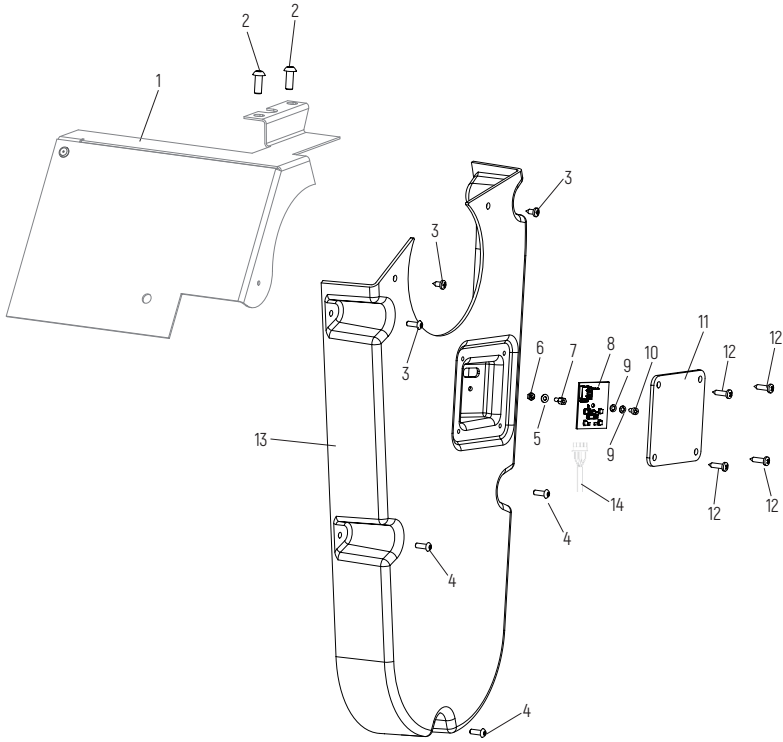
# 第十四章 显示器座组件



图号	配件编号	中文品名
1	PAE2031-106	平垫圈
2	PAE1031H-251	内六角螺丝 M8X50
3	PAE2031-107	圆头沉头螺丝 D.3.5X12
4	PAE2031-108	圆头十字螺丝 M4X10
6	PAE2031-109	显示器座
7	PAE2031-110	锁紧片
8	PAE2031-111	固定片
9	PAE2031-112	垫块
10	PAE1031H-148	自锁紧螺母 M10
11	PAE2031-113	平垫圈
12	PAE1031H-0815	内六角螺丝 M6X16
13	PAE2031-114	平垫圈
14	PAE2031-115	沉头螺丝 M8X16
15	PAE2031-116	平垫圈
16	PAE2031-117	平垫圈
17	PAE2031-118	显示器卡板
18	PAE2031-119	竖销
19	PAE2031-120	本体连接件
20	PAE2031-121	轴衬支架连接件
21	PAE2031-122	支柱
22	PAE2031-123	标贴



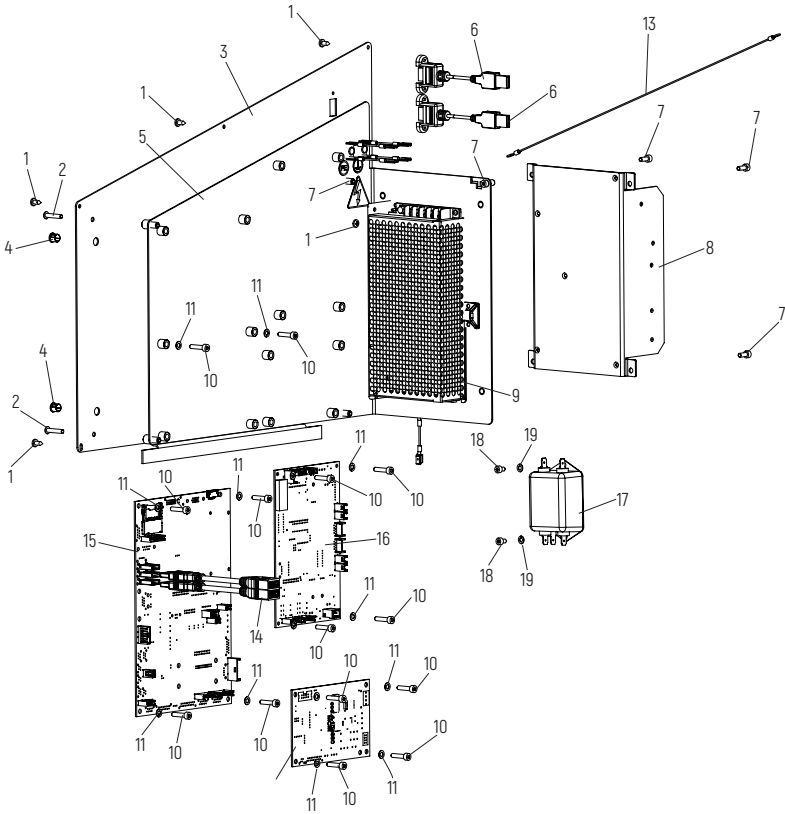
# 第十五章 照明组件





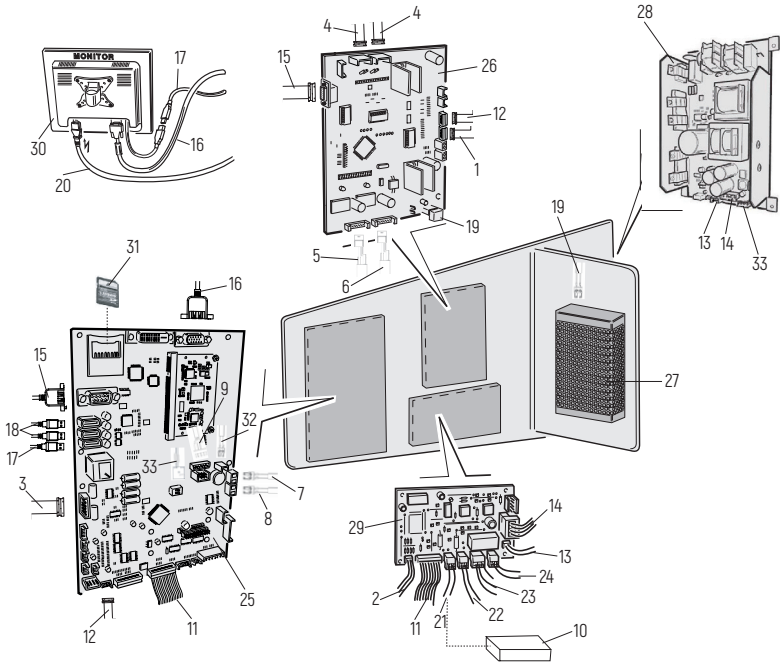
图号	配件编号	中文品名
1	PAE2031-124	保护罩
2	PAE2031-0305	圆头螺丝 M6X16
3	PAE2031-09	圆头螺丝 3.9X9.5
4	PAE2031-125	圆头螺丝 M4X12
5	PAE1031H-2104	平垫圈
6	PAE1031H-2612	六角螺母 M3
7	PAE2031-126	支柱 M3
8	PAE2031-127	照明电路板
9	PAE2031-128	平垫圈
10	PAE2031-129	内六角螺丝 M3X6
11	PAE2031-130	防护板
12	PAE2031-131	圆头螺丝 D.3.9X16
13	PAE2031-132	外罩
14	PAE2031-133	线缆 L.2000mm

# 第十六章 控制电路



图号	配件编号	中文品名
1	PAE2031-09	圆头螺丝 3.9X9.5
2	PAE2031-134	圆头螺丝 M4X20
3	PAE2031-135	锁紧板
4	PAE2031-136	黑色压帽 D.7.9
5	PAE2031-137	支撑板
6	PAE2031-138	USB 线缆
7	PAE2031-12	内六角螺丝 M4X10
8	PAE2031-139	电路板
9	PAE2031-140	电源 150W 24V
10	PAE2031-141	内六角螺丝 M4X18
11	PAE2031-142	平垫圈
12	PAE2031-143	电机控制板
13	PAE2031-144	线缆
14	PAE2031-145	USB 扩展槽
15	PAE2031-146	电路板
16	PAE2031-147	电路板
17	PAE2031-148	整流器 115/250V 6A
18	PAE2031-149	内六角螺丝 M4X6
19	PAE2031-142	平垫圈

## 第十七章 电路连接图



图号	配件编号	中文品名
1	PAE2031-62	扁平电缆 8 芯 L.1100mm
2	PAE2031-63	扁平电缆 4 芯 L.800mm
3	PAE2031-57	固定座
4	PAE2031-0230	激光传感器线缆
5	PAE2031-0231	线缆 4X0.22 6P L.650mm
6	PAE2031-0315	线缆 4X0.22 6P L.900mm
7	PAE2031-150	线缆 2x0.34 L.1100mm
8	PAE2031-0511	线缆 2X1 L.1500mm
9	PAE2031-133	线缆 L.2000mm
10	PAE2031-151	电感滤波器
11	PAE2031-152	扁平线缆 9-WAY L.250mm
12	PAE2031-153	扁平 线缆 8-WAY L.650mm
13	PAE2031-154	电源线 6X0.22 L.510mm
14	PAE2031-155	电源线 SWITCH-MCM 48V
15	PAE2031-156	9 针排线 L.2000mm
16	PAE2031-157	延长线 15HD L.3000mm
17	PAE2031-145	USB 扩展槽
18	PAE2031-138	USB 线缆
19	PAE1031H-186	线缆 2P L.500mm
20	PAE2031-89	VDE 电源线
21	PAE2031-47	刹车
22	PAE2031-0102	离合器
23	PAE2031-46	电机 48V
24	PAE2031-0101	马达变速箱

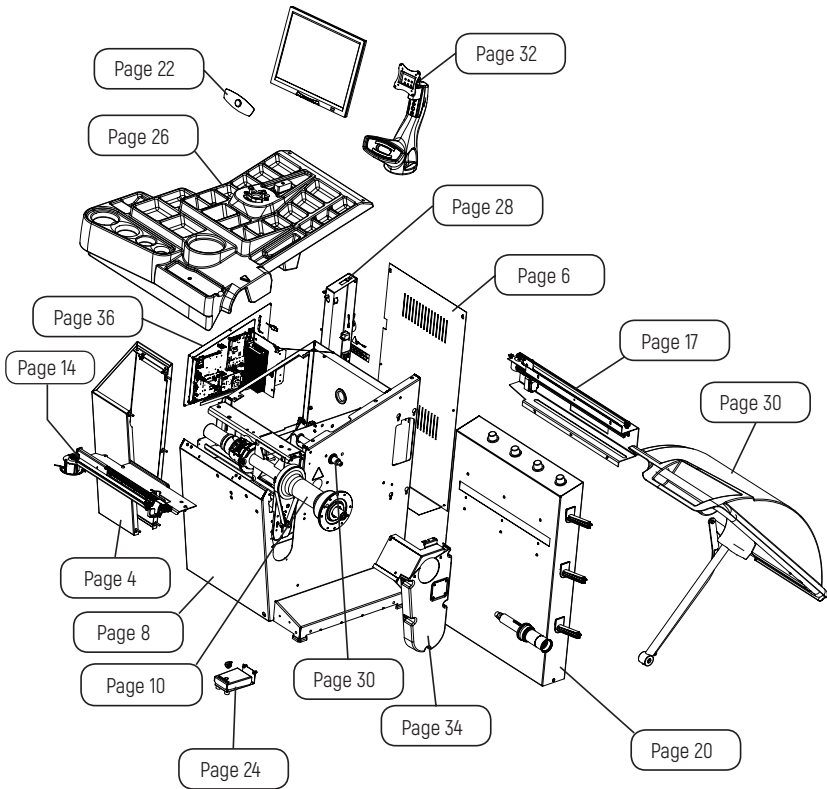
图号	配件编号	中文品名
25	PAE2031-146	电路板
26	PAE2031-147	电路板
27	PAE2031-140	电源 150W 24V
28	PAE2031-139	电路板
29	PAE2031-143	电机控制板
30	PAE2031-158	LCD 触摸屏工业级显示器
31	PAE2031-159	标贴
32	PAE2031-100	线缆 2P L:1400mm
33	PAE2031-160	线缆 2XAWG 22 L:400mm

## Table of Contents

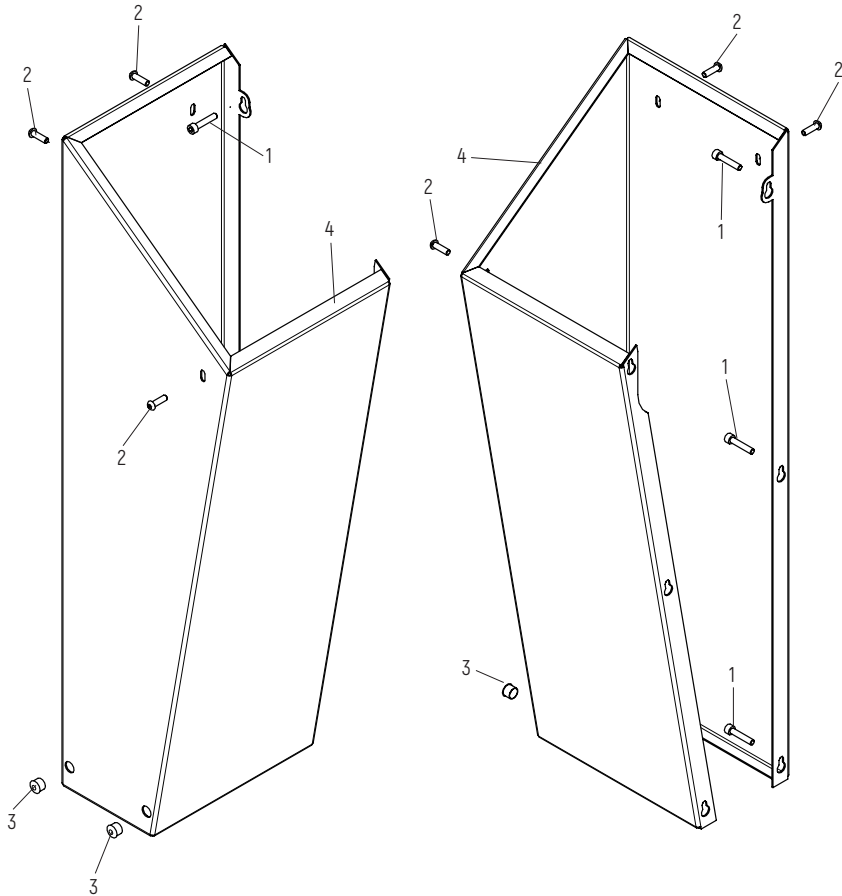
Chapter I	General Assembly Drawing .....	41
Chapter II	Left side shield .....	42
Chapter III	Back panel .....	43
Chapter IV	Case .....	44
Chapter V	Rotary shaft assembly .....	46
Chapter VI	Built-in laser detector .....	50
Chapter VII	Rear detector .....	53
Chapter VIII	Rear detector case .....	56
Chapter IX	Keyboard .....	58
Chapter X	Pedal switch .....	60
Chapter XI	Lead block shield .....	62
Chapter XII	Side shield .....	64
Chapter XIII	Wheel guard .....	66
Chapter XIV	Display seat assembly .....	68
Chapter XV	Lighting assembly .....	70
Chapter XVI	Control circuit .....	72
Chapter XVII	Circuit diagram .....	74



# Chapter I General Assembly Drawing

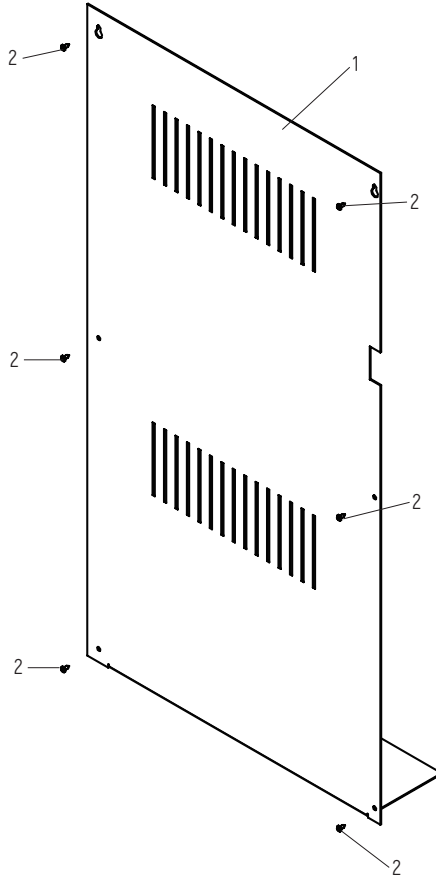


## Chapter II Left side shield



Drawing No.	Accessory No.	Chinese Product Name
1	PAE1031H-0801	Hexagon socket screw M6X30
2	PAE2031-0304	Round head screw M6X30
3	PAE2031-06	Lock nut
4	PAE2031-07	Left side shield

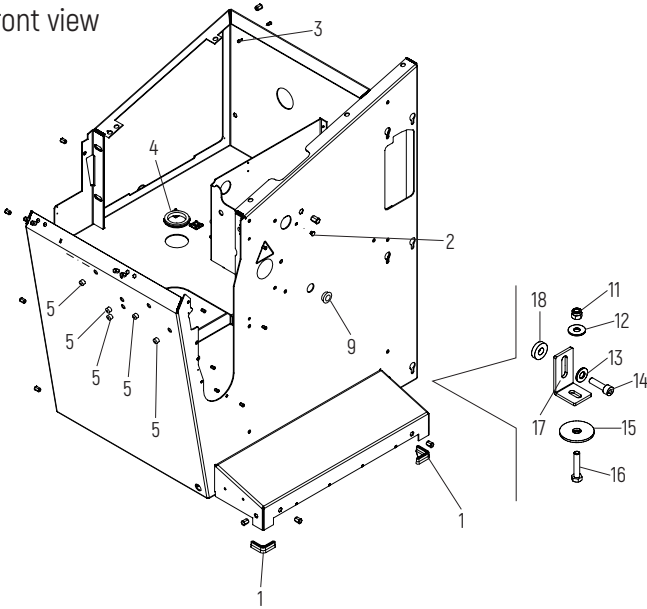
**Chapter III Back panel**



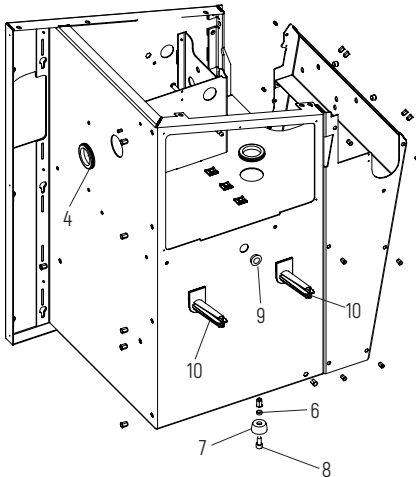
Drawing No.	Accessory No.	Chinese Product Name
1	PAE2031-08	Back panel
2	PAE2031-09	Round head screw D 3.9X9.5

**Chapter IV Case**

Front view

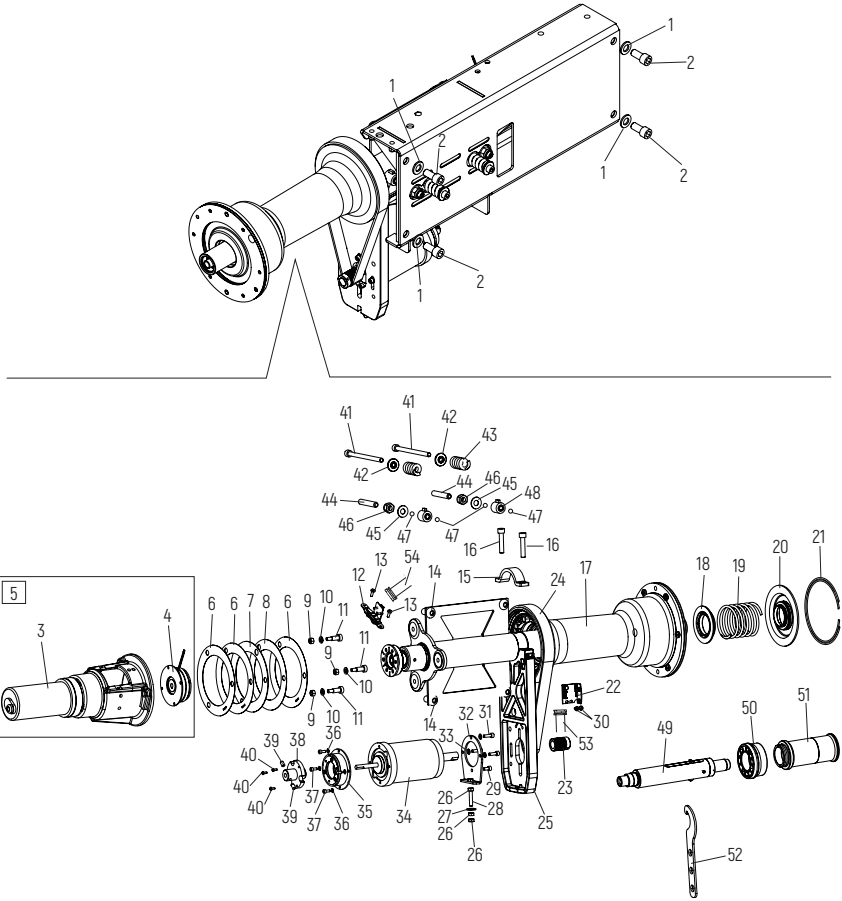


Rear view



<b>Drawing No.</b>	<b>Accessory No.</b>	<b>Chinese Product Name</b>
1	PAE2031-10	Foot mat 35X35
2	PAE2031-11	Plastic lock nut
3	PAE2031-12	Hexagon socket screw M4X10
4	PAE2031-13	Rubber ring
5	PAE2031-06	Lock nut
6	PAE2031-14	Washer
7	PAE2031-15	Foot mat
8	PAE1031H-1017	Hexagon socket screw M10X20
9	PAE2031-16	Lock nut
10	PAE2031-17	Sliding convex frame
11	PAE1031H-0107	Self-locking nut M8
12	PAE1031H-109	Plain washer
13	PAE1031H-73	Plain washer
14	PAE2031-18	Hexagon socket screw M10X30
15	PAE2031-19	Plain washer
16	PAE2031-20	Hexagon bolt M8X40
17	PAE2031-21	Fixing bracket
18	PAE2031-22	Nylon washer

## Chapter V Rotary shaft assembly



<b>Drawing No.</b>	<b>Accessory No.</b>	<b>Chinese Product Name</b>
1	PAE1031H-103	Plain washer
2	PAE2031-23	Hexagon socket screw M12X25
3	PAE2031-0101	Motor transmission
4	PAE2031-0102	Clutch
5	PAE2031-01	Transmission assembly
6	PAE2031-24	Plain washer
7	PAE2031-25	Plain washer
8	PAE2031-26	Plain washer
9	PAE1032H-79	Self-locking hexagon nut M6
10	PAE1031H-0102	Plain washer
11	PAE2031-27	Special screw 8X16 M6
12	PAE2031-28	Reflection encoder circuit board
13	PAE2031-29	Round head Phillips screw M4X12
14	PAE2031-30	Round head screw M12X25
15	PAE2031-31	Motor fixing plate
16	PAE2031-32	Hexagon socket screw 1/2F M8X40
17	PAE2031-33	Rotary shaft assembly C
18	PAE2031-34	Spring valve seat clipper D40
19	PAE2031-35	Spring D.4.8X66X121
20	PAE2031-36	Spring valve seat clipper D40
21	PAE2031-37	Elastic ring D.127.5X2.5
22	PAE2031-38	Scanning circuit board
23	PAE2031-39	Pulley
24	PAE2031-40	Belt



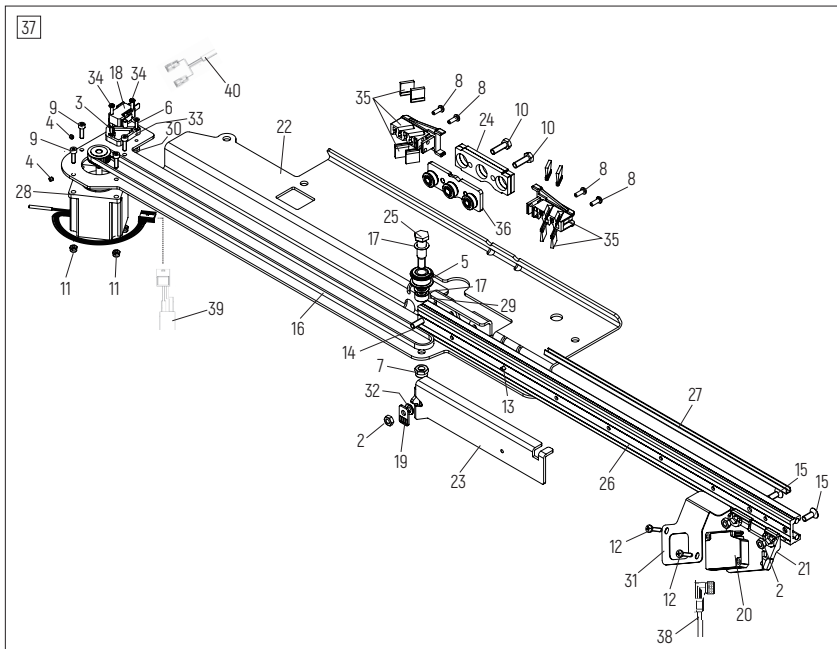
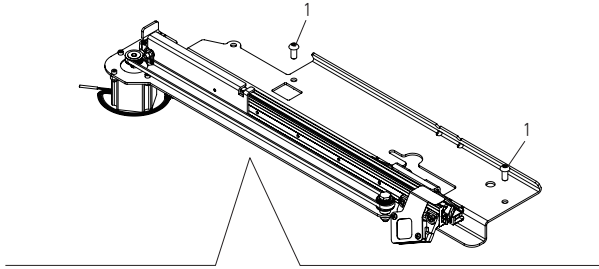
Drawing No.	Accessory No.	Chinese Product Name
25	PAE2031-41	Motor seat
26	PAE1031H-87	Hexagon nut M6
27	PAE1032H-69	Plain washer
28	PAE2031-42	Hexagon bolt M6X50
29	PAE1031H-2203	Hexagon socket screw M5X10
30	PAE2031-43	Round head tapping screw M4X6
31	PAE1031H-128	Hexagon socket screw M5X20
32	PAE2031-44	Motor flange
33	PAE2031-45	Plain washer
34	PAE2031-46	Motor 48V
35	PAE2031-47	Brake
36	PAE2031-0507	Plain washer
37	PAE2031-12	Hexagon socket screw M4X10
38	PAE2031-48	Wheel brake
39	PAE2031-49	Countersunk screw M6X9
40	PAE2031-50	Round head tapping screw M3X8
41	PAE2031-51	Hexagon socket screw M8X120
42	PAE2031-52	Spring bushing
43	PAE2031-53	Spring D.6X25X41
44	PAE2031-54	Countersunk screw M10X60
45	PAE2031-55	Spring D.10.2X23X1.25
46	PAE1031H-148	Self-locking nut M10
47	PAE2031-56	Ball 5/16"
48	PAE2031-57	Mount





<b>Drawing No.</b>	<b>Accessory No.</b>	<b>Chinese Product Name</b>
49	PAE2031-58	Hub locking shaft
50	PAE2031-59	Wheel spacer
51	PAE2031-60	Coupling gear
52	PAE2031-61	Special wrench
53	PAE2031-62	Flat cable 8-core L1100mm
54	PAE2031-63	Flat cable 4-core L.800mm

**Chapter VI Built-in laser detector**



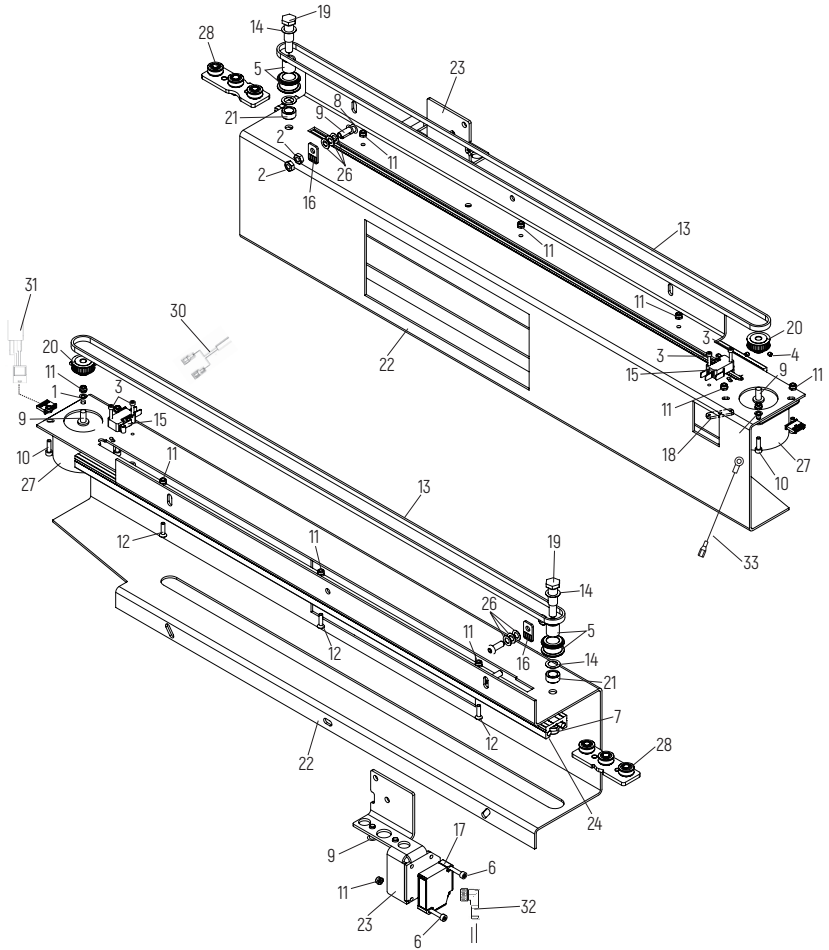


<b>Drawing No.</b>	<b>Accessory No.</b>	<b>Chinese Product Name</b>
1	PAE2031-64	Round head screw M8X18
2	PAE2031-0201	Hexagon nut M6
3	PAE1031H-2104	Plain washer
4	PAE2031-0202	Round head hexagon countersunk screw M4X4
5	PAE2031-0203	Pulley (with seat)
6	PAE2031-0204	Countersunk screw M3X12
7	PAE1031H-135	Self-locking hexagon nut M8
8	PAE2031-0205	Spiral cone M4X12
9	PAE2031-0206	Hexagon socket screw M4X14
10	PAE1031H-0109	Hexagon bolt M6X20
11	PAE1032H-3302	Self-locking hexagon nut M4
12	PAE2031-0207	Spiral cone M4X20
13	PAE1032H-0715	Countersunk screw M6X20
14	PAE2031-0208	Countersunk screw M4X8
15	PAE2031-0209	Countersunk screw M6X16
16	PAE2031-0210	Belt
17	PAE1032H-0712	Plain washer
18	PAE2031-0211	Microswitch
19	PAE2031-0212	Belt guide disc
20	PAE2031-0213	Laser sensor
21	PAE2031-0214	Laser sensor seat
22	PAE2031-0215	Protection plate
23	PAE2031-0216	Pulley cover
24	PAE2031-0217	Tray 5mm



<b>Drawing No.</b>	<b>Accessory No.</b>	<b>Chinese Product Name</b>
25	PAE2031-0218	Eccentric pin D.10 M8
26	PAE2031-0219	Front guard
27	PAE2031-0220	Wire trunk
28	PAE2031-0221	Motor (including pulley)
29	PAE2031-0222	Spacer ring D.10X15X6.5
30	PAE2031-0223	Mini shim
31	PAE2031-0224	Laser head cover
32	PAE2031-0225	Plain washer
33	PAE2031-0226	Small bracket
34	PAE2031-0227	Round head screw M3X14
35	PAE2031-0228	Blade guide seat
36	PAE2031-0229	Guide wheel set
37	PAE2031-02	Built-in laser detector assembly
38	PAE2031-0230	Laser sensor cable
39	PAE2031-0231	Cable 4X0.22 6P L.650mm
40	PAE2031-0232	Cable 2P L.1400mm

**Chapter VII Rear detector**



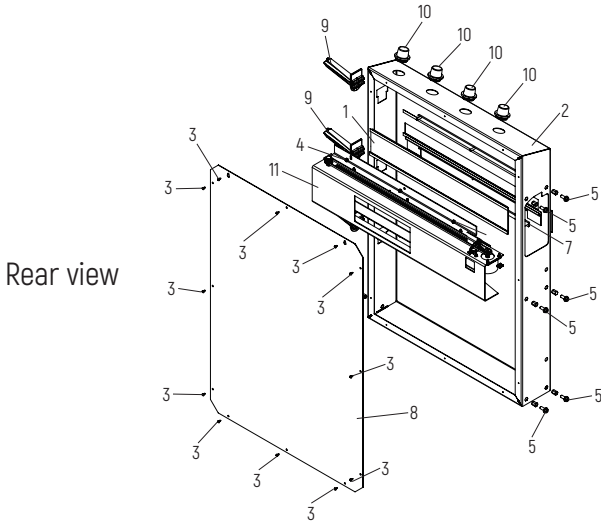
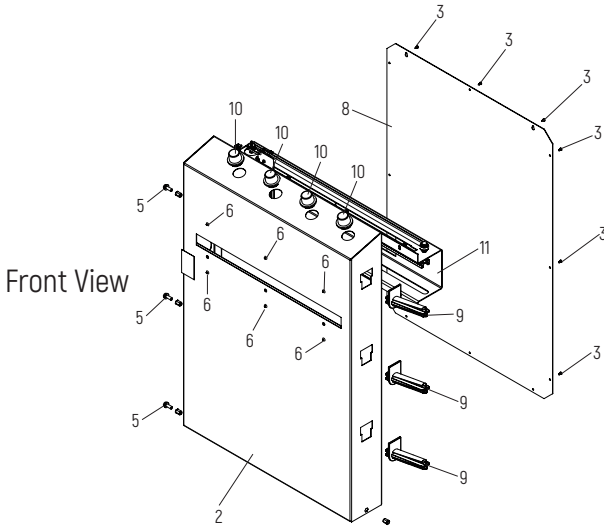


Drawing No.	Accessory No.	Chinese Product Name
1	PAE2031-0301	Plain washer
2	PAE2031-0201	Hexagon nut M6
3	PAE2031-0302	Hexagon socket screw M3X16
4	PAE2031-0202	Round head hexagon countersunk screw M4X5
5	PAE2031-0203	Pulley (with seat)
6	PAE2031-0303	Hexagon socket screw M4X25
7	PAE1031H-135	Self-locking hexagon nut M8
8	PAE2031-0304	Round head screw M6X20
9	PAE2031-0305	Round head screw M6X16
10	PAE2031-0206	Hexagon socket screw M4X14
11	PAE1032H-3302	Self-locking hexagon nut M4
12	PAE2031-0306	Countersunk screw M4X16
13	PAE2031-0307	Belt
14	PAE1032H-0712	Plain washer
15	PAE2031-0211	Microswitch
16	PAE2031-0212	Belt guide disc
17	PAE2031-0213	Laser sensor
18	PAE2031-0308	Mini shim
19	PAE2031-0218	Eccentric pin D.10 M8
20	PAE2031-0309	Pulley
21	PAE2031-0222	Spacer ring D.10X15X6.5
22	PAE2031-0310	Rear bracket of detector
23	PAE2031-0311	Sensor bracket
24	PAE2031-0312	Lower guide rail



<b>Drawing No.</b>	<b>Accessory No.</b>	<b>Chinese Product Name</b>
26	PAE2031-0225	Plain washer
27	PAE2031-0313	Motor 48PP
28	PAE2031-0229	Guide wheel set
29	PAE2031-03	Rear detector assembly
30	PAE2031-0314	Cable 2P L.1200mm
31	PAE2031-0315	Cable 4X0.22 6P L.900mm
32	PAE2031-0230	Laser sensor cable
33	PAE2031-0316	Cable

**Chapter VIII Rear detector case**

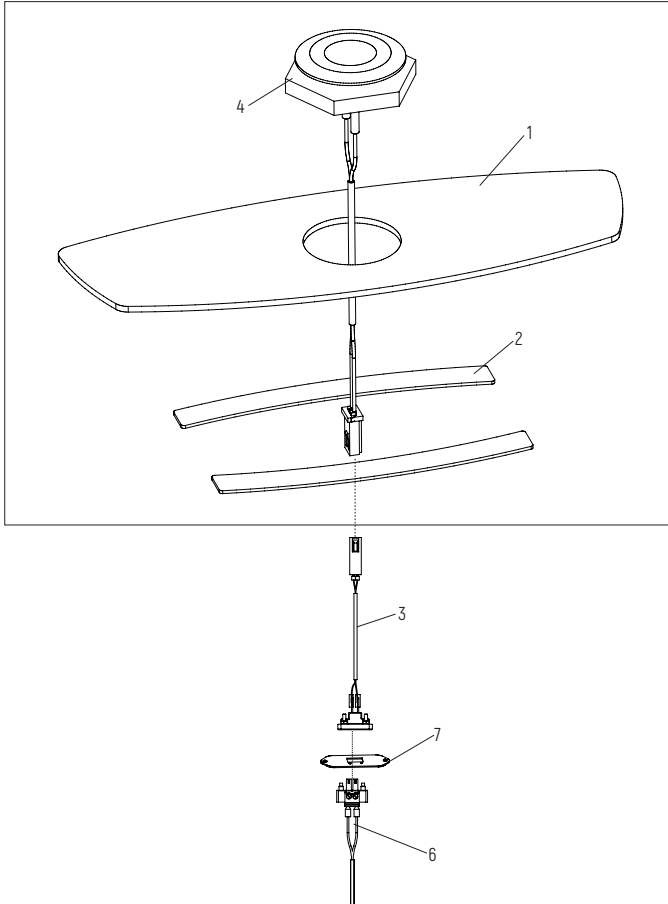






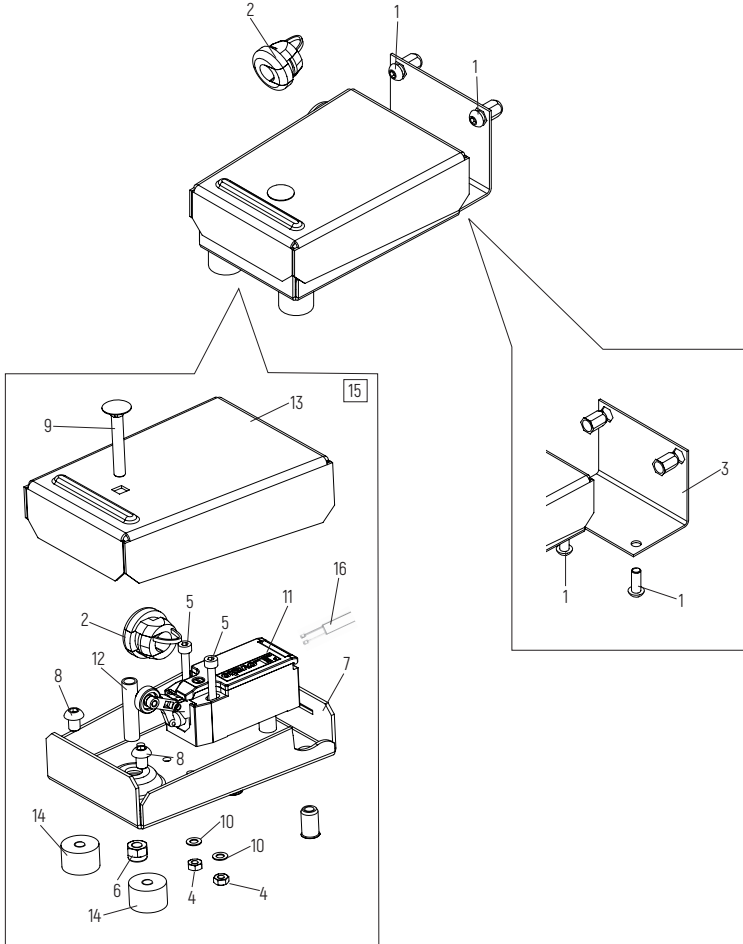
<b>Drawing No.</b>	<b>Accessory No.</b>	<b>Chinese Product Name</b>
1	PAE2031-65	Glass sheet
2	PAE2031-66	Housing (including label)
3	PAE2031-09	Round head screw 3.9X9.5
4	PAE1032H-1418	Self-locking hexagon nut M6
5	PAE2031-67	Hexagon socket screw M8X20
6	PAE2031-0304	Round head screw M6X20
7	PAE2031-68	Backup plate
8	PAE2031-69	Back panel
9	PAE2031-17	Sliding convex frame
10	PAE2031-70	Cone bracket
11	PAE2031-03	Rear detector assembly

# Chapter IX Keyboard



<b>Drawing No.</b>	<b>Accessory No.</b>	<b>Chinese Product Name</b>
1	PAE2031-0401	Supporting plate
2	PAE2031-0402	Double locking label
3	PAE2031-71	Cable 2X0.34 L.360mm
4	PAE2031-0403	Button (including cable)
5	PAE2031-04	Key assembly
6	PAE2031-72	Cable 2x0.34 L. 1100mm
7	PAE2031-73	Sheet

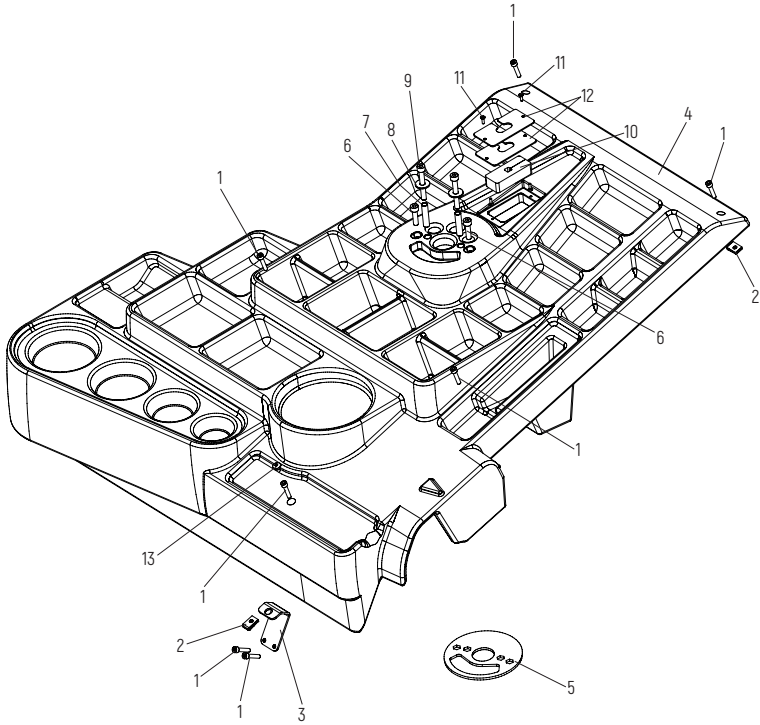
**Chapter X Pedal switch**





<b>Drawing No.</b>	<b>Accessory No.</b>	<b>Chinese Product Name</b>
1	PAE2031-0305	Round head screw M6X16
2	PAE2031-0501	Cable joint
3	PAE2031-74	Pedal connector
4	PAE2031-0502	Hexagon nut M4
5	PAE2031-0503	Hexagon socket screw 1/2F M4X30
6	PAE1031H-0105	Self-locking hexagon nut M6
7	PAE2031-0504	Lower connecting piece
8	PAE2031-0505	Round head screw M6X8
9	PAE2031-0506	Screw 1/2F M6X40
10	PAE2031-0507	Plain washer
11	PAE2031-0508	Microswitch 10A
12	PAE2031-0509	Spacer ring D.8X6X30
13	PAE2031-0510	Upper connecting piece
14	PAE1031H-2207	Shock absorbing pad 20X13 M6X6
15	PAE2031-05	Pedal assembly
16	PAE2031-0511	Cable 2X1 L1500mm

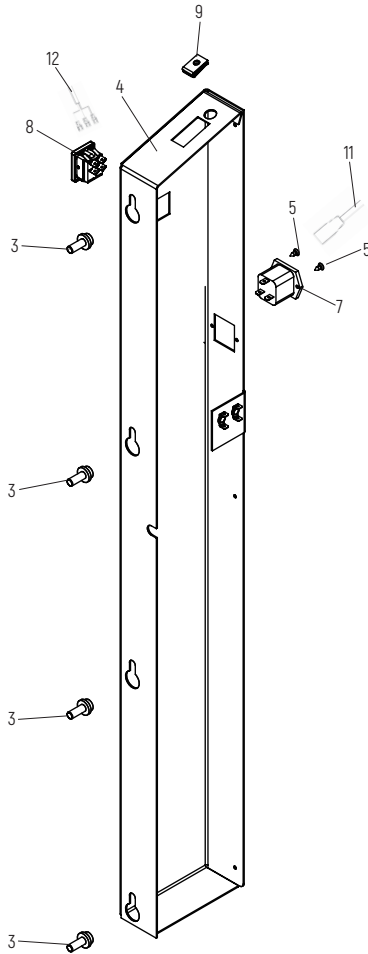
# Chapter XI Lead block shield





<b>Drawing No.</b>	<b>Accessory No.</b>	<b>Chinese Product Name</b>
1	PAE1031H-0801	Hexagon socket screw M6X30
2	PAE1031H-1415	Insert pin M6
3	PAE2031-75	Fixing sheet
4	PAE2031-76	Lead block shield
5	PAE2031-77	Sheet
6	PAE2031-78	Hexagon socket screw M8X30
7	PAE2031-79	Spacer ring D.8.1X10X44
8	PAE1031H-109	Plain washer
9	PAE2031-80	Hexagon socket screw M8X60
10	PAE2031-81	Cap
11	PAE2031-0205	Spiral cone D4X12
12	PAE2031-82	Cable tray
13	PAE2031-83	Lock nut D.111

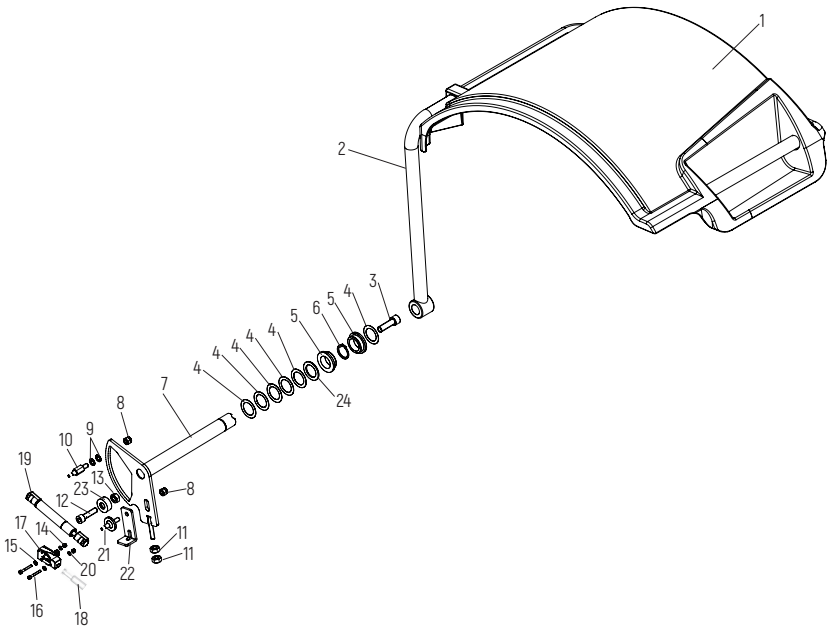
## Chapter XII Side shield





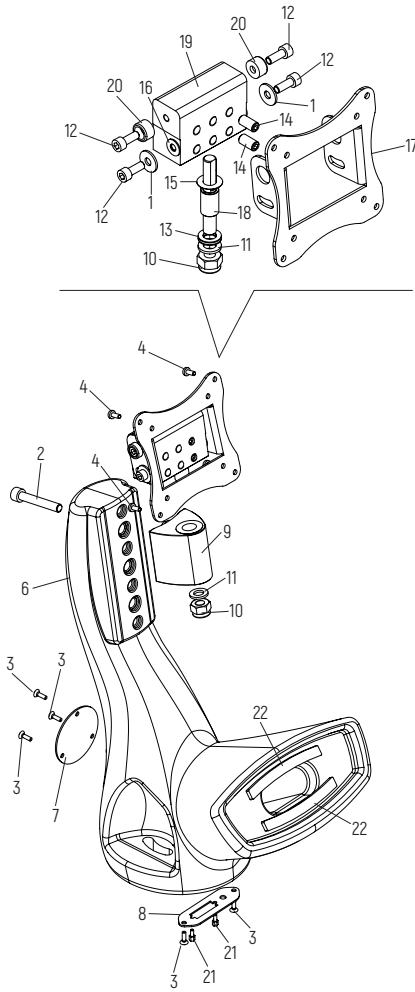
<b>Drawing No.</b>	<b>Accessory No.</b>	<b>Chinese Product Name</b>
3	PAE2031-67	Hexagon socket screw M8X20
4	PAE2031-84	Side shield
5	PAE2031-85	Countersunk tapping screw D.3.9X9.5
7	PAE2031-86	Single phase socket 10 A-250 V
8	PAE2031-87	Switch
9	PAE1031H-1415	Insert pin M6
11	PAE2031-88	Cable 2-2.5MT
12	PAE2031-89	VDE power line

## Chapter XIII Wheel guard



<b>Drawing No.</b>	<b>Accessory No.</b>	<b>Chinese Product Name</b>
1	PAE2031-90	Wheel guard 44"
2	PAE2031-91	Guard elbow
3	PAE2031-92	Hexagon socket screw M12X40
4	PAE2031-93	Plain washer
5	PAE2031-94	Bushing D.28X38X13
6	PAE2031-95	Retainer ring D.28
7	PAE2031-96	Pin
8	PAE1031H-0107	Self-locking hexagon nut M8
9	PAE2031-97	Plain washer
10	PAE2031-98	Connector M8 D.10
11	PAE1031H-102	Hexagon nut M8
12	PAE2031-99	Hexagon screw M10X25
13	PAE1031H-52	Hexagon nut M10
14	PAE1032H-3302	Self-locking hexagon nut M4
15	PAE1031H-2005	Plain washer
16	PAE1031H-160	Hexagon socket screw 1/2F M4X30
17	PAE1031H-161	Microswitch 16A
18	PAE2031-100	Cable 2P L.1400mm
19	PAE2031-101	Gas spring
20	PAE1031H-2910	Plain washer
21	PAE2031-102	Connector M8
22	PAE2031-103	Spring bracket
23	PAE2031-104	Liner D.30X13
24	PAE2031-105	Plain washer

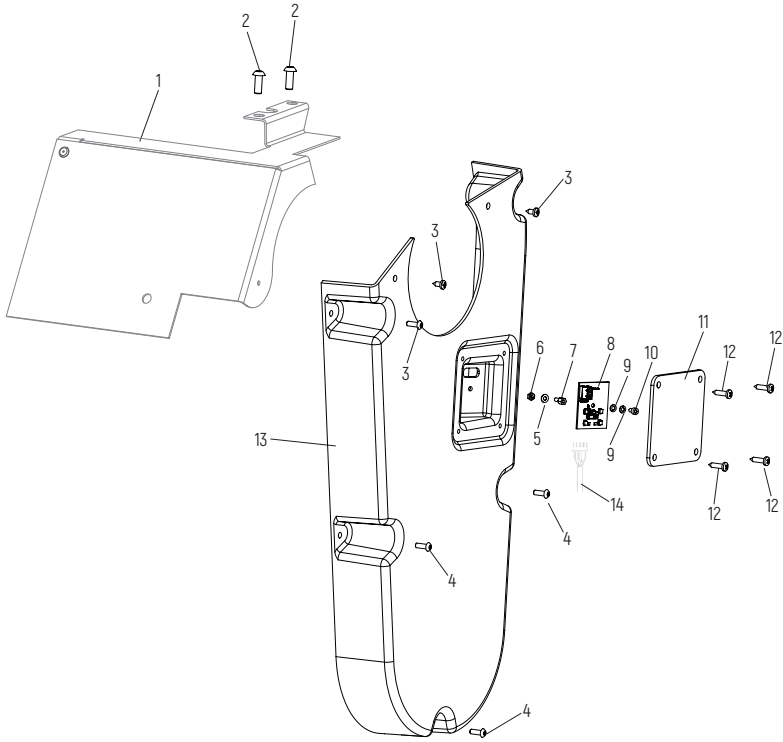
## Chapter XIV Display seat assembly





Drawing No.	Accessory No.	Chinese Product Name
1	PAE2031-106	Plain washer
2	PAE1031H-251	Hexagon socket screw M8X50
3	PAE2031-107	Round head countersunk screw D.3.5X12
4	PAE2031-108	Round head Phillips screw M4X10
6	PAE2031-109	Display seat
7	PAE2031-110	Locking sheet
8	PAE2031-111	Fixing sheet
9	PAE2031-112	Cushion block
10	PAE1031H-148	Self-locking nut M10
11	PAE2031-113	Plain washer
12	PAE1031H-0815	Hexagon socket screw M6X16
13	PAE2031-114	Plain washer
14	PAE2031-115	Countersunk screw M8X16
15	PAE2031-116	Plain washer
16	PAE2031-117	Plain washer
17	PAE2031-118	Display locking plate
18	PAE2031-119	Vertical pin
19	PAE2031-120	Body connector
20	PAE2031-121	Shaft bushing bracket connector
21	PAE2031-122	Post
22	PAE2031-123	Label

**Chapter XV Lighting assembly**

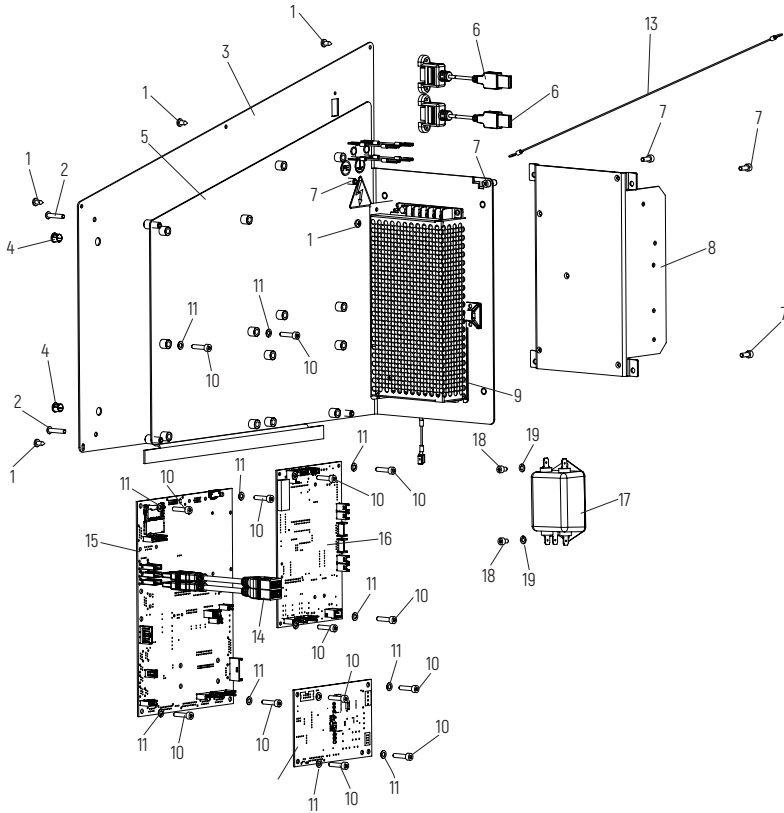




<b>Drawing No.</b>	<b>Accessory No.</b>	<b>Chinese Product Name</b>
1	PAE2031-124	Guard
2	PAE2031-0305	Round head screw M6X16
3	PAE2031-09	Round head screw 3.9X9.5
4	PAE2031-125	Round head screw M4X12
5	PAE1031H-2104	Plain washer
6	PAE1031H-2612	Hexagon nut M3
7	PAE2031-126	Post M3
8	PAE2031-127	Lighting circuit board
9	PAE2031-128	Plain washer
10	PAE2031-129	Hexagon socket screw M3X6
11	PAE2031-130	Protection plate
12	PAE2031-131	Round head screw D.3.9X16
13	PAE2031-132	Outer cover
14	PAE2031-133	Cable L.2000mm



# Chapter XVI Control circuit



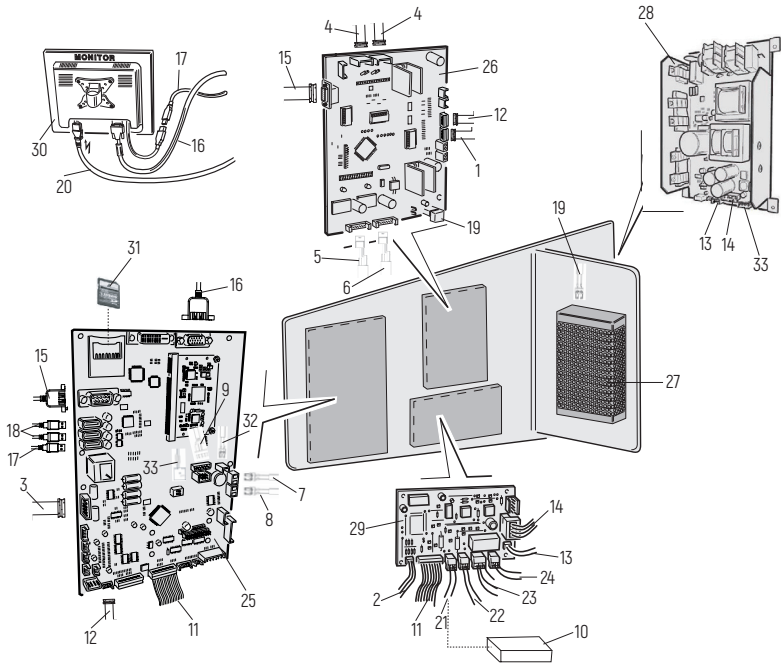




<b>Drawing No.</b>	<b>Accessory No.</b>	<b>Chinese Product Name</b>
1	PAE2031-09	Round head screw 3.9X9.5
2	PAE2031-134	Round head screw M4X20
3	PAE2031-135	Locking plate
4	PAE2031-136	Black lock nut D.7.9
5	PAE2031-137	Supporting plate
6	PAE2031-138	USB cable
7	PAE2031-12	Hexagon socket screw M4X10
8	PAE2031-139	Circuit board
9	PAE2031-140	Power supply 150W 24V
10	PAE2031-141	Hexagon socket screw M4X18
11	PAE2031-142	Plain washer
12	PAE2031-143	Motor control board
13	PAE2031-144	Cable
14	PAE2031-145	USB expansion slot
15	PAE2031-146	Circuit board
16	PAE2031-147	Circuit board
17	PAE2031-148	Rectifier 115/250V 6A
18	PAE2031-149	Hexagon socket screw M4X6
19	PAE2031-142	Plain washer



# Chapter XVII Circuit diagram





Drawing No.	Accessory No.	Chinese Product Name
1	PAE2031-62	Flat cable 8-core L.1100mm
2	PAE2031-63	Flat cable 4-core L.800mm
3	PAE2031-57	Mount
4	PAE2031-0230	Laser sensor cable
5	PAE2031-0231	Cable 4X0.22 6P L.650mm
6	PAE2031-0315	Cable 4X0.22 6P L.900mm
7	PAE2031-150	Cable 2x0.34 L.1100mm
8	PAE2031-0511	Cable 2X1 L.1500mm
9	PAE2031-133	Cable L.2000mm
10	PAE2031-151	Inductance filter
11	PAE2031-152	Flat cable 9-WAY L.250mm
12	PAE2031-153	Flat cable 8-WAY L.650mm
13	PAE2031-154	Power line 6X0.22 L.510mm
14	PAE2031-155	Power line SWITCH-MCM 48V
15	PAE2031-156	9-pin flat cable L.2000mm
16	PAE2031-157	Extension cable 15HD L.3000mm
17	PAE2031-145	USB expansion slot
18	PAE2031-138	USB cable
19	PAE1031H-186	Cable 2P L.500mm
20	PAE2031-89	VDE power line
21	PAE2031-47	Brake
22	PAE2031-0102	Clutch
23	PAE2031-46	Motor 48V
24	PAE2031-0101	Motor transmission



<b>Drawing No.</b>	<b>Accessory No.</b>	<b>Chinese Product Name</b>
25	PAE2031-146	Circuit board
26	PAE2031-147	Circuit board
27	PAE2031-140	Power supply 150W 24V
28	PAE2031-139	Circuit board
29	PAE2031-143	Motor control board
30	PAE2031-158	Industrial touch screen LCD
31	PAE2031-159	Label
32	PAE2031-100	Cable 2P L.1400mm
33	PAE2031-160	Cable 2XAWG 22 L.400mm

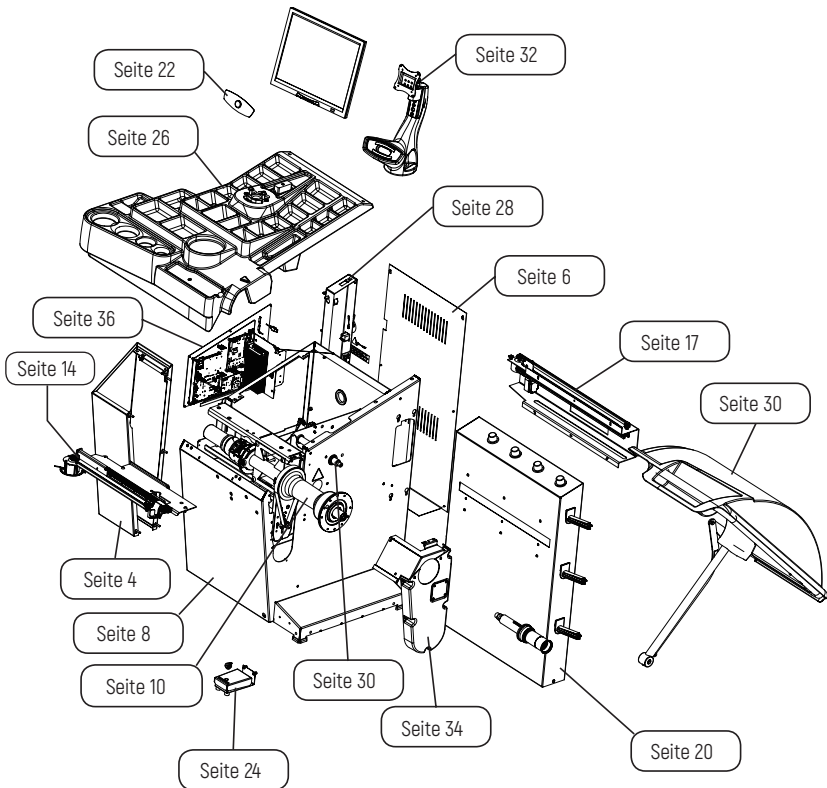


## Verzeichnis

Kapitel I	Zusammenbauzeichnung .....	78
Kapitel II	Linke Seitenabdeckung .....	79
Kapitel III	Backplatte .....	80
Kapitel IV	Gehäuse .....	81
Kapitel V	Drehwellenanordnung .....	83
Kapitel VI	Eingebaute Lasererkennungsvorrichtung .....	87
Kapitel VII	Rückdetektor .....	90
Kapitel VIII	Rückdetektorgehäuse .....	93
Kapitel IX	Tastatur .....	95
Kapitel X	Fußschalter .....	97
Kapitel XI	Bleibblockabdeckung .....	99
Kapitel XII	Seitenabdeckung .....	101
Kapitel XIII	Reifenschutzabdeckung .....	103
Kapitel XIV	Komponenten des Displayständers .....	105
Kapitel XV	Beleuchtungskomponenten .....	107
Kapitel XVI	Steuerkreis .....	109
Kapitel XVII	Schaltplan .....	111



# Kapitel I Zusammenbauzeichnung



## Kapitel II Linke Seitenabdeckung

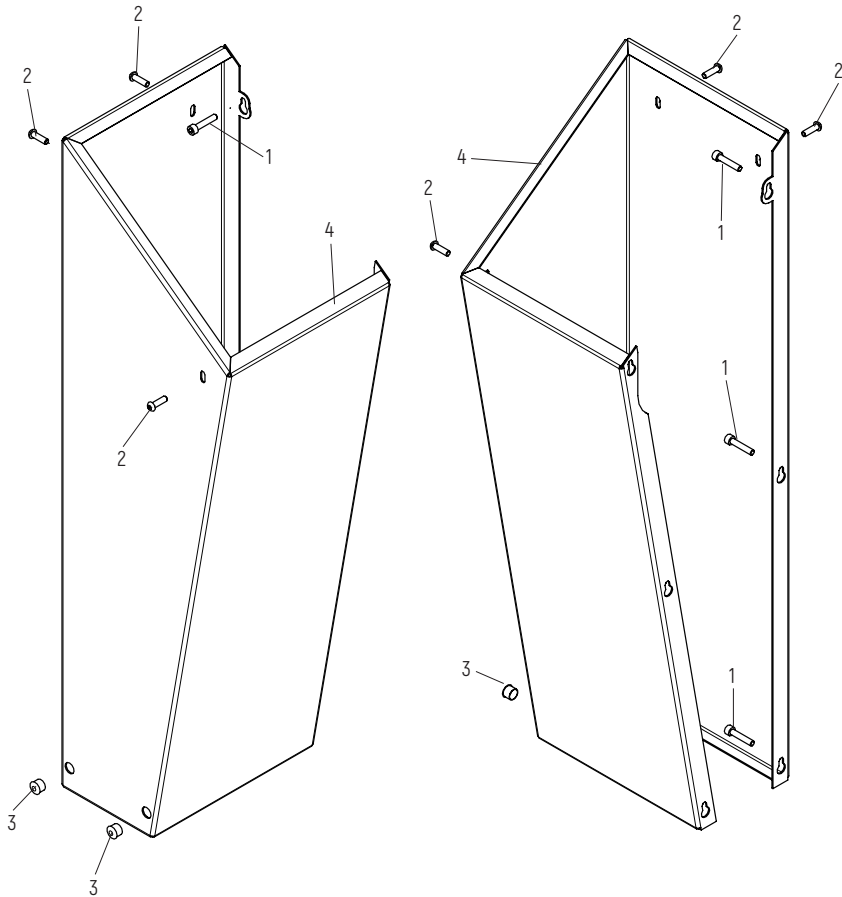


Bild nein	Zubehörnummer	Chinesischer Name
1	PAE1031H-0801	Innensechskantschrauben M6X30
2	PAE2031-0304	Rundkopfschraube M6X30
3	PAE2031-06	Druckkappe
4	PAE2031-07	Linke Seitenabdeckung

**Kapitel III Backplatte**

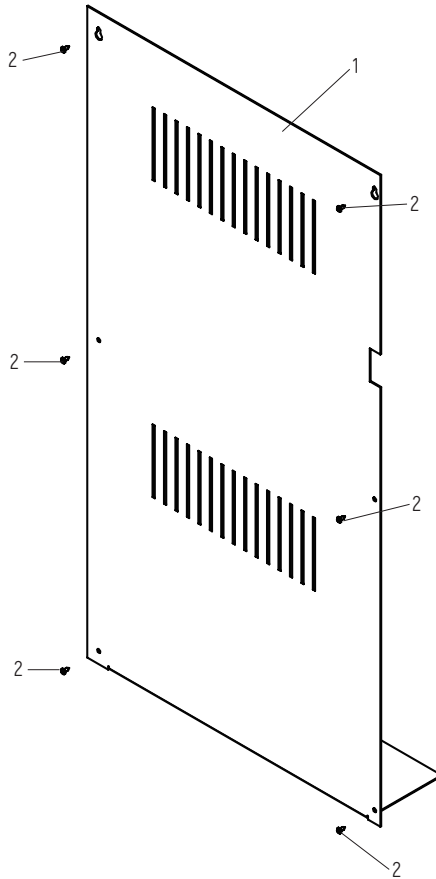
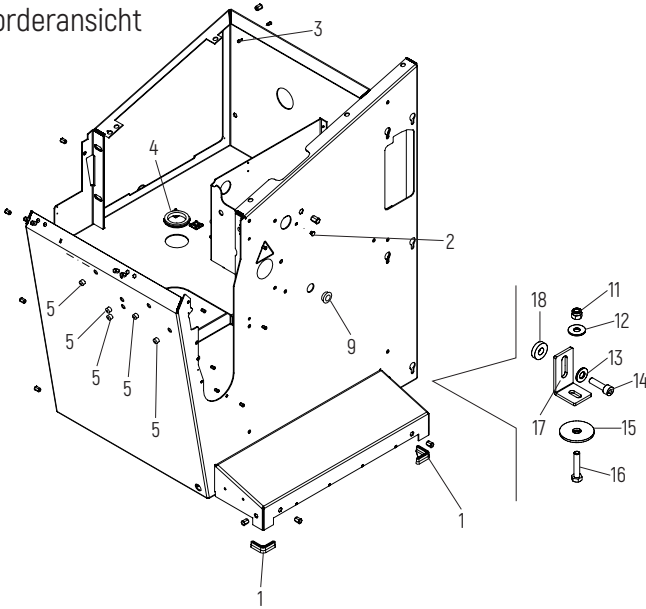


Bild nein	Zubehörnummer	Chinesischer Name
1	PAE2031-08	Backplatte
2	PAE2031-09	Rundkopfschraube D 3.9X9.5



**Kapitel IV Gehäuse**

Vorderansicht



Rückansicht

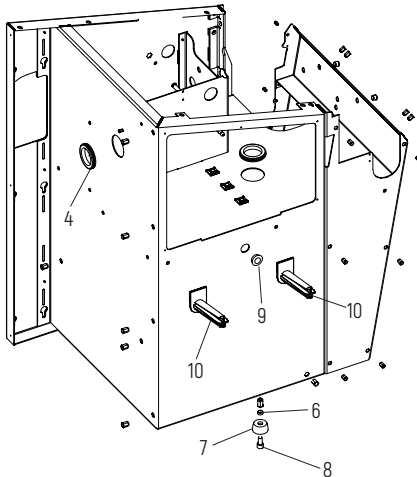




Bild nein	Zubehörnummer	Chinesischer Name
1	PAE2031-10	Fußauflage 35X35
2	PAE2031-11	Druckkappe aus Kunststoff
3	PAE2031-12	Innensechskantschrauben M4X10
4	PAE2031-13	Schürze
5	PAE2031-06	Druckkappe
6	PAE2031-14	Waschmaschine
7	PAE2031-15	Fußauflage
8	PAE1031H-1017	Innensechskantschrauben M10X20
9	PAE2031-16	Druckkappe
10	PAE2031-17	Schiebebügel
11	PAE1031H-0107	Selbstsichernde Mutter M8
12	PAE1031H-109	Flache Unterlegscheibe
13	PAE1031H-73	Flache Unterlegscheibe
14	PAE2031-18	Innensechskantschrauben M10X30
15	PAE2031-19	Flache Unterlegscheibe
16	PAE2031-20	Sechskantschraube M8X40
17	PAE2031-21	Feste Halterung
18	PAE2031-22	Nylonunterlegscheibe

**Kapitel V Drehwellenanordnung**

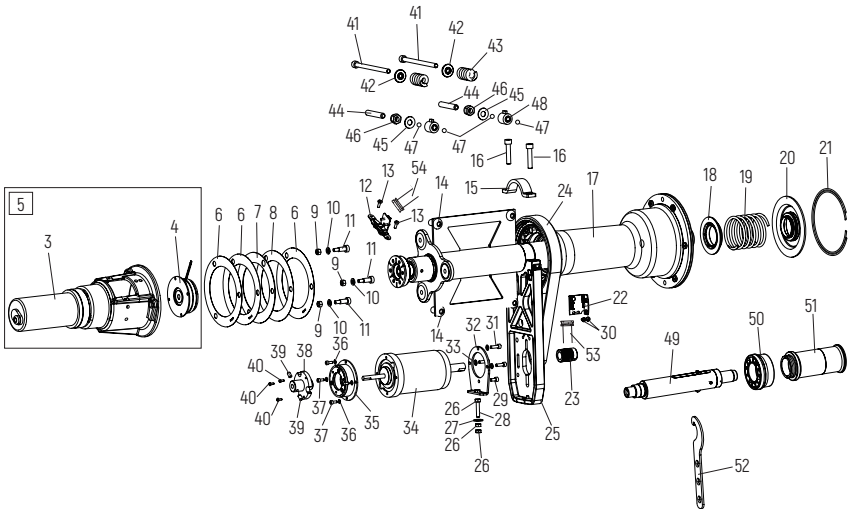
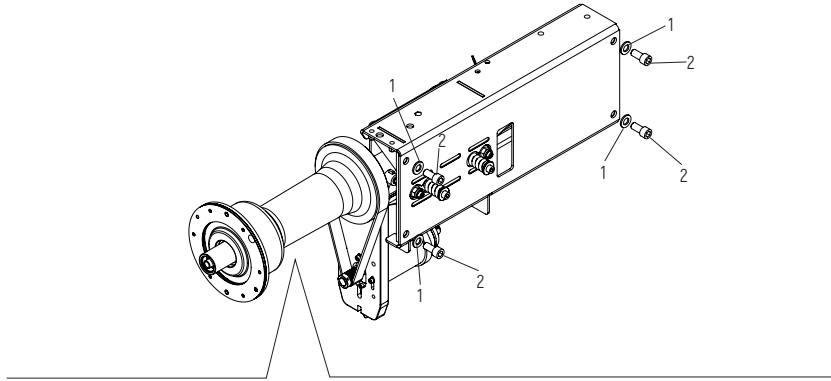


Bild nein	Zubehörnummer	Chinesischer Name
1	PAE1031H-103	Flache Unterlegscheibe
2	PAE2031-23	Innensechskantschrauben M12X25
3	PAE2031-0101	Motorgetriebe
4	PAE2031-0102	Kupplung
5	PAE2031-01	Getriebe-ZSB
6	PAE2031-24	Flache Dichtung
7	PAE2031-25	Flache Dichtung
8	PAE2031-26	Flache Dichtung
9	PAE1032H-79	Selbstsichernde Sechskantmutter M6
10	PAE1031H-0102	Flache Unterlegscheibe
11	PAE2031-27	Spezialschraube 8X16 M6
12	PAE2031-28	Platine des reflektierenden Encoders
13	PAE2031-29	Kreuzschlitzschraube M4X12
14	PAE2031-30	Rundkopfschraube M12X25
15	PAE2031-31	Motormontageplatte
16	PAE2031-32	Innensechskantschrauben 1 / 2F M8X40
17	PAE2031-33	Drehwellenanordnung C
18	PAE2031-34	Federsitzplatte C. D.40
19	PAE2031-35	Feder D.4.8X66X121
20	PAE2031-36	Federsitzplatte C. D.40
21	PAE2031-37	Elastischer Ring D.127.5X2.5
22	PAE2031-38	Platine zum Scannen
23	PAE2031-39	Riemenscheibe
24	PAE2031-40	Riemen

<b>Bild nein</b>	<b>Zubehörnummer</b>	<b>Chinesischer Name</b>
25	PAE2031-41	Motorsitz
26	PAE1031H-87	Sechskantmutter M6
27	PAE1032H-69	Flache Unterlegscheibe
28	PAE2031-42	Sechskantschraube M6X50
29	PAE1031H-2203	Innensechskantschrauben M5X10
30	PAE2031-43	Rundkopf-Blechschauben M4X6
31	PAE1031H-128	Innensechskantschrauben M5X20
32	PAE2031-44	Motorflansch
33	PAE2031-45	Flache Unterlegscheibe
34	PAE2031-46	Motor 48V
35	PAE2031-47	Bremse
36	PAE2031-0507	Flache Unterlegscheibe
37	PAE2031-12	Innensechskantschrauben M4X10
38	PAE2031-48	Radbremse
39	PAE2031-49	Senkkopfschraube M6X9
40	PAE2031-50	Rundkopf-Blechschaube M3X8
41	PAE2031-51	Innensechskantschraube M8X120
42	PAE2031-52	Federbuchse
43	PAE2031-53	Feder D.6X25X41
44	PAE2031-54	Senkkopfschraube M10X60
45	PAE2031-55	Feder D.10.2X23X1.25
46	PAE1031H-148	Selbstsichernde Mutter M10
47	PAE2031-56	Ball 5/16 "
48	PAE2031-57	Befestigungssitz



<b>Bild nein</b>	<b>Zubehörnummer</b>	<b>Chinesischer Name</b>
49	PAE2031-58	Radnabenblockierwelle
50	PAE2031-59	Spurverbreiterung
51	PAE2031-60	Kupplungszahnrad
52	PAE2031-61	Spezialschlüssel
53	PAE2031-62	Flachkabel 8-adrig L1100mm
54	PAE2031-63	Flachkabel 4-adrig L.800mm

**Kapitel VI Eingebaute Lasererkennungsvorrichtung**

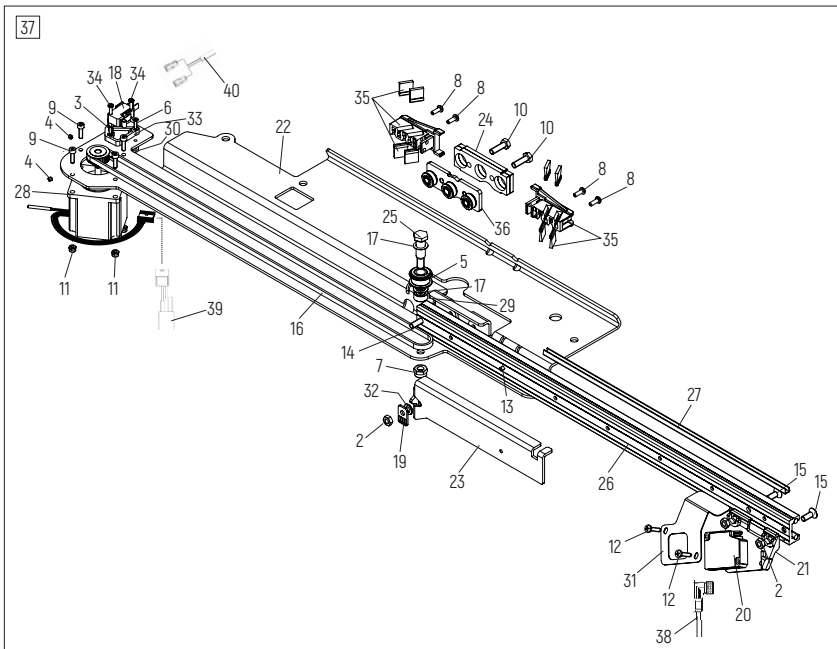
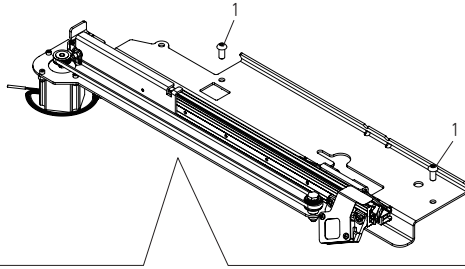


Bild nein	Zubehörnummer	Chinesischer Name
1	PAE2031-64	Rundkopfschraube M8X18
2	PAE2031-0201	Sechskantmutter M6
3	PAE1031H-2104	Flache Unterlegscheibe
4	PAE2031-0202	Rundkopf-Sechskantensenkkopfschraube M4X4
5	PAE2031-0203	Riemenscheibe (mit Sitz)
6	PAE2031-0204	Senkkopfschraube M3X12
7	PAE1031H-135	Selbstsichernde Sechskantmutter M8
8	PAE2031-0205	Spiralwirbelkörper M4X12
9	PAE2031-0206	Innensechskantschrauben M4X14
10	PAE1031H-0109	Sechskantschraube M6X20
11	PAE1032H-3302	Selbstsichernde Sechskantmutter M4
12	PAE2031-0207	Spiralwirbelkörper M4X20
13	PAE1032H-0715	Senkkopfschraube M6X20
14	PAE2031-0208	Senkkopfschraube M4X8
15	PAE2031-0209	Senkkopfschraube M6X16
16	PAE2031-0210	Riemen
17	PAE1032H-0712	Flache Unterlegscheibe
18	PAE2031-0211	Mikroschalter
19	PAE2031-0212	Gurtführungsscheiben
20	PAE2031-0213	Lasersensor
21	PAE2031-0214	Lasersensorhalter
22	PAE2031-0215	Schutzabdeckung
23	PAE2031-0216	Riemenabdeckung
24	PAE2031-0217	Wanne 5mm





<b>Bild nein</b>	<b>Zubehörnummer</b>	<b>Chinesischer Name</b>
25	PAE2031-0218	Exzenterbolzen D10 M8
26	PAE2031-0219	Frontschutzabdeckung
27	PAE2031-0220	Kabelkanal
28	PAE2031-0221	Motor (einschließlich Riemenscheibe)
29	PAE2031-0222	Abstandhalter D10X15X6.5
30	PAE2031-0223	Mini-Einstellstück
31	PAE2031-0224	Laserhaube
32	PAE2031-0225	Flache Unterlegscheibe
33	PAE2031-0226	Kleine Klammer
34	PAE2031-0227	Rundkopfschraube M3X14
35	PAE2031-0228	Blattführungssitz
36	PAE2031-0229	Führungsradsatz
37	PAE2031-02	Laserdetektor
38	PAE2031-0230	Lasersensorkabel
39	PAE2031-0231	Kabel 4X0,22 6P L.650mm
40	PAE2031-0232	Kabel 2P L.1400mm

**Kapitel VII Rückdetektor**

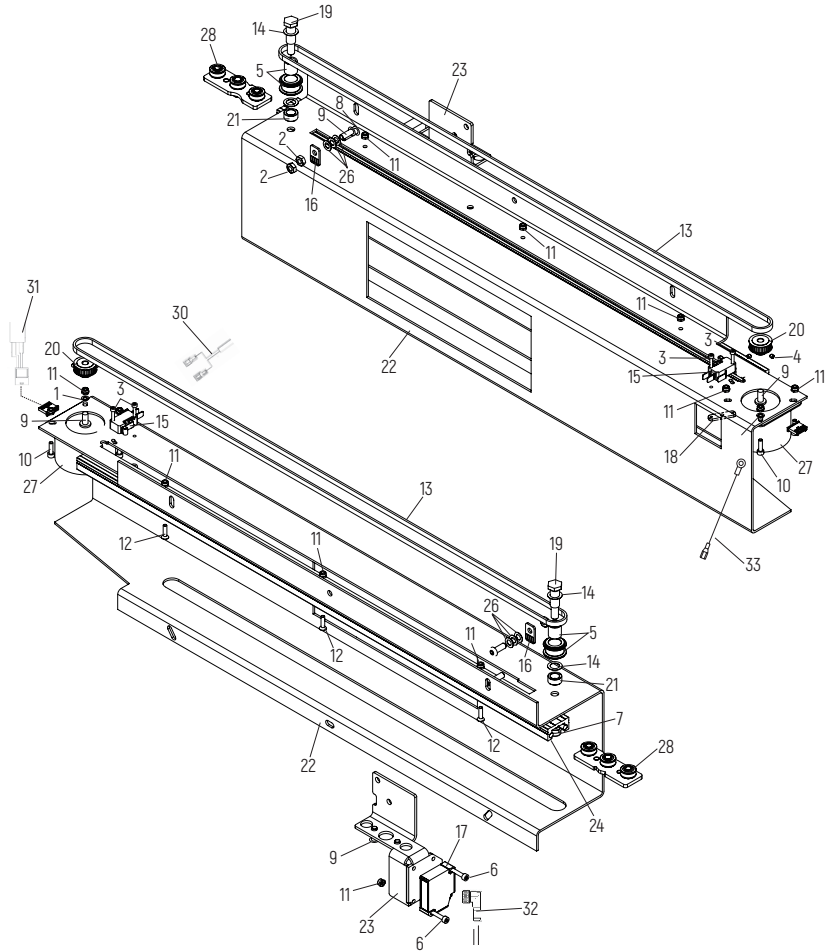


Bild nein	Zubehörnummer	Chinesischer Name
1	PAE2031-0301	Flache Unterlegscheibe
2	PAE2031-0201	Sechskantmutter M6
3	PAE2031-0302	Innensechskantschrauben M3X16
4	PAE2031-0202	Rundkopf-Sechskantensenkkopfschraube M4X5
5	PAE2031-0203	Riemenscheibe (mit Sitz)
6	PAE2031-0303	Innensechskantschrauben M4X25
7	PAE1031H-135	Selbstsichernde Sechskantmutter M8
8	PAE2031-0304	Rundkopfschraube M6X20
9	PAE2031-0305	Rundkopfschraube M6X16
10	PAE2031-0206	Innensechskantschrauben M4X14
11	PAE1032H-3302	Selbstsichernde Sechskantmutter M4
12	PAE2031-0306	Senkkopfschraube M4X16
13	PAE2031-0307	Riemen
14	PAE1032H-0712	Flache Unterlegscheibe
15	PAE2031-0211	Mikroschalter
16	PAE2031-0212	Gurtführungsscheiben
17	PAE2031-0213	Lasersensor
18	PAE2031-0308	Mini-Einstellstück
19	PAE2031-0218	Exzenterbolzen D.10 M8
20	PAE2031-0309	Riemenscheibe
21	PAE2031-0222	Abstandhalter D.10X15X6.5
22	PAE2031-0310	Detektorhalterung hinten
23	PAE2031-0311	Sensorhalterung
24	PAE2031-0312	Untere Schiene



<b>Bild nein</b>	<b>Zubehörnummer</b>	<b>Chinesischer Name</b>
26	PAE2031-0225	Flache Unterlegscheibe
27	PAE2031-0313	Motor 48PP
28	PAE2031-0229	Führungsradatz
29	PAE2031-03	Rückdetektorkomponente
30	PAE2031-0314	Kabel 2P L1200mm
31	PAE2031-0315	Kabel 4X0,22 6P L.900mm
32	PAE2031-0230	Lasersensorkabel
33	PAE2031-0316	Kabel

**Kapitel VIII Rückdetektorgehäuse**

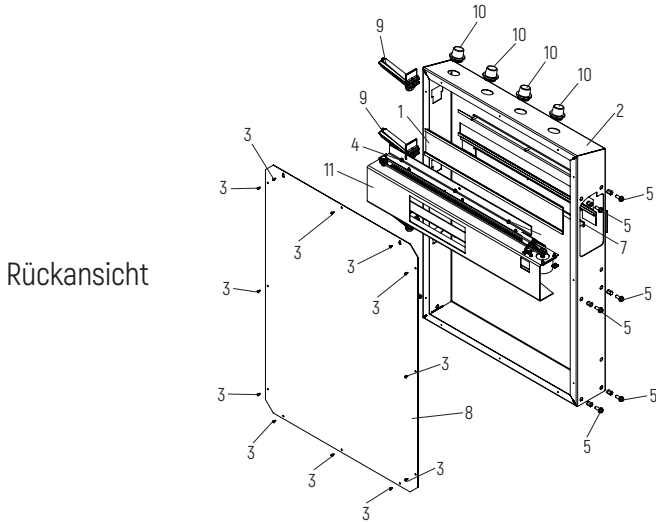
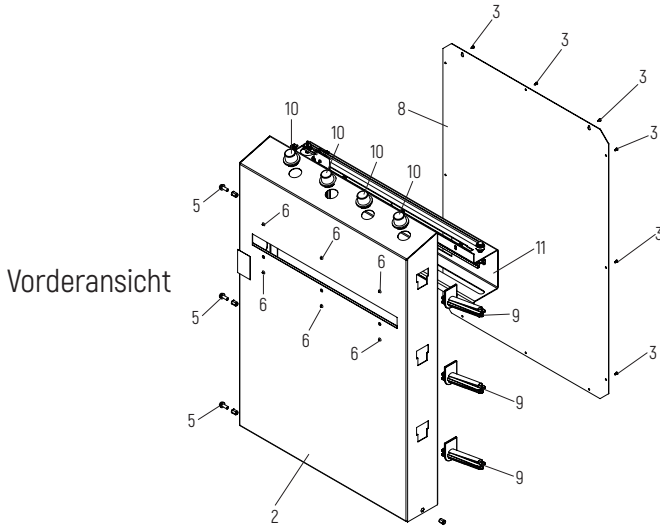




Bild nein	Zubehörnummer	Chinesischer Name
1	PAE2031-65	Glasstück
2	PAE2031-66	Umschlag (mit Etikett)
3	PAE2031-09	Rundkopfschraube 3.9X9.5
4	PAE1032H-1418	Selbstsichernde Sechskantmutter M6
5	PAE2031-67	Innensechskantschraube M8X20
6	PAE2031-0304	Rundkopfschraube M6X20
7	PAE2031-68	Unterlage
8	PAE2031-69	Backplatte
9	PAE2031-17	Schiebebügel
10	PAE2031-70	Kegelhalterung
11	PAE2031-03	Rückdetektorkomponente

# Kapitel IX Tastatur

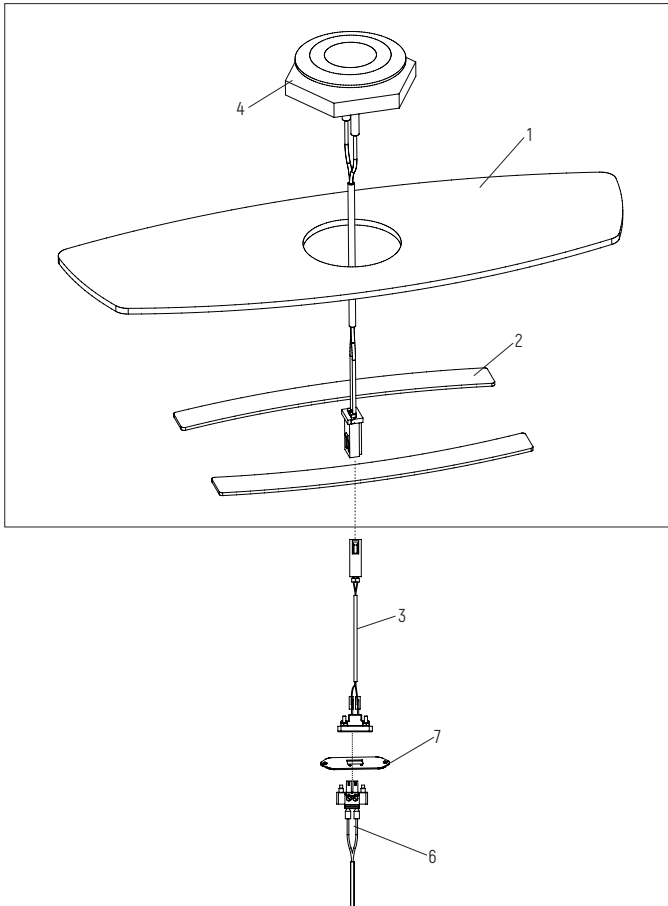




Bild nein	Zubehörnummer	Chinesischer Name
1	PAE2031-0401	Stützplatte
2	PAE2031-0402	Doppelschlossetikett
3	PAE2031-71	Kabel 2X0,34 L.360mm
4	PAE2031-0403	Knopf (mit Kabel)
5	PAE2031-04	Knopfanordnung
6	PAE2031-72	Kabel 2x0,34 L. 1100mm
7	PAE2031-73	Stück



**Kapitel X Fußschalter**

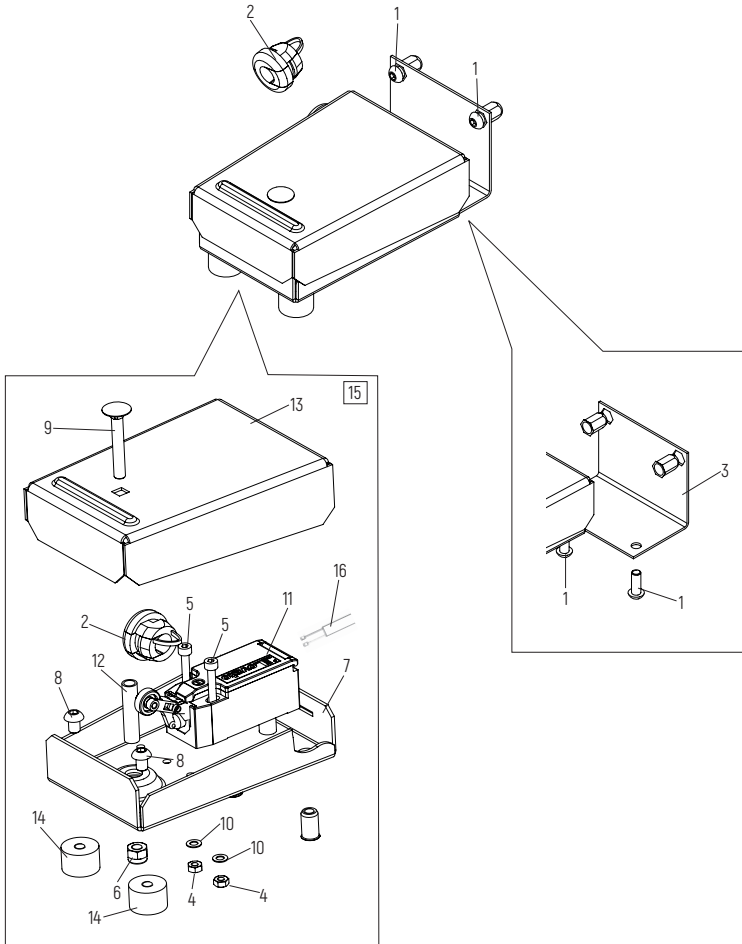
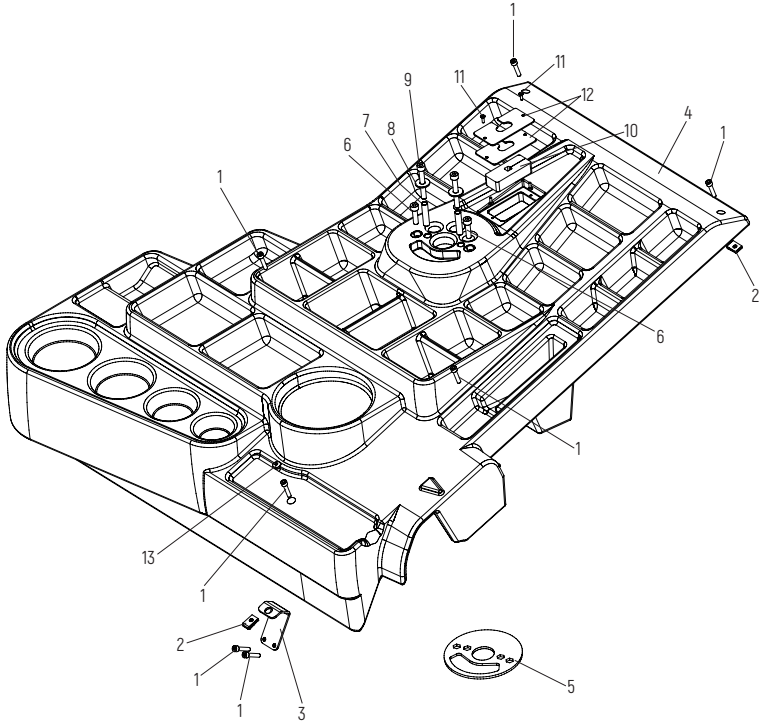




Bild nein	Zubehörnummer	Chinesischer Name
1	PAE2031-0305	Rundkopfschraube M6X16
2	PAE2031-0501	Kabelstecker
3	PAE2031-74	Pedalanschluss
4	PAE2031-0502	Sechskantmutter M4
5	PAE2031-0503	Innensechskantschrauben 1 / 2F M4X30
6	PAE1031H-0105	Selbstsichernde Sechskantmutter M6
7	PAE2031-0504	Verbindungsstück unten
8	PAE2031-0505	Rundkopfschraube M6X8
9	PAE2031-0506	Schraube 1 / 2F M6X40
10	PAE2031-0507	Flache Unterlegscheibe
11	PAE2031-0508	Mikroschalter 10A
12	PAE2031-0509	Abstandhalter D.8X6X30
13	PAE2031-0510	Verbindungsstück oben
14	PAE1031H-2207	Dämpfer 20X13 M6X6
15	PAE2031-05	Pedalanordnung
16	PAE2031-0511	Kabel 2X1 L1500mm

**Kapitel XI Bleiblockabdeckung**





<b>Bild nein</b>	<b>Zubehörnummer</b>	<b>Chinesischer Name</b>
1	PAE1031H-0801	Innensechskantschrauben M6X30
2	PAE1031H-1415	Steckstück M6
3	PAE2031-75	Befestigungsstück
4	PAE2031-76	Bleiblockabdeckung
5	PAE2031-77	Stück
6	PAE2031-78	Innensechskantschraube M8X30
7	PAE2031-79	Abstandhalter D.8.1X10X44
8	PAE1031H-109	Flache Unterlegscheibe
9	PAE2031-80	Innensechskantschraube M8X60
10	PAE2031-81	Kappe
11	PAE2031-0205	Wirbelkörper D4X12
12	PAE2031-82	Kabelwanne
13	PAE2031-83	Druckkappe D.11.1

## Kapitel XII Seitenabdeckung

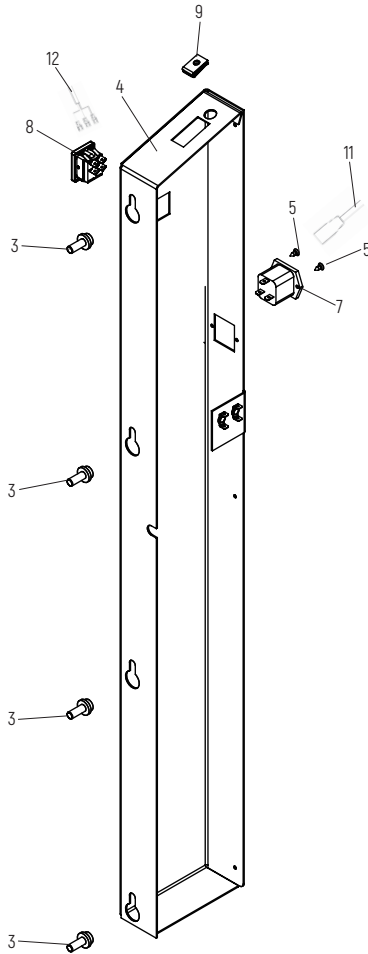
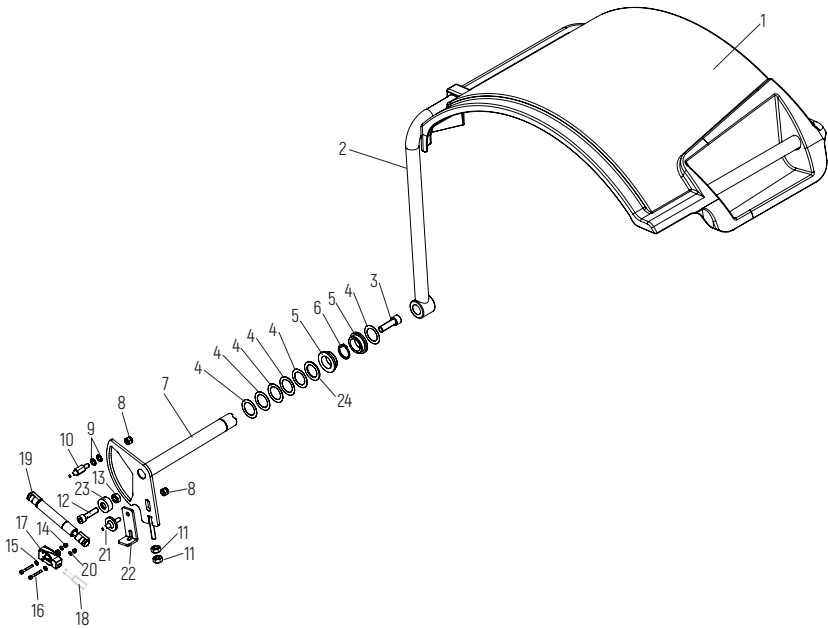




Bild nein	Zubehörnummer	Chinesischer Name
3	PAE2031-67	Innensechskantschraube M8X20
4	PAE2031-84	Seitenabdeckung
5	PAE2031-85	Senkkopf-Blechschaube D.3.9X9.5
7	PAE2031-86	Einphasige Steckdose 10A-250V
8	PAE2031-87	Schalter
9	PAE1031H-1415	Steckstück M6
11	PAE2031-88	Kabel 2-2.5MT
12	PAE2031-89	VDE-Netzkabel

**Kapitel XIII Reifenschutzabdeckung**

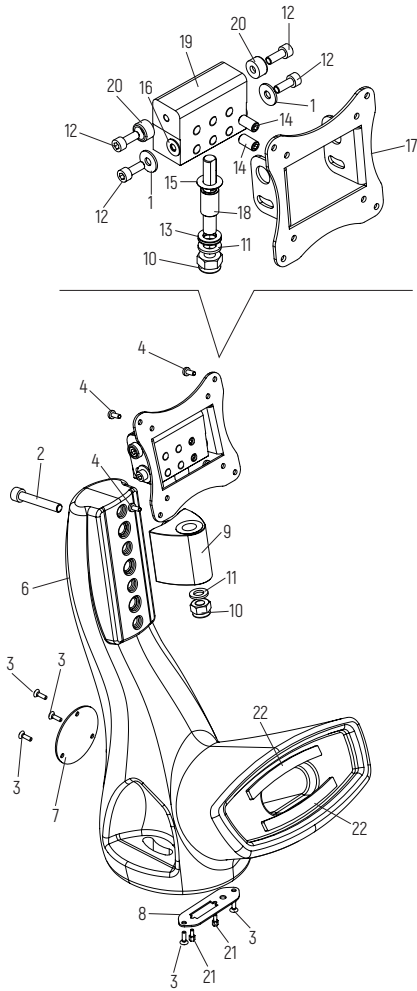




<b>Bild nein</b>	<b>Zubehörnummer</b>	<b>Chinesischer Name</b>
1	PAE2031-90	Radschutzabdeckung 44 "
2	PAE2031-91	Abdeckungsbogen
3	PAE2031-92	Innensechskantschrauben M12X40
4	PAE2031-93	Flache Unterlegscheibe
5	PAE2031-94	Buchse D.28X38X13
6	PAE2031-95	Sicherungsring D.28
7	PAE2031-96	Pin
8	PAE1031H-0107	Selbstsichernde Sechskantmutter M8
9	PAE2031-97	Flache Unterlegscheibe
10	PAE2031-98	Verbinder M8 D.10
11	PAE1031H-102	Sechskantmutter M8
12	PAE2031-99	Sechskantschraube M10X25
13	PAE1031H-52	Sechskantmutter M10
14	PAE1032H-3302	Selbstsichernde Sechskantmutter M4
15	PAE1031H-2005	Flache Unterlegscheibe
16	PAE1031H-160	Innensechskantschrauben 1 / 2F M4X30
17	PAE1031H-161	Mikroschalter 16A
18	PAE2031-100	Kabel 2P L.1400mm
19	PAE2031-101	Gasfeder
20	PAE1031H-2910	Flache Unterlegscheibe
21	PAE2031-102	Anschluss M8
22	PAE2031-103	Federbock
23	PAE2031-104	Unterlage D.30X13
24	PAE2031-105	Flache Unterlegscheibe

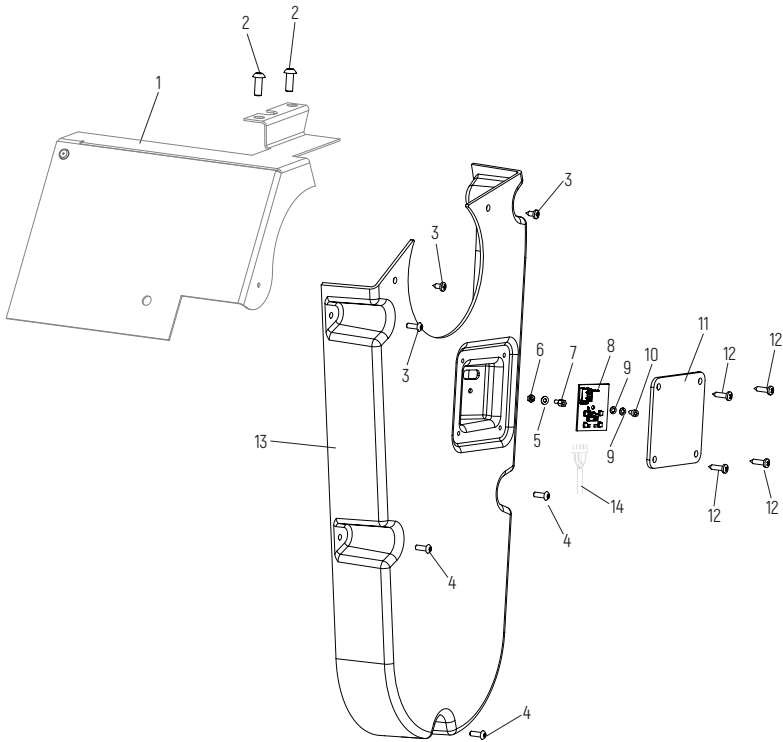


## Kapitel XIV Komponenten des Displayständers



<b>Bild nein</b>	<b>Zubehörnummer</b>	<b>Chinesischer Name</b>
1	PAE2031-106	Flache Unterlegscheibe
2	PAE1031H-251	Innensechskantschraube M8X50
3	PAE2031-107	Rundkopf-Senkkopfschraube D.3.5X12
4	PAE2031-108	Kreuzschlitzschraube M4X10
6	PAE2031-109	Displayständer
7	PAE2031-110	Verschlussstück
8	PAE2031-111	Befestigungsstück
9	PAE2031-112	Blockabsatz
10	PAE1031H-148	Selbstsichernde Mutter M10
11	PAE2031-113	Flache Unterlegscheibe
12	PAE1031H-0815	Innensechskantschrauben M6X16
13	PAE2031-114	Flache Unterlegscheibe
14	PAE2031-115	Senkkopfschraube M8X16
15	PAE2031-116	Flache Unterlegscheibe
16	PAE2031-117	Flache Unterlegscheibe
17	PAE2031-118	Rachenlehre des Displays
18	PAE2031-119	Vertikaler Stift
19	PAE2031-120	Hauptkörperverbinder
20	PAE2031-121	Buchse für Buchsenhalterung
21	PAE2031-122	Säule
22	PAE2031-123	Label

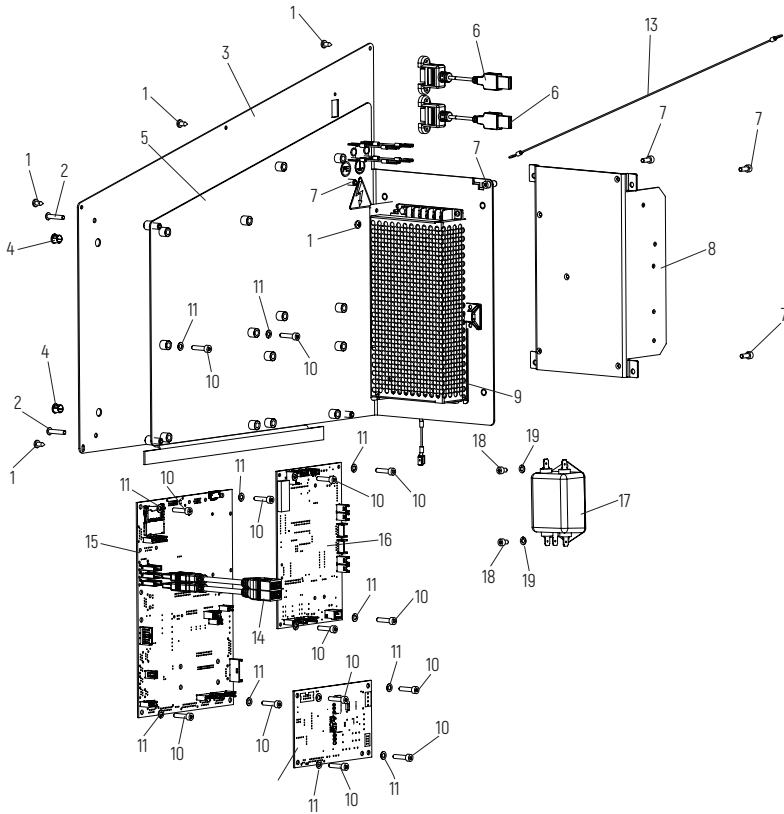
**Kapitel XV Beleuchtungskomponenten**





<b>Bild nein</b>	<b>Zubehörnummer</b>	<b>Chinesischer Name</b>
1	PAE2031-124	Schutzabdeckung
2	PAE2031-0305	Rundkopfschraube M6X16
3	PAE2031-09	Rundkopfschraube 3.9X9.5
4	PAE2031-125	Rundkopfschraube M4X12
5	PAE1031H-2104	Flache Unterlegscheibe
6	PAE1031H-2612	Sechskantmutter M3
7	PAE2031-126	Säule M3
8	PAE2031-127	Beleuchtungsplatine
9	PAE2031-128	Flache Unterlegscheibe
10	PAE2031-129	Innensechskantschrauben M3X6
11	PAE2031-130	Schutzplatte
12	PAE2031-131	Rundkopfschraube D.3.9X16
13	PAE2031-132	Außenabdeckung
14	PAE2031-133	Kabel L.2000mm

**Kapitel XVI Steuerkreis**





<b>Bild nein</b>	<b>Zubehörnummer</b>	<b>Chinesischer Name</b>
1	PAE2031-09	Rundkopfschraube 3.9X9.5
2	PAE2031-134	Rundkopfschraube M4X20
3	PAE2031-135	Sicherungsplatte
4	PAE2031-136	Schwarze Druckkappe D.79
5	PAE2031-137	Stützplatte
6	PAE2031-138	USB-Kabel
7	PAE2031-12	Innensechskantschrauben M4X10
8	PAE2031-139	Platine
9	PAE2031-140	Netzteil 150W 24V
10	PAE2031-141	Innensechskantschrauben M4X18
11	PAE2031-142	Flache Unterlegscheibe
12	PAE2031-143	Motorsteuerplatine
13	PAE2031-144	Kabel
14	PAE2031-145	USB-Erweiterungssteckplatz
15	PAE2031-146	Platine
16	PAE2031-147	Platine
17	PAE2031-148	Gleichrichter 115 / 250V 6A
18	PAE2031-149	Innensechskantschrauben M4X6
19	PAE2031-142	Flache Unterlegscheibe

**Kapitel XVII Schaltplan**

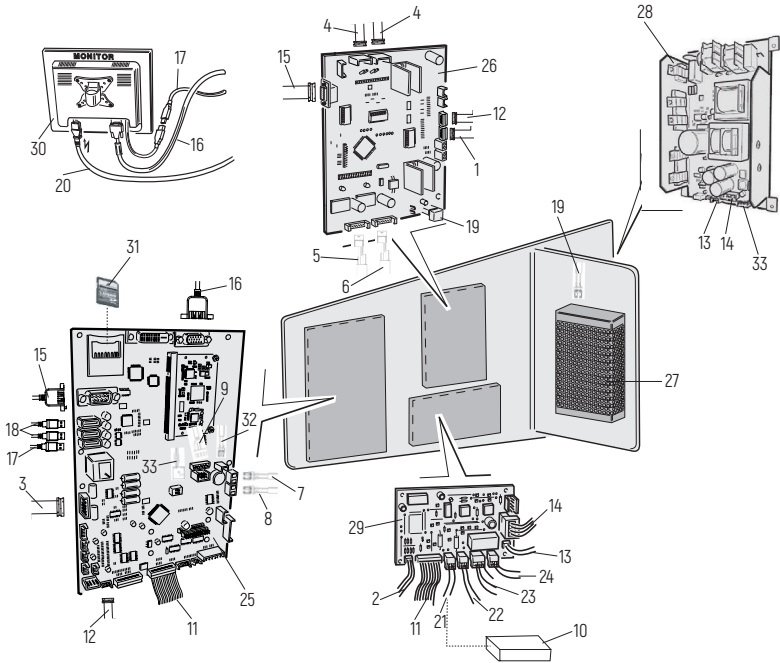




Bild nein	Zubehörnummer	Chinesischer Name
1	PAE2031-62	Flachkabel 8-adrig L.1100mm
2	PAE2031-63	Flachkabel 4-adrig L.800mm
3	PAE2031-57	Befestigungssitz
4	PAE2031-0230	Lasersensorkabel
5	PAE2031-0231	Kabel 4X0,22 6P L.650mm
6	PAE2031-0315	Kabel 4X0,22 6P L.900mm
7	PAE2031-150	Kabel 2x0,34 L.1100mm
8	PAE2031-0511	Kabel 2X1 L.1500mm
9	PAE2031-133	Kabel L.2000mm
10	PAE2031-151	Induktiver Filter
11	PAE2031-152	Flachkabel 9-fach L.250mm
12	PAE2031-153	Flachkabel 8-fach L.650mm
13	PAE2031-154	Netzkabel 6X0,22 L.510mm
14	PAE2031-155	Netzkabel SWITCH-MCM 48V
15	PAE2031-156	9-poliges Kabel L.2000mm
16	PAE2031-157	Verlängerungskabel 15HD L.3000mm
17	PAE2031-145	USB-Erweiterungssteckplatz
18	PAE2031-138	USB-Kabel
19	PAE1031H-186	Kabel 2P L.500mm
20	PAE2031-89	VDE-Netzkabel
21	PAE2031-47	Bremse
22	PAE2031-0102	Kupplung
23	PAE2031-46	Motor 48V
24	PAE2031-0101	Motorgetriebe



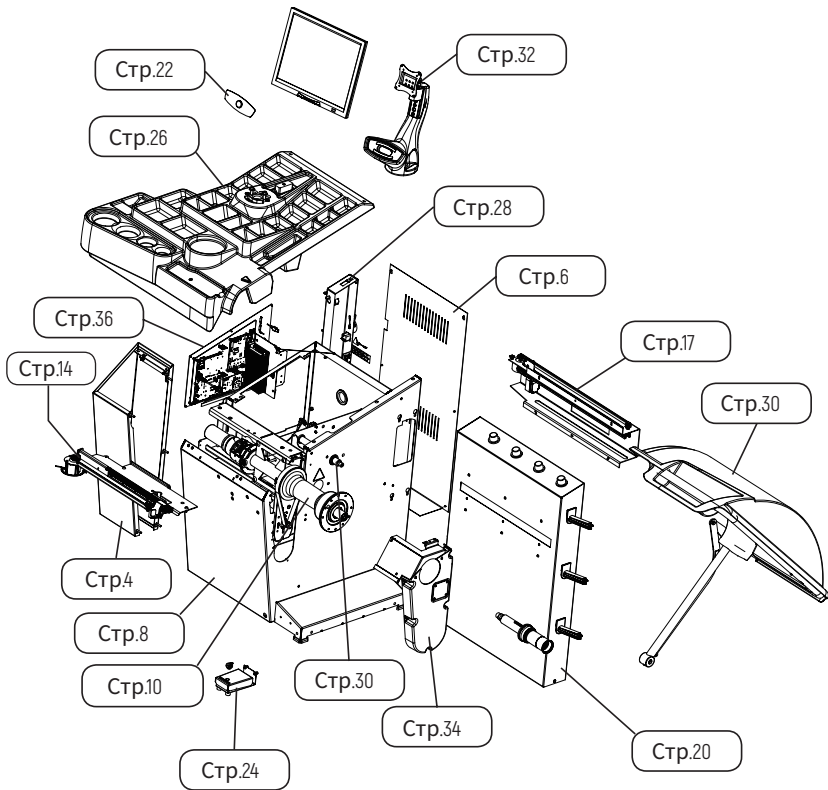


<b>Bild nein</b>	<b>Zubehörnummer</b>	<b>Chinesischer Name</b>
25	PAE2031-146	Platine
26	PAE2031-147	Platine
27	PAE2031-140	Netzteil 150W 24V
28	PAE2031-139	Platine
29	PAE2031-143	Motorsteuerplatine
30	PAE2031-158	LCD-Touchscreen-Display industrieller Qualität
31	PAE2031-159	Label
32	PAE2031-100	Kabel 2P L.1400mm
33	PAE2031-160	Kabel 2XAWG 22 L.400mm

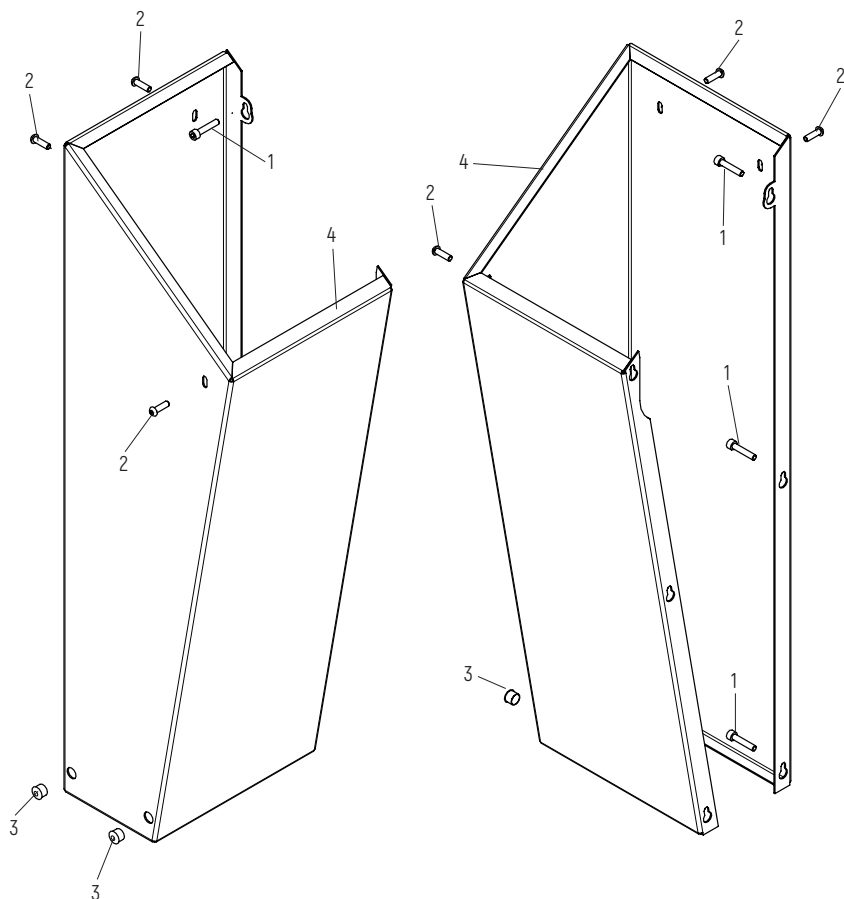
## Содержание

Глава I	Общий сборочный чертеж .....	115
Глава II	Левой колпак .....	116
Глава III	Задняя панель.....	117
Глава IV	Аппаратный ящик.....	118
Глава V	Компонент вала.....	120
Глава VI	Встроенное устройство лазерного обнаружения .....	124
Глава VII	Заднее устройство обнаружения.....	127
Глава VIII	Ящик заднего устройства обнаружения.....	130
Глава IX	Клавиатура.....	132
Глава X	Педальный выключатель .....	134
Глава XI	Колпак из свинцового грузка.....	136
Глава XII	Боковой колпак .....	138
Глава XIII	Защитный колпак шины.....	140
Глава XIV	Компонент основания дисплея .....	142
Глава XV	Компонент освещения .....	144
Глава XVI	Цепь управления.....	146
Глава XVII	Схема включения.....	148

## Глава I Общий сборочный чертеж

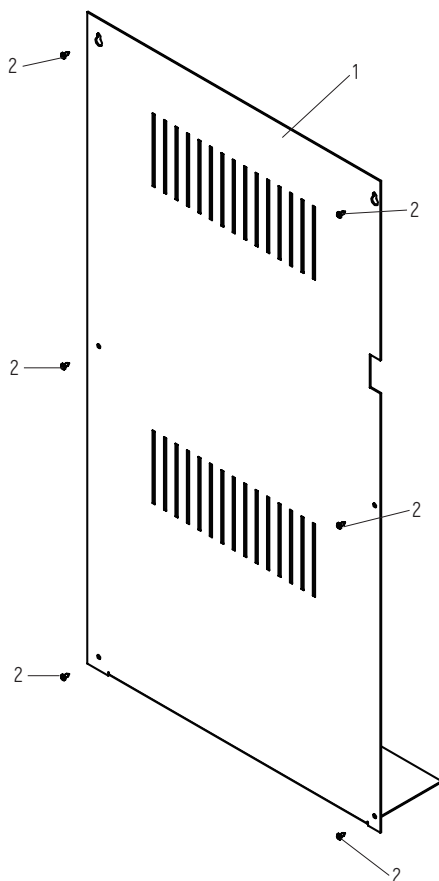


## Глава II Левой колпак



№ чертежа	Номер детали	Наименование детали на китайском языке
1	PAE1031H-0801	Винт с внутренним шестигранником M6X30
2	PAE2031-0304	Винт с круглой головкой M6X30
3	PAE2031-06	Нажимной колпак
4	PAE2031-07	Левой колпак

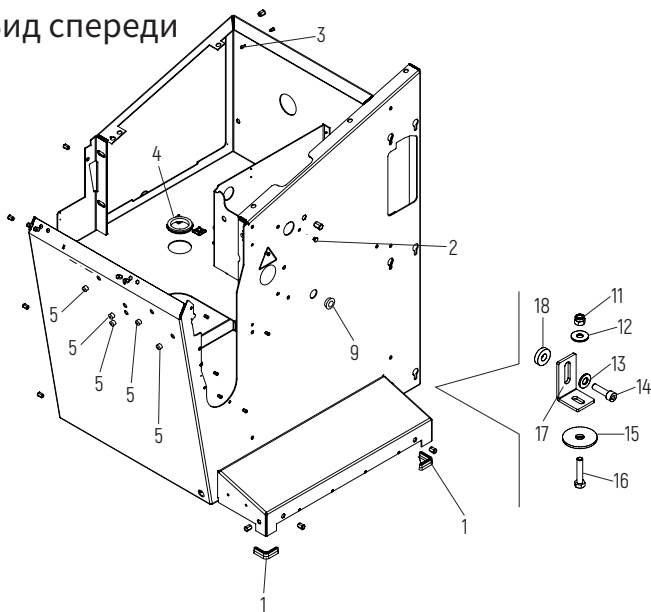
## Глава III Задняя панель



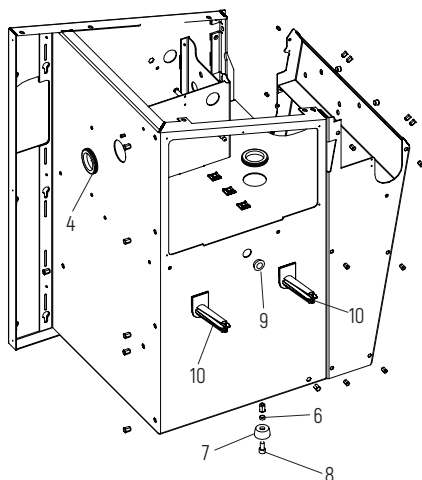
№ чертежа	Номер детали	Наименование детали на китайском языке
1	PAE2031-08	Задняя панель
2	PAE2031-09	Винт с круглой головкой D 3.9X9.5

## Глава IV Аппаратный ящик

Вид спереди

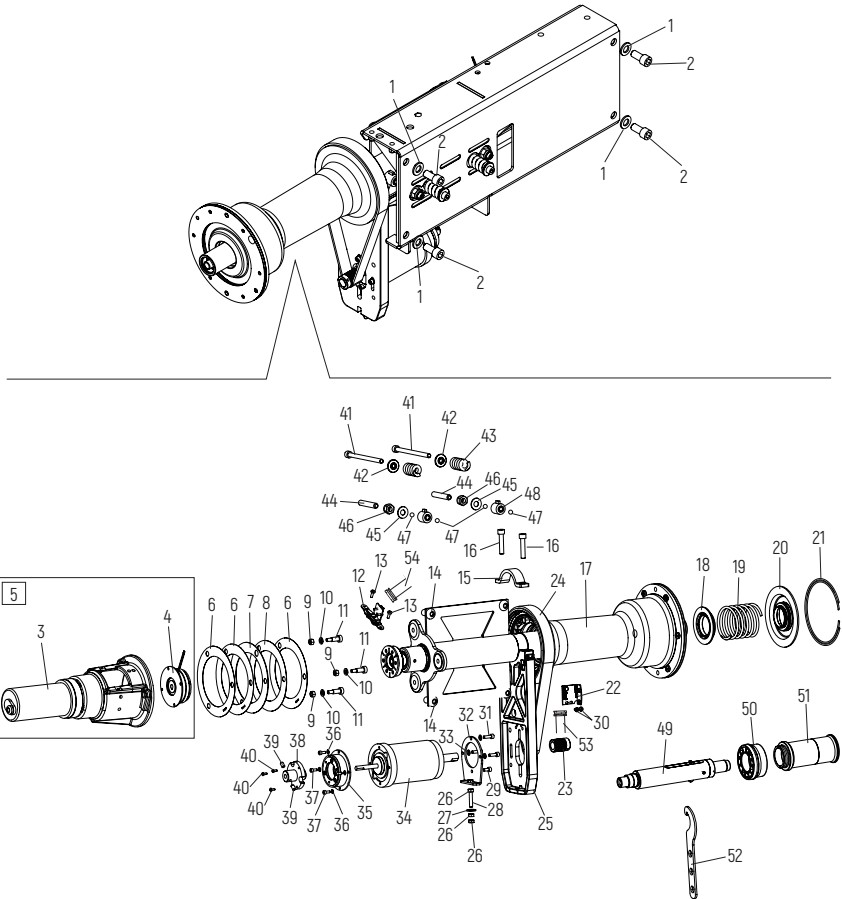


Вид сзади



№ чертежа	Номер детали	Наименование детали на китайском языке
1	PAE2031-10	Коврик 35X35
2	PAE2031-11	Пластиковый нажимной колпак
3	PAE2031-12	Винт с внутренним шестигранником M4X10
4	PAE2031-13	Манжета
5	PAE2031-06	Нажимной колпак
6	PAE2031-14	Шайба
7	PAE2031-15	Коврик
8	PAE1031H-1017	Винт с внутренним шестигранником M10X20
9	PAE2031-16	Нажимной колпак
10	PAE2031-17	Скользкая опора
11	PAE1031H-0107	Самозакрывающаяся гайка M8
12	PAE1031H-109	Плоская шайба
13	PAE1031H-73	Плоская шайба
14	PAE2031-18	Винт с внутренним шестигранником M10X30
15	PAE2031-19	Плоская шайба
16	PAE2031-20	Болт с шестигранной головкой M8X40
17	PAE2031-21	Неподвижная опора
18	PAE2031-22	Нейлоновая шайба

## Глава V Компонент вала



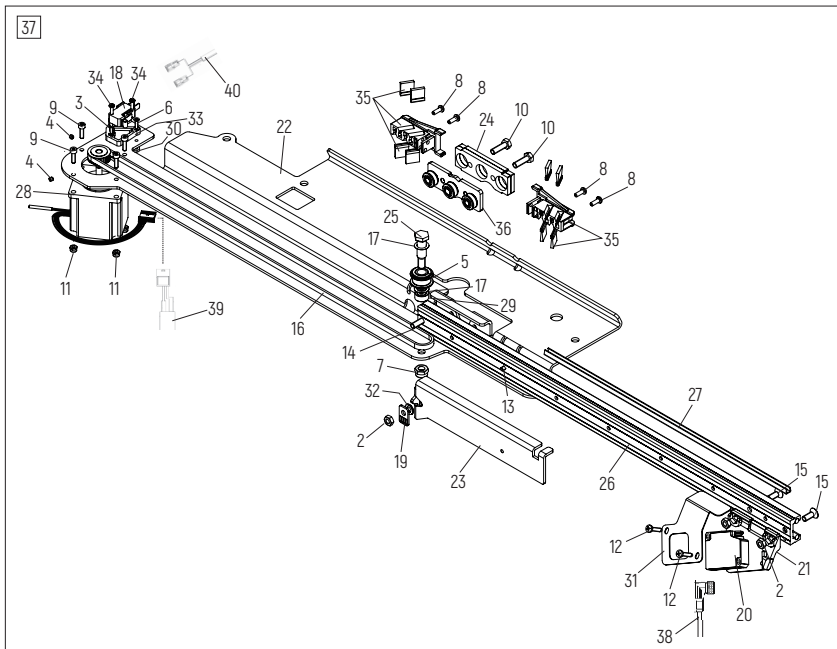
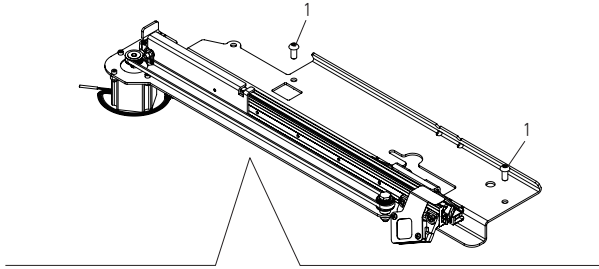


№ чертежа	Номер детали	Наименование детали на китайском языке
1	PAE1031H-103	Плоская шайба
2	PAE2031-23	Винт с внутренним шестигранником M12X25
3	PAE2031-0101	Коробка передач мотора
4	PAE2031-0102	Сцепление
5	PAE2031-01	Коробка передач в сборе
6	PAE2031-24	Плоская прокладка
7	PAE2031-25	Плоская прокладка
8	PAE2031-26	Плоская прокладка
9	PAE1032H-79	Самозакрывающаяся шестигранная гайка M6
10	PAE1031H-0102	Плоская шайба
11	PAE2031-27	Специальный винт 8X16 M6
12	PAE2031-28	Печатная плата отражённого кодирующего устройства
13	PAE2031-29	Крестовой винт с круглой головкой M4X12
14	PAE2031-30	Винт с круглой головкой M12X25
15	PAE2031-31	Фиксирующая пластина электродвигателя
16	PAE2031-32	Винт с внутренним шестигранником 1 / 2F M8X40
17	PAE2031-33	Компонент вала C
18	PAE2031-34	Нажимная плита седла пружинного клапана D40
19	PAE2031-35	Пружина D.4.8X66X121
20	PAE2031-36	Нажимная плита седла пружинного клапана D40
21	PAE2031-37	Эластичное кольцо D.127.5X2.5
22	PAE2031-38	Сканирующая печатная плата
23	PAE2031-39	Ременный шкив
24	PAE2031-40	Ремень

№ чертежа	Номер детали	Наименование детали на китайском языке
25	PAE2031-41	Седло электродвигателя
26	PAE1031H-87	Шестигранная гайка M6
27	PAE1032H-69	Плоская шайба
28	PAE2031-42	Болт с шестигранной головкой M6X50
29	PAE1031H-2203	Винт с внутренним шестигранником M5X10
30	PAE2031-43	Саморез с круглой головкой M4X6
31	PAE1031H-128	Винт с внутренним шестигранником M5X20
32	PAE2031-44	Фланец электродвигателя
33	PAE2031-45	Плоская шайба
34	PAE2031-46	Электродвигатель 48 V
35	PAE2031-47	Тормоз
36	PAE2031-0507	Плоская шайба
37	PAE2031-12	Винт с внутренним шестигранником M4X10
38	PAE2031-48	Колёсный тормоз
39	PAE2031-49	Винт с потайной головкой M6X9
40	PAE2031-50	Саморез с круглой головкой M3X8
41	PAE2031-51	Винт с внутренним шестигранником M8X120
42	PAE2031-52	Пружинная втулка
43	PAE2031-53	Пружина D.6X25X41
44	PAE2031-54	Винт с потайной головкой M10X60
45	PAE2031-55	Пружина D.10.2X23X1.25
46	PAE1031H-148	Самозакрывающаяся гайка M10
47	PAE2031-56	Шар 5/16 "
48	PAE2031-57	Неподвижное основание

№ чертежа	Номер детали	Наименование детали на китайском языке
49	PAE2031-58	Вал фиксации ступицы
50	PAE2031-59	Колёсная проставка
51	PAE2031-60	Зубчатое колесо сцепления
52	PAE2031-61	Специальный ключ
53	PAE2031-62	Плоский кабель 8-жильный L.1100 mm
54	PAE2031-63	Плоский кабель 4-жильный L.800 mm

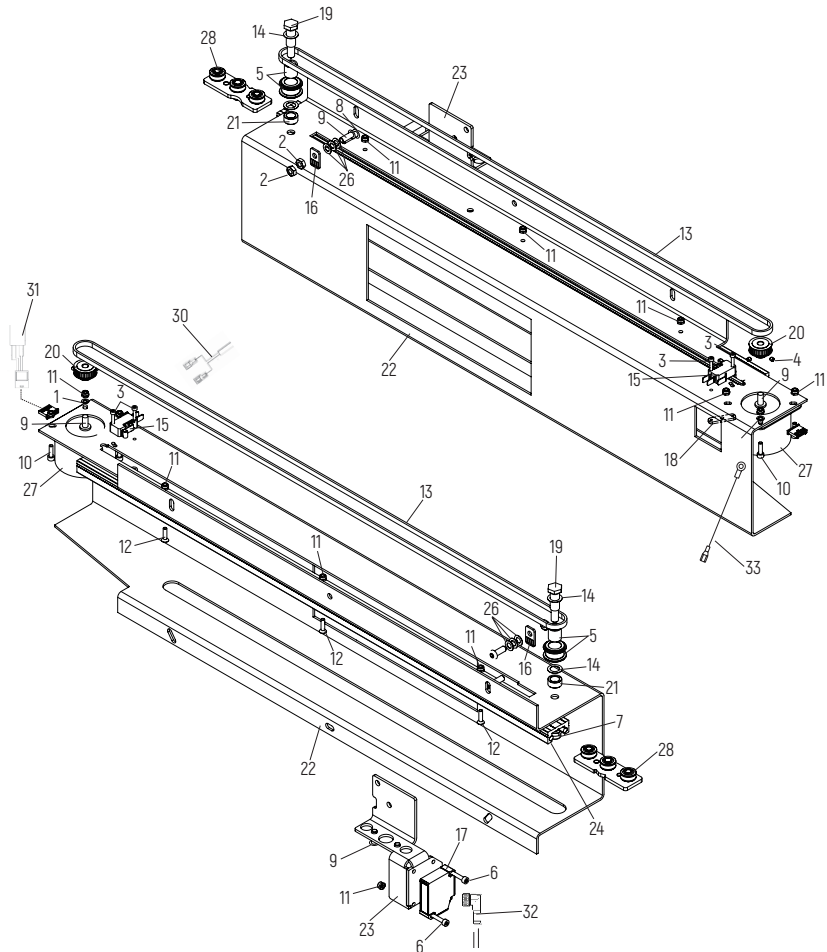
## Глава VI Встроенное устройство лазерного обнаружения



№ чертежа	Номер детали	Наименование детали на китайском языке
1	PAE2031-64	Винт с круглой головкой M8X18
2	PAE2031-0201	Шестигранная гайка M6
3	PAE1031H-2104	Плоская шайба
4	PAE2031-0202	Винт с шестигранной потайной головкой с круглой головкой M4X4
5	PAE2031-0203	Ременный шкив (с сиденьем)
6	PAE2031-0204	Винт с потайной головкой M3X12
7	PAE1031H-135	Самозакрывающаяся шестигранная гайка M8
8	PAE2031-0205	Спиральный конус M4X12
9	PAE2031-0206	Винт с внутренним шестигранником M4X14
10	PAE1031H-0109	Болт с шестигранной головкой M6X20
11	PAE1032H-3302	Самозакрывающаяся шестигранная гайка M4
12	PAE2031-0207	Спиральный конус M4X20
13	PAE1032H-0715	Винт с потайной головкой M4X20
14	PAE2031-0208	Винт с потайной головкой M4X8
15	PAE2031-0209	Винт с потайной головкой M6X16
16	PAE2031-0210	Ремень
17	PAE1032H-0712	Плоская шайба
18	PAE2031-0211	Микропереключатель
19	PAE2031-0212	Ременный направляющий диск
20	PAE2031-0213	Лазерный датчик
21	PAE2031-0214	Седло лазерного датчика
22	PAE2031-0215	Защитный щиток
23	PAE2031-0216	Колпак приводного ремня
24	PAE2031-0217	Поддон 5 mm

№ чертежа	Номер детали	Наименование детали на китайском языке
25	PAE2031-0218	Эксцентриковый палец D.10 M8
26	PAE2031-0219	Передний защитный щиток
27	PAE2031-0220	Кабельный лоток
28	PAE2031-0221	Электродвигатель (включая ременный шкив)
29	PAE2031-0222	Манжета D.10X15X6.5
30	PAE2031-0223	Миниатюрная карта регулировки
31	PAE2031-0224	Колпак лазерной головки
32	PAE2031-0225	Плоская шайба
33	PAE2031-0226	Маленькая опора
34	PAE2031-0227	Винт с круглой головкой M3X14
35	PAE2031-0228	Направляющее седло лопатки
36	PAE2031-0229	Бегунковый скат
37	PAE2031-02	Компонент устройства лазерного обнаружения
38	PAE2031-0230	Кабель лазерного датчика
39	PAE2031-0231	Кабель 4X0.22 6P L.650 mm
40	PAE2031-0232	Кабель 2P L.1400 mm

## Глава VII Заднее устройство обнаружения

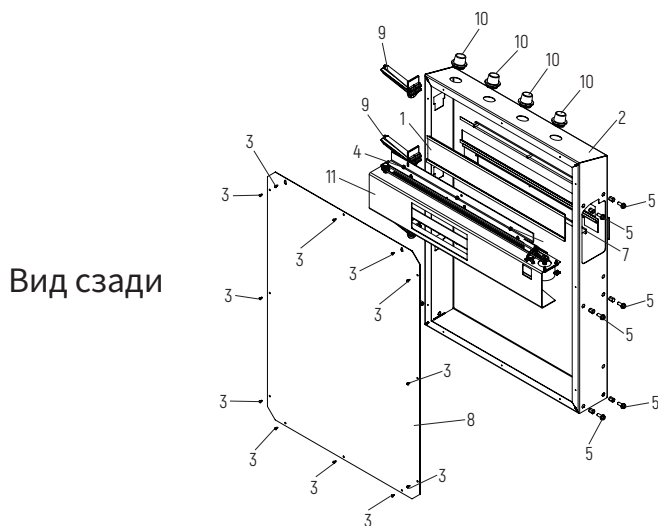
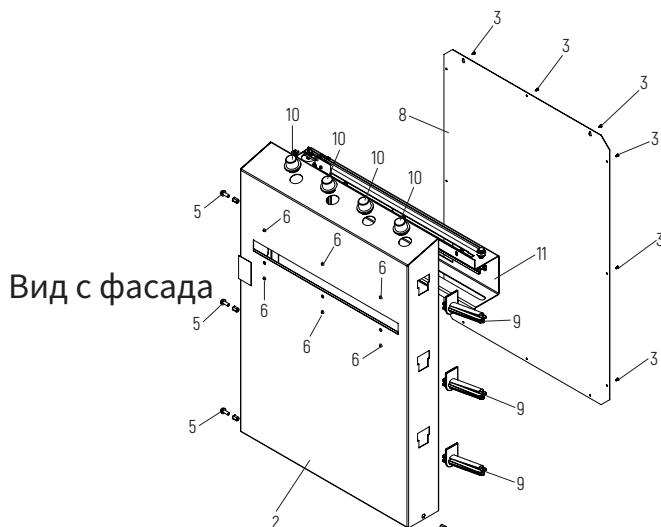


№ чертежа	Номер детали	Наименование детали на китайском языке
1	PAE2031-0301	Плоская шайба
2	PAE2031-0201	Шестигранная гайка M6
3	PAE2031-0302	Винт с внутренним шестигранником M3X16
4	PAE2031-0202	Винт с шестигранной потайной головкой с круглой головкой M4X5
5	PAE2031-0203	Ременный шкив (с сиденьем)
6	PAE2031-0303	Винт с внутренним шестигранником M4X25
7	PAE1031H-135	Самозакрывающаяся шестигранная гайка M8
8	PAE2031-0304	Винт с круглой головкой M6X20
9	PAE2031-0305	Винт с круглой головкой M6X16
	PAE2031-0206	Innensechskantschrauben M4X14
10	PAE2031-0206	Винт с внутренним шестигранником M4X14
11	PAE1032H-3302	Самозакрывающаяся шестигранная гайка M4
12	PAE2031-0306	Винт с потайной головкой M4X16
13	PAE2031-0307	Ремень
14	PAE1032H-0712	Плоская шайба
15	PAE2031-0211	Микропереключатель
16	PAE2031-0212	Ременный направляющий диск
17	PAE2031-0213	Лазерный датчик
18	PAE2031-0308	Миниатюрная карта регулировки
19	PAE2031-0218	Эксцентриковый палец D.10 M8
20	PAE2031-0309	Ременный шкив
21	PAE2031-0222	Манжета D.10X15X6.5
22	PAE2031-0310	Задняя опора устройства обнаружения
23	PAE2031-0311	Опора датчика
24	PAE2031-0312	Нижняя ветвь направляющих



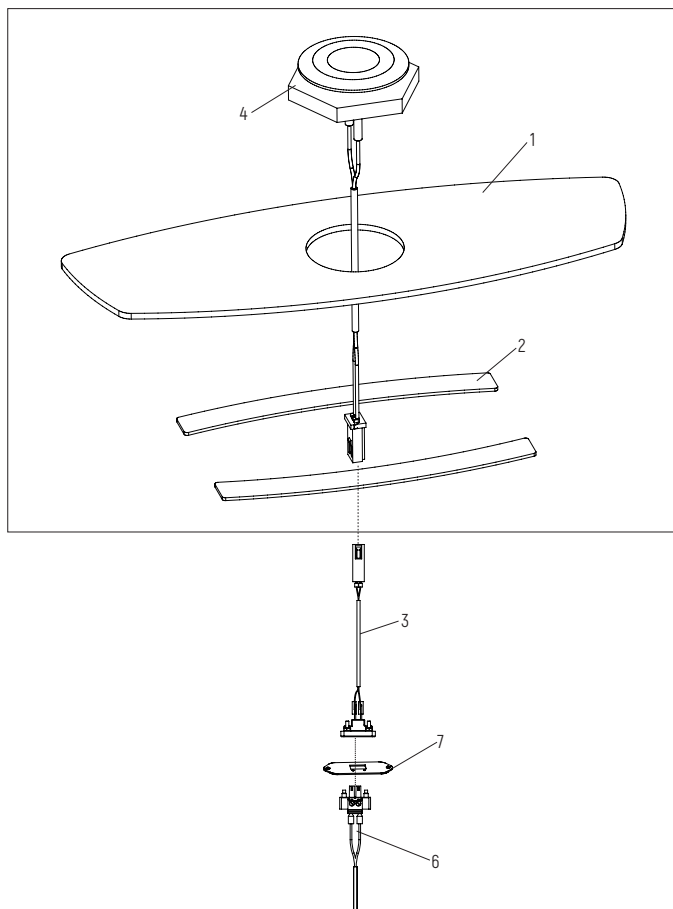
№ чертежа	Номер детали	Наименование детали на китайском языке
26	PAE2031-0225	Плоская шайба
27	PAE2031-0313	Электродвигатель 48PP
28	PAE2031-0229	Бегунковый скат
29	PAE2031-03	Компонент заднего устройства обнаружения
30	PAE2031-0314	Кабель 2P L1200 mm
31	PAE2031-0315	Кабель 4X0.22 6P L.900 mm
32	PAE2031-0230	Кабель лазерного датчика
33	PAE2031-0316	Кабель

## Глава VIII Ящик заднего устройства обнаружения



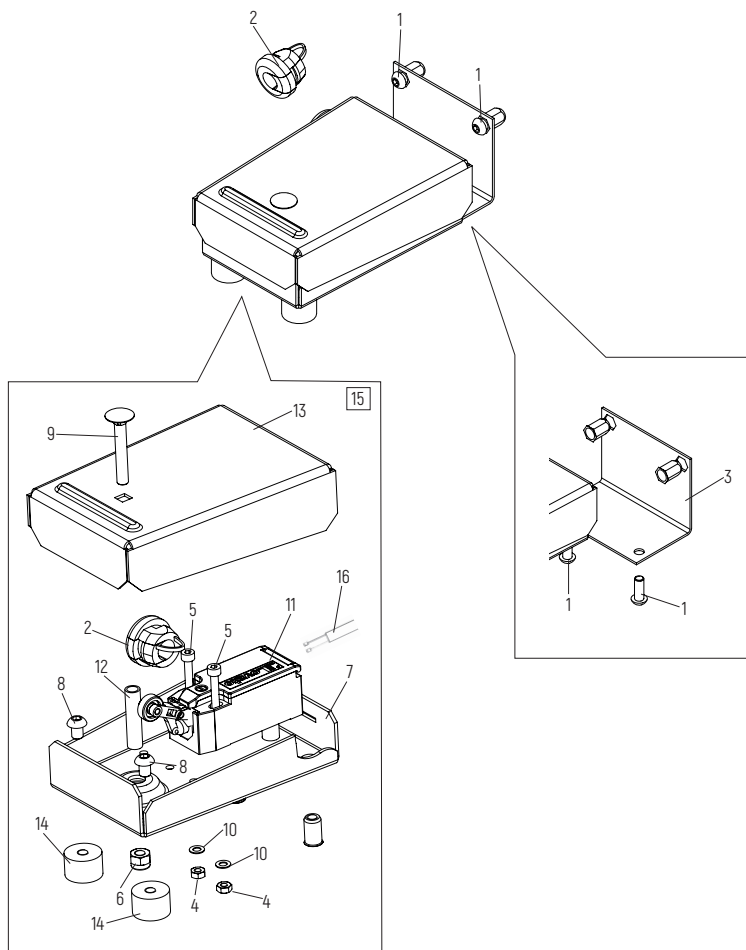
№ чертежа	Номер детали	Наименование детали на китайском языке
1	PAE2031-65	Оконное стекло
2	PAE2031-66	Оболочка (с этикеткой)
3	PAE2031-09	Винт с круглой головкой 3.9X9.5
4	PAE1032H-1418	Самозакрывающаяся шестигранная гайка M6
5	PAE2031-67	Винт с внутренним шестигранником M8X20
6	PAE2031-0304	Винт с круглой головкой M6X20
7	PAE2031-68	Прокладка
8	PAE2031-69	Задняя панель
9	PAE2031-17	Скользящая опора
10	PAE2031-70	Кронштейн конуса
11	PAE2031-03	Компонент заднего устройства обнаружения

# Глава IX Клавиатура



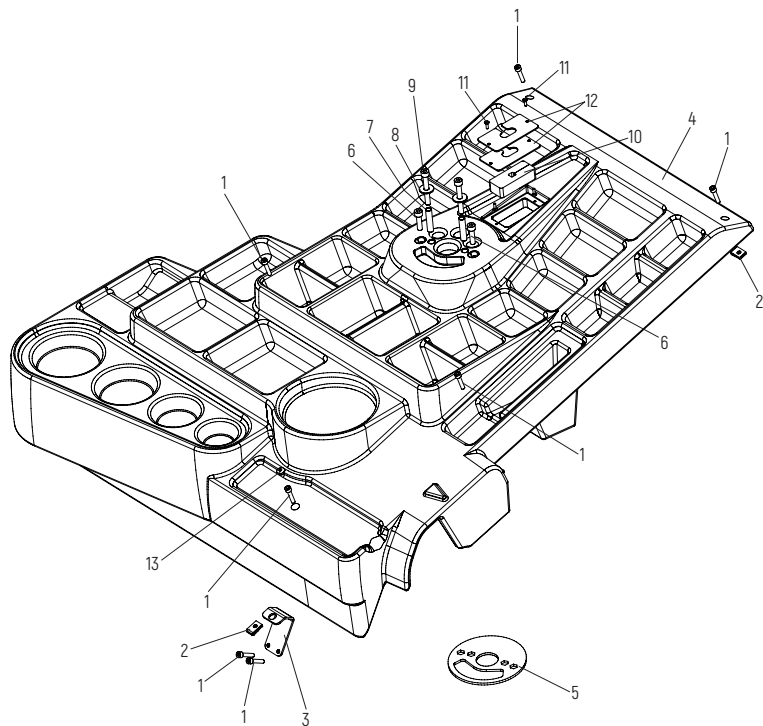
№ чертежа	Номер детали	Наименование детали на китайском языке
1	PAE2031-0401	Опорная пластина
2	PAE2031-0402	Этикетка двойного замыкания
3	PAE2031-71	Кабель 2X0.34 L.360 mm
4	PAE2031-0403	Кнопка (с кабелем)
5	PAE2031-04	Компонент кнопки
6	PAE2031-72	Кабель 2X0.34 L.1100 mm
7	PAE2031-73	Лист

## Глава X Педальный выключатель



№ чертежа	Номер детали	Наименование детали на китайском языке
1	PAE2031-0305	Винт с круглой головкой M6X16
2	PAE2031-0501	Кабельный разъем
3	PAE2031-74	Соединительная часть педали
4	PAE2031-0502	Шестигранная гайка M4
5	PAE2031-0503	Винт с внутренним шестигранником 1/2F M4X30
6	PAE1031H-0105	Самозакрывающаяся шестигранная гайка M6
7	PAE2031-0504	Нижняя соединительная планка
8	PAE2031-0505	Винт с круглой головкой M6X8
9	PAE2031-0506	Винт 1 / 2F M6X40
10	PAE2031-0507	Плоская шайба
11	PAE2031-0508	Микропереключатель 10A
12	PAE2031-0509	Манжета D.8X6X30
13	PAE2031-0510	Верхняя соединительная планка
14	PAE1031H-2207	Амортизирующая прокладка 20X13 M6X6
15	PAE2031-05	Компонент педали
16	PAE2031-0511	Кабель 2X1 L1500 mm

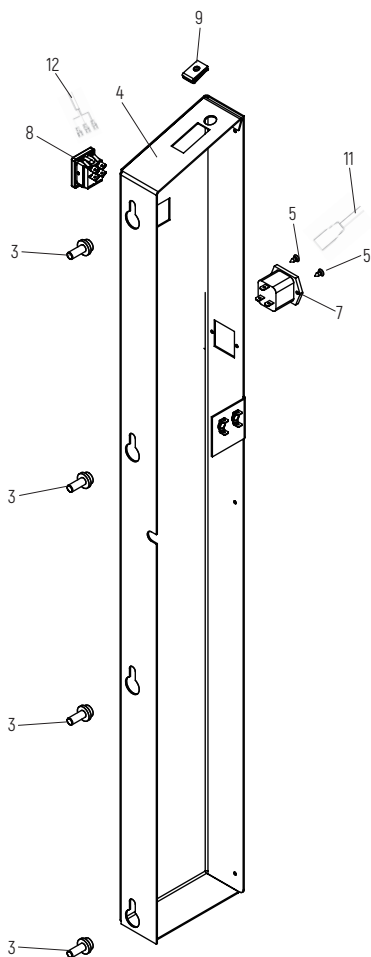
## Глава XI Колпак из свинцового груза





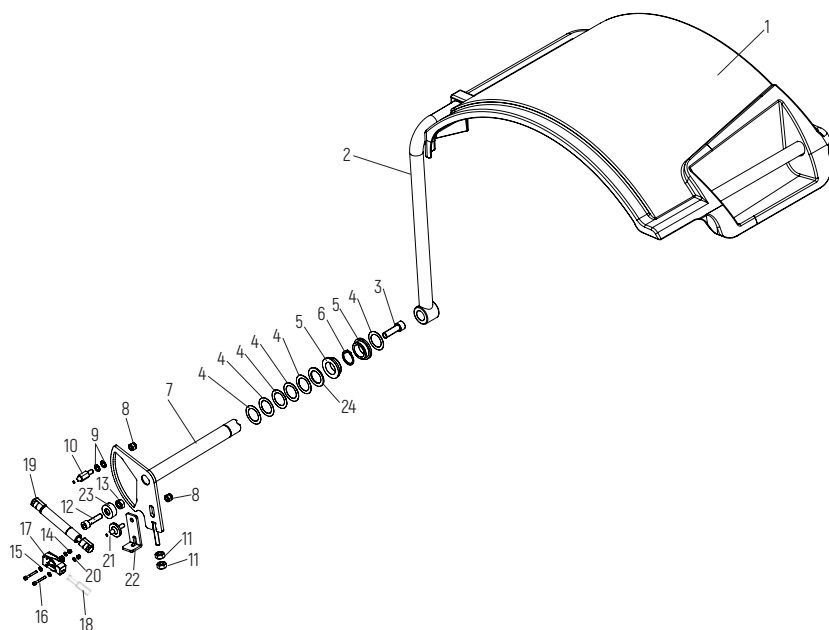
№ чертежа	Номер детали	Наименование детали на китайском языке
1	PAE1031H-0801	Винт с внутренним шестигранником M6X30
2	PAE1031H-1415	Вставная пластина M6
3	PAE2031-75	Пластина крепления
4	PAE2031-76	Колпак из свинцового грузка
5	PAE2031-77	Лист
6	PAE2031-78	Винт с внутренним шестигранником M8X30
7	PAE2031-79	Манжета D.8.1X10X44
8	PAE1031H-109	Плоская шайба
9	PAE2031-80	Винт с внутренним шестигранником M8X60
10	PAE2031-81	Колпак
11	PAE2031-0205	Спиральный конус D4X12
12	PAE2031-82	Кабельная катушка
13	PAE2031-83	Нажимной колпак D.11.1

## Глава XII Боковой колпак



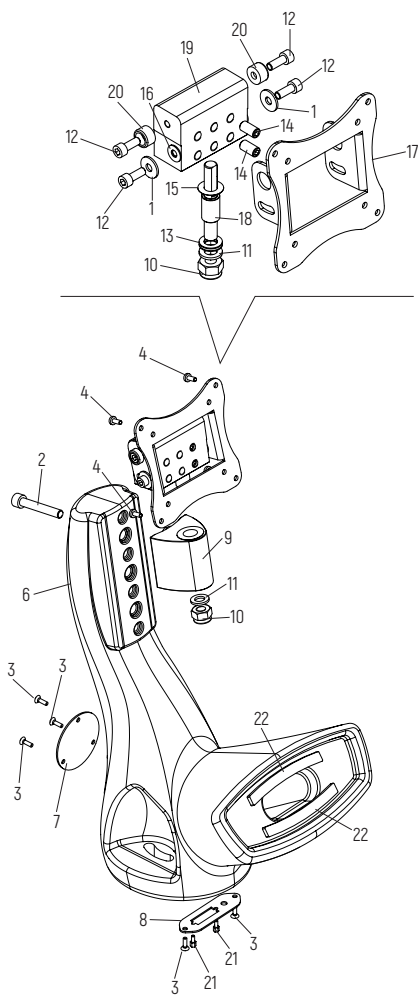
№ чертежа	Номер детали	Наименование детали на китайском языке
3	PAE2031-67	Винт с внутренним шестигранником M8X20
4	PAE2031-84	Боковой колпак
5	PAE2031-85	Саморез с потайной головкой D.3.9X9.5
7	PAE2031-86	Однофазная розетка 10A-250В
8	PAE2031-87	Переключатель
9	PAE1031H-1415	Вставная пластина M6
11	PAE2031-88	Кабель 2-2.5MT
12	PAE2031-89	Шнур питания VDE

## Глава XIII Защитный колпак шины



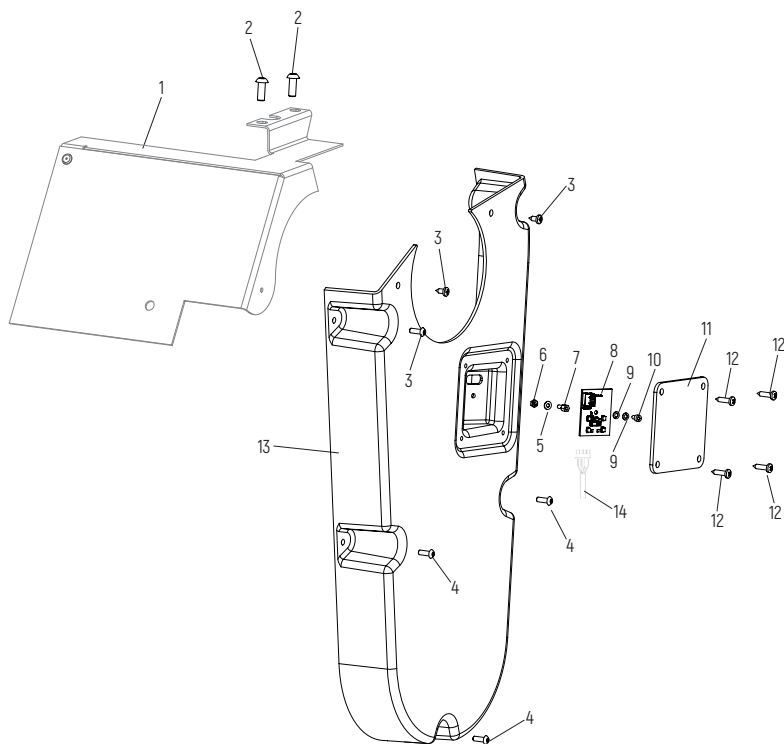
№ чертежа	Номер детали	Наименование детали на китайском языке
1	PAE2031-90	Защитный колпак колеса 44 "
2	PAE2031-91	Изогнутая труба защитного колпака
3	PAE2031-92	Винт с внутренним шестигранником M12X40
4	PAE2031-93	Плоская шайба
5	PAE2031-94	Втулка D.28X38X13
6	PAE2031-95	Запорное кольцо D.28
7	PAE2031-96	Палец
8	PAE1031H-0107	Самозакрывающаяся шестигранная гайка M8
9	PAE2031-97	Плоская шайба
10	PAE2031-98	Соединительная часть M8 D.10
11	PAE1031H-102	Шестигранная гайка M8
12	PAE2031-99	Винт с шестигранной головкой M10X25
13	PAE1031H-52	Шестигранная гайка M10
14	PAE1032H-3302	Самозакрывающаяся шестигранная гайка M4
15	PAE1031H-2005	Плоская шайба
16	PAE1031H-160	Винт с внутренним шестигранником 1/2F M4X30
17	PAE1031H-161	Микропереключатель 16A
18	PAE2031-100	Кабель 2P L.1400 mm
19	PAE2031-101	Пневматическая пружина,
20	PAE1031H-2910	Плоская шайба
21	PAE2031-102	Соединительная часть M8
22	PAE2031-103	Пружинная опора
23	PAE2031-104	Прокладка D.30X13
24	PAE2031-105	Плоская шайба

## Глава XIV Компонент основания дисплея



№ чертежа	Номер детали	Наименование детали на китайском языке
1	PAE2031-106	Плоская шайба
2	PAE1031H-251	Винт с внутренним шестигранником M8X50
3	PAE2031-107	Винт с круглой потайной головкой D.3.5X12
4	PAE2031-108	Крестовой винт с круглой головкой M4X10
6	PAE2031-109	Основание дисплея
7	PAE2031-110	Контрочная пластина
8	PAE2031-111	Пластина крепления
9	PAE2031-112	Прокладка
10	PAE1031H-148	Самозакрывающаяся гайка M10
11	PAE2031-113	Плоская шайба
12	PAE1031H-0815	Винт с внутренним шестигранником M6X16
13	PAE2031-114	Плоская шайба
14	PAE2031-115	Винт с потайной головкой M8X16
15	PAE2031-116	Плоская шайба
16	PAE2031-117	Плоская шайба
17	PAE2031-118	Зажимная пластина дисплея
18	PAE2031-119	Вертикальный палец
19	PAE2031-120	Соединительная часть корпуса
20	PAE2031-121	Соединительная часть опоры вкладыша
21	PAE2031-122	Опора
22	PAE2031-123	Этикетка

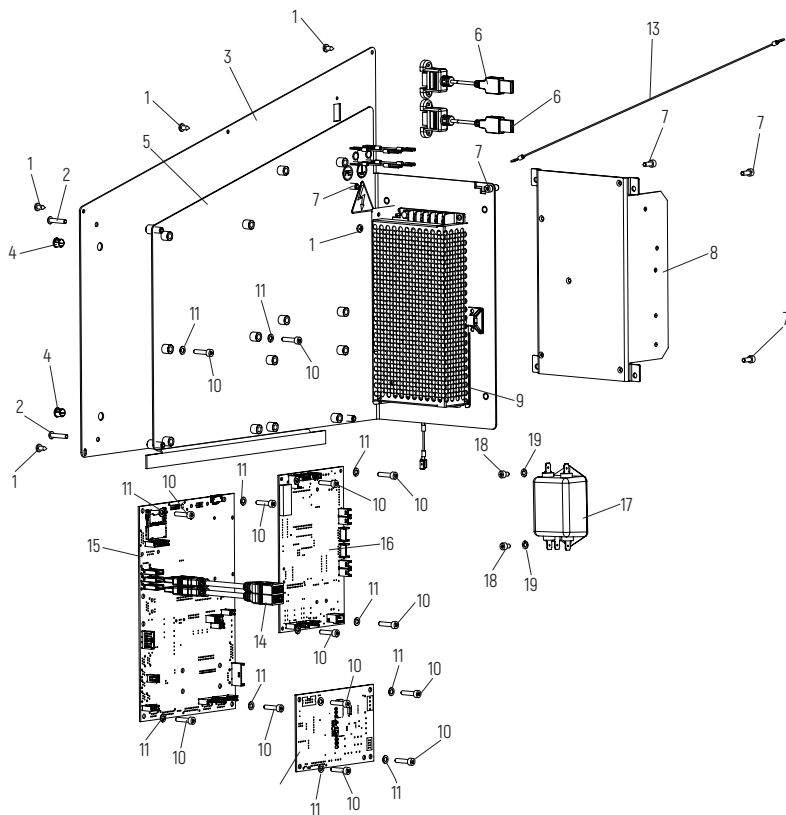
## Глава XV Компонент освещения





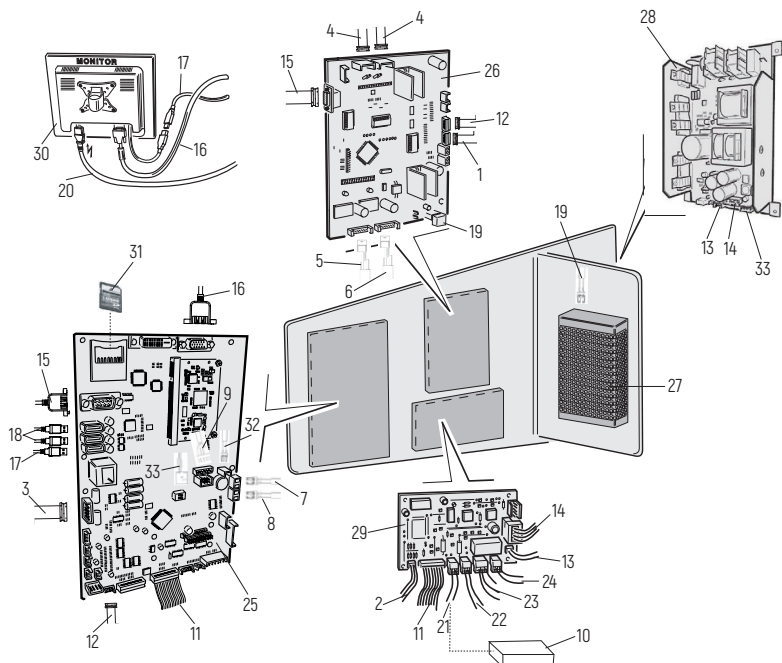
№ чертежа	Номер детали	Наименование детали на китайском языке
1	PAE2031-124	Защитный колпак
2	PAE2031-0305	Винт с круглой головкой M6X16
3	PAE2031-09	Винт с круглой головкой 3.9X9.5
4	PAE2031-125	Винт с круглой головкой M4X12
5	PAE1031H-2104	Плоская шайба
6	PAE1031H-2612	Шестигранная гайка M3
7	PAE2031-126	Опора M3
8	PAE2031-127	Схемная плата освещения
9	PAE2031-128	Плоская шайба
10	PAE2031-129	Винт с внутренним шестигранником M3X6
11	PAE2031-130	Защитный щиток
12	PAE2031-131	Винт с круглой головкой D.3.9X16
13	PAE2031-132	Наружный колпак
14	PAE2031-133	Кабель L.2000 mm

## Глава XVI Цепь управления



№ чертежа	Номер детали	Наименование детали на китайском языке
1	PAE2031-09	Винт с круглой головкой 3.9X9.5
2	PAE2031-134	Винт с круглой головкой M4X20
3	PAE2031-135	Запорная планка
4	PAE2031-136	Черный нажимной колпак D.7.9
5	PAE2031-137	Опорная пластина
6	PAE2031-138	Кабель USB
7	PAE2031-12	Винт с внутренним шестигранником M4X10
8	PAE2031-139	Схемная плата
9	PAE2031-140	Источник питания 150 W 24 V
10	PAE2031-141	Винт с внутренним шестигранником M4X18
11	PAE2031-142	Плоская шайба
12	PAE2031-143	Панель управления электродвигателя
13	PAE2031-144	Кабель
14	PAE2031-145	Слот расширения USB
15	PAE2031-146	Схемная плата
16	PAE2031-147	Схемная плата
17	PAE2031-148	Выпрямитель 115 / 250 V 6A
18	PAE2031-149	Винт с внутренним шестигранником M4X6
19	PAE2031-142	Плоская шайба

## Глава XVII Схема включения



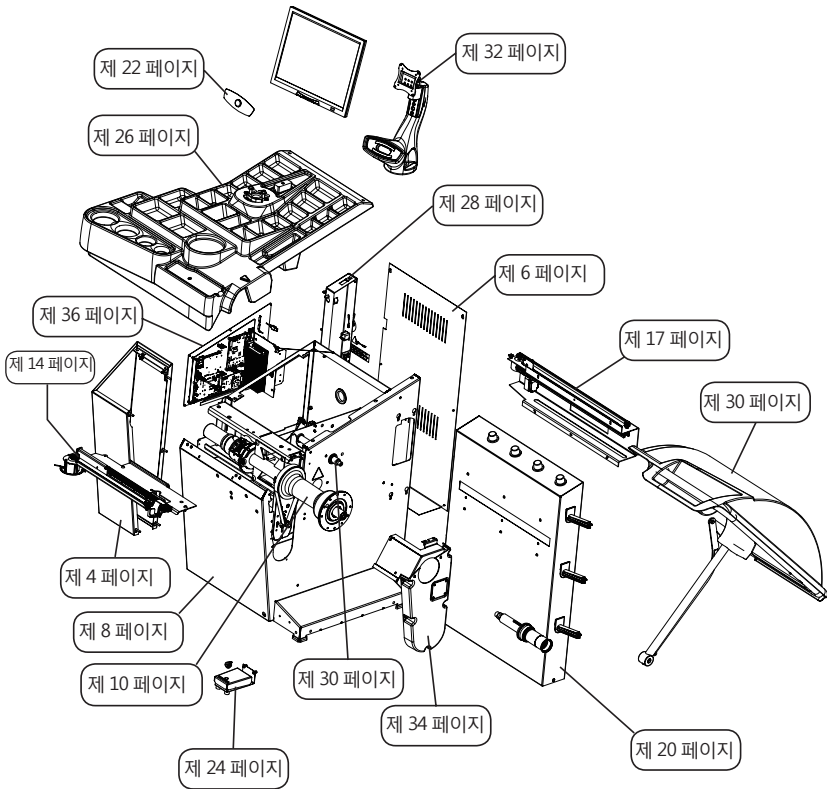
№ чертежа	Номер детали	Наименование детали на китайском языке
1	PAE2031-62	Плоский кабель 8-жильный L.1100 mm
2	PAE2031-63	Плоский кабель 4-жильный L.800 mm
3	PAE2031-57	Неподвижное основание
4	PAE2031-0230	Кабель лазерного датчика
5	PAE2031-0231	Кабель 4X0.22 6P L.650 mm
6	PAE2031-0315	Кабель 4X0.22 6P L.900 mm
7	PAE2031-150	Кабель 2X0,34 L.1100 mm
8	PAE2031-0511	Кабель 2X1 L.1500 mm
9	PAE2031-133	Кабель L.2000 mm
10	PAE2031-151	Индуктивный фильтр
11	PAE2031-152	Плоский кабель 9-WAY L.250 mm
12	PAE2031-153	Плоский кабель 8-WAY L.650 mm
13	PAE2031-154	Шнур питания 6X0.22 L.510 mm
14	PAE2031-155	Шнур питания SWITCH-MCM 48 V
15	PAE2031-156	9-контактная шина L.2000 mm
16	PAE2031-157	Удлинитель 15HD L.3000 mm
17	PAE2031-145	Слот расширения USB
18	PAE2031-138	Кабель USB
19	PAE1031H-186	Кабель 2P L.500 mm
20	PAE2031-89	Шнур питания VDE
21	PAE2031-47	Тормоз
22	PAE2031-0102	Сцепление
23	PAE2031-46	Электродвигатель 48 V
24	PAE2031-0101	Коробка передач мотора

№ чертежа	Номер детали	Наименование детали на китайском языке
25	PAE2031-146	Схемная плата
26	PAE2031-147	Схемная плата
27	PAE2031-140	Источник питания 150 W 24 V
28	PAE2031-139	Схемная плата
29	PAE2031-143	Панель управления электродвигателя
30	PAE2031-158	Монитор промышленного класса со сенсорным экраном LCD
31	PAE2031-159	Этикетка
32	PAE2031-100	Кабель 2P L1400 mm
33	PAE2031-160	Кабель 2XAWG 22 L400 mm

## 목록

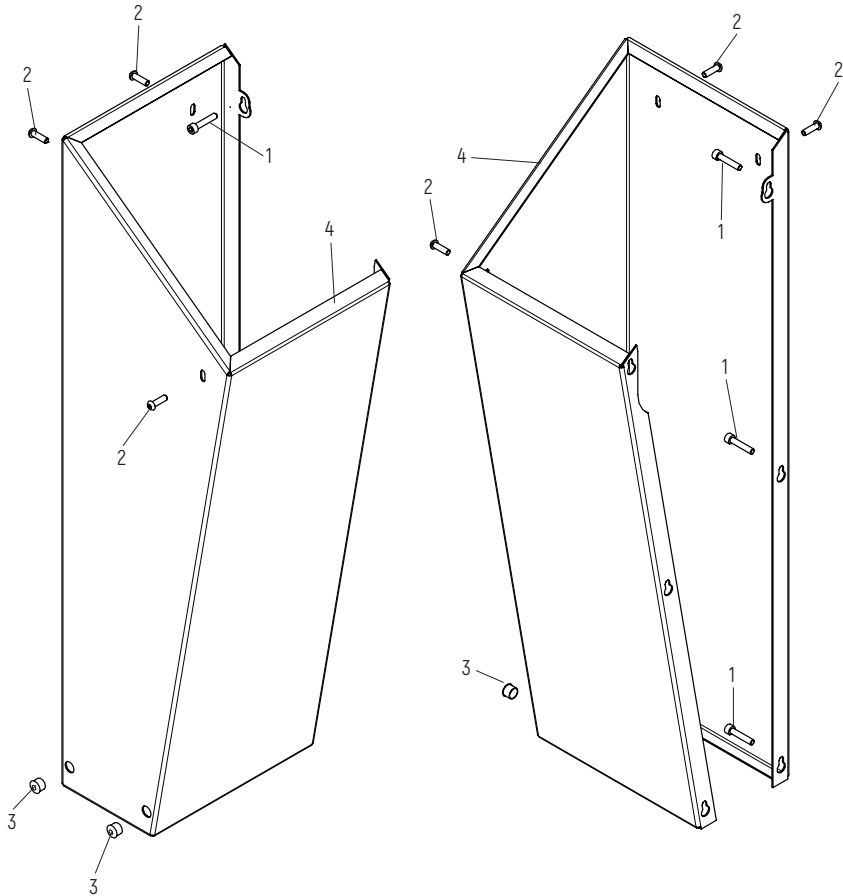
제 1 장	총 조립도.....	152
제 2 장	좌측 커버.....	153
제 3 장	백 커버.....	175
제 4 장	케이스.....	154
제 5 장	회전축 부품.....	157
제 6 장	내장 레이저검사 장치.....	161
제 7 장	후치 검사기.....	164
제 8 장	후치 검사기 케이스.....	167
제 9 장	건판.....	169
제 10 장	발판 스위치.....	171
제 11 장	납덩이하우징.....	173
제 12 장	옆 커버.....	175
제 13 장	타이어보호커버.....	177
제 14 장	모니터 거치대 부품.....	179
제 15 장	조명용 부품.....	181
제 16 장	제어 회로.....	183
제 17 장	전기 회로도.....	185

# 제 1 장 총 조립도



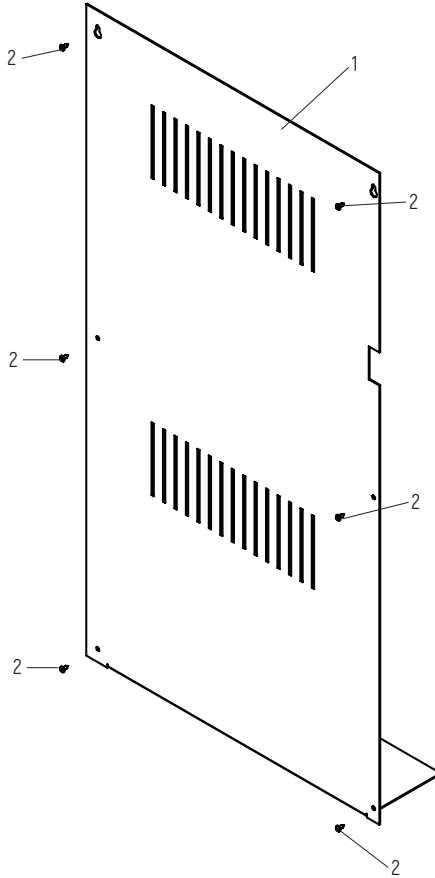


## 제 2 장 좌측 커버



도면번호	부품번호	중국어품명
1	PAE1031H-0801	렌치 볼트 M6X30
2	PAE2031-0304	동근머리나사 M6X30
3	PAE2031-06	육각렌치
4	PAE2031-07	좌측 커버

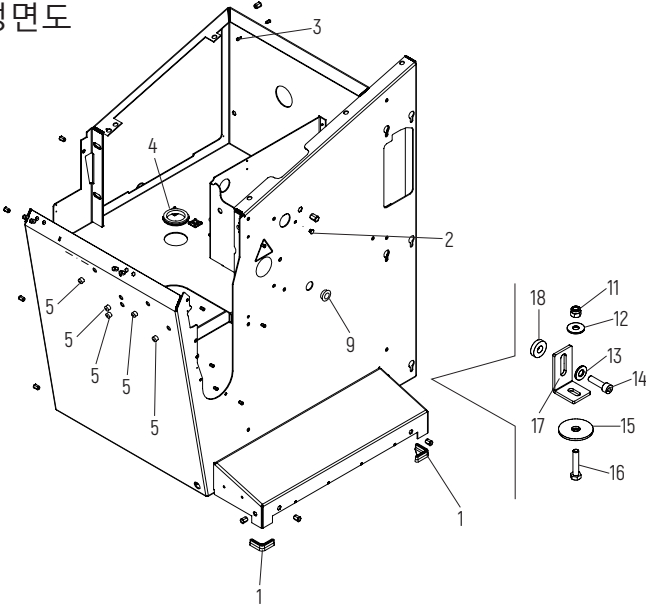
제 3 장 백 커버



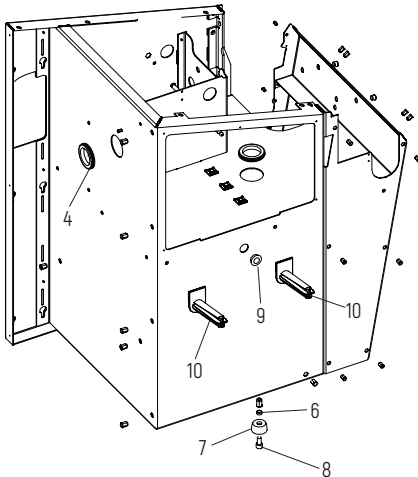
도면번호	부품번호	중국어품명
1	PAE2031-08	백 커버
2	PAE2031-09	동근머리나사 D 3.9X9.5

## 제 4 장 케이스

정면도

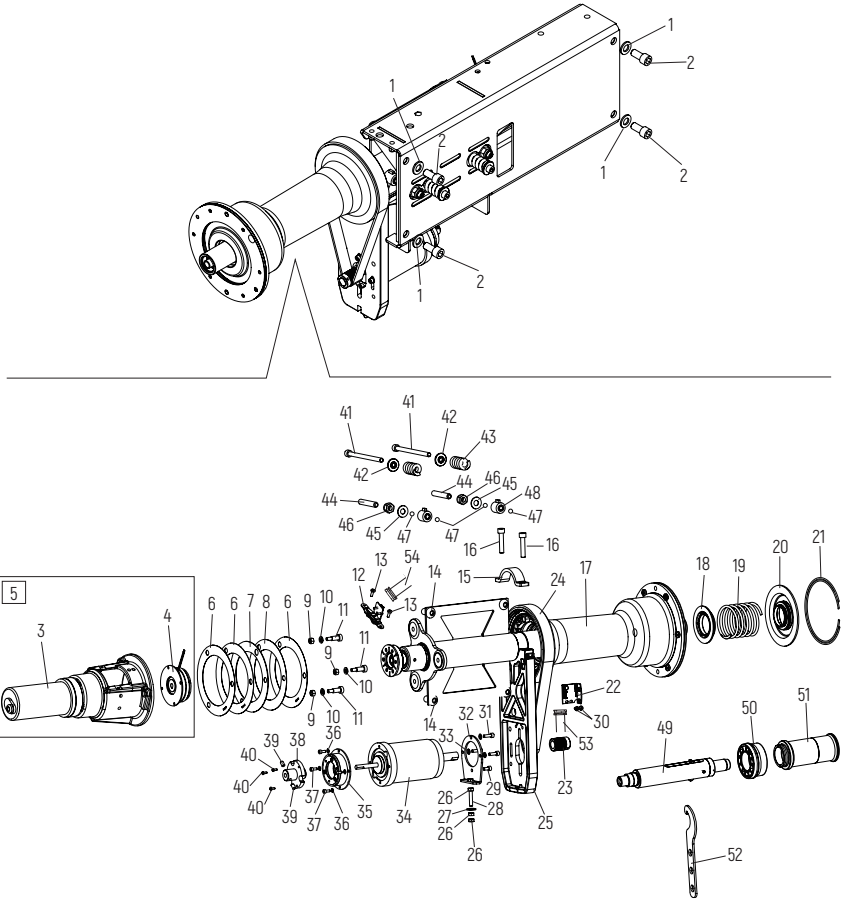


배면도



도면번호	부품번호	중국어품명
1	PAE2031-10	발판 35X35
2	PAE2031-11	플라스틱 볼트
3	PAE2031-12	렌치 볼트 M4X10
4	PAE2031-13	패킹
5	PAE2031-06	육각렌치
6	PAE2031-14	와셔
7	PAE2031-15	발판
8	PAE1031H-1017	렌치 볼트 M10X20
9	PAE2031-16	육각렌치
10	PAE2031-17	슬라이드 볼록
11	PAE1031H-0107	자동래치너트 M8
12	PAE1031H-109	평면와셔
13	PAE1031H-73	평면와셔
14	PAE2031-18	렌치 볼트 M10X30
15	PAE2031-19	평면와셔
16	PAE2031-20	육각 렌치 볼트 M8X40
17	PAE2031-21	고정용 지지대
18	PAE2031-22	나일론 와셔

## 제 5 장 회전축 부품



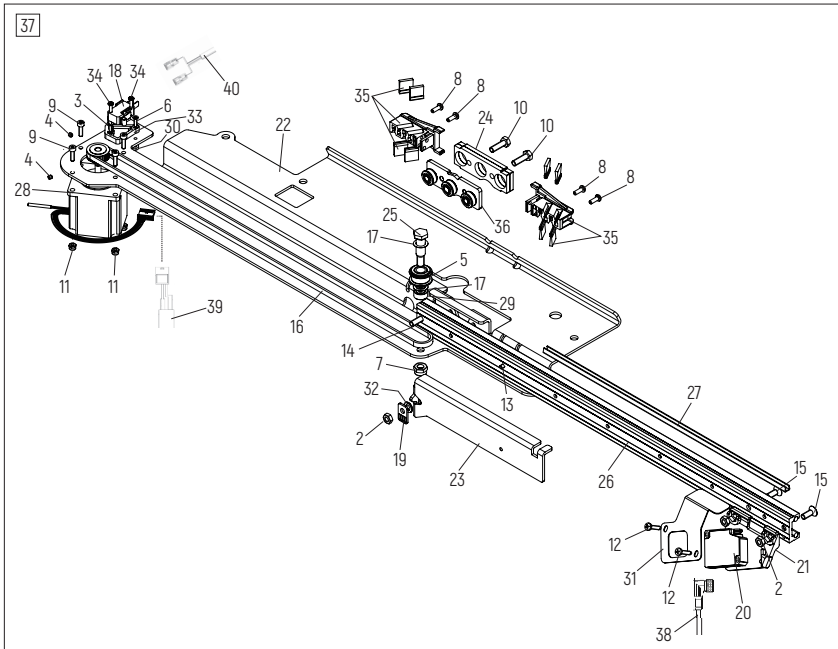
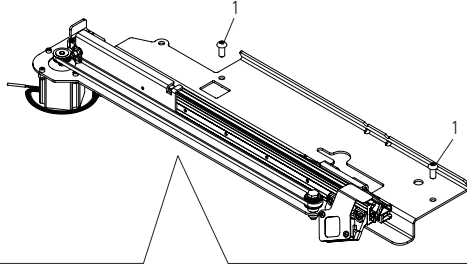
도면번호	부품번호	중국어품명
1	PAE1031H-103	평면와셔
2	PAE2031-23	렌치 볼트 M12X25
3	PAE2031-0101	모터 기어 박스
4	PAE2031-0102	클러치
5	PAE2031-01	기어박스 총 구성품
6	PAE2031-24	평 와셔
7	PAE2031-25	평 와셔
8	PAE2031-26	평 와셔
9	PAE1032H-79	자동래치너트 M6
10	PAE1031H-0102	평면와셔
11	PAE2031-27	특제나사 8X16 M6
12	PAE2031-28	반사코더회로판
13	PAE2031-29	동근머리십자나사 M4X12
14	PAE2031-30	동근머리 나사 M12X25
15	PAE2031-31	전기 고정판
16	PAE2031-32	렌치 볼트 1/2F M8X40
17	PAE2031-33	회전축 부품 C
18	PAE2031-34	스프링밸브 와셔판 D.40
19	PAE2031-35	스프링 D.4.8X66X121
20	PAE2031-36	스프링밸브 와셔판 D.40
21	PAE2031-37	탄성환 D.127.5X2.5
22	PAE2031-38	스캔 회로판
23	PAE2031-39	컨베이어 바퀴
24	PAE2031-40	컨베이어

도면번호	부품번호	중국어품명
25	PAE2031-41	모터 받침대
26	PAE1031H-87	육각나사 M6
27	PAE1032H-69	평면와셔
28	PAE2031-42	육각 렌치 볼트 M6X50
29	PAE1031H-2203	렌치 볼트 M5X10
30	PAE2031-43	동근머리 탭 나사 M4X6
31	PAE1031H-128	렌치 볼트 M5X20
32	PAE2031-44	모터 플랜지
33	PAE2031-45	평면와셔
34	PAE2031-46	모터 48V
35	PAE2031-47	브레이크
36	PAE2031-0507	평면와셔
37	PAE2031-12	렌치 볼트 M4X10
38	PAE2031-48	휠 브레이크
39	PAE2031-49	접시머리 나사 M6X9
40	PAE2031-50	동근머리 탭 나사 M3X8
41	PAE2031-51	렌치 볼트 M8X120
42	PAE2031-52	스프링 와셔
43	PAE2031-53	스프링 D.6X25X41
44	PAE2031-54	접시머리 나사 M10X60
45	PAE2031-55	스프링 D.10.2X23X1.25
46	PAE1031H-148	자동래치너트 M10
47	PAE2031-56	볼 5/16"
48	PAE2031-57	고정대

도면번호	부품번호	중국어품명
49	PAE2031-58	타이어 래치 축
50	PAE2031-59	타이어 스페이서
51	PAE2031-60	결합바퀴
52	PAE2031-61	전용 스페너
53	PAE2031-62	납작 케이블 8 칩 L.1100mm
54	PAE2031-63	납작 케이블 4 칩 L.800mm



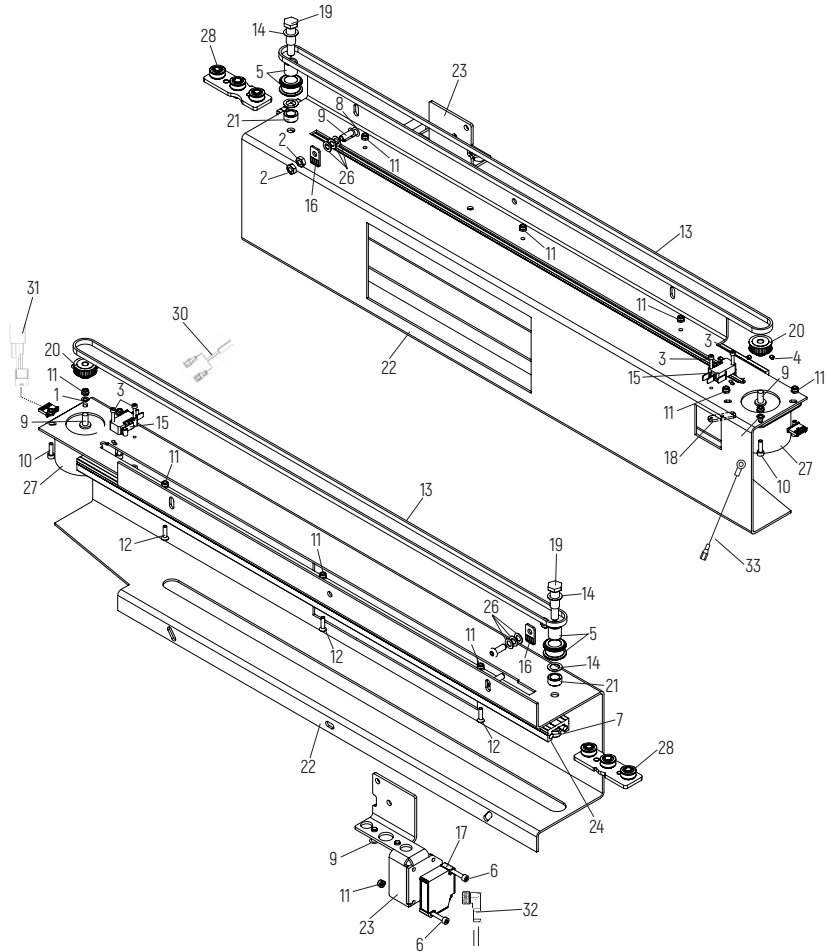
## 제 6 장 내장 레이저검사 장치



도면번호	부품번호	중국어품명
1	PAE2031-64	동근 머리 나사 M8X18
2	PAE2031-0201	육각나사 M6
3	PAE1031H-2104	평면와셔
4	PAE2031-0202	동근육각접시 머리 나사 M4X4
5	PAE2031-0203	컨베이어 바퀴 ( 받침대 유 )
6	PAE2031-0204	집시머리 나사 M3X12
7	PAE1031H-135	자동 래치 육각너트 M8
8	PAE2031-0205	너트 M4X12
9	PAE2031-0206	렌치 볼트 M4X14
10	PAE1031H-0109	육각 볼트 M6X20
11	PAE1032H-3302	자동 래치 육각너트 M4
12	PAE2031-0207	너트 M4X20
13	PAE1032H-0715	집시머리 나사 M6X20
14	PAE2031-0208	집시머리 나사 M4X8
15	PAE2031-0209	집시머리 나사 M6X16
16	PAE2031-0210	컨베이어
17	PAE1032H-0712	평면와셔
18	PAE2031-0211	소형 스위치
19	PAE2031-0212	컨베이어 유도판
20	PAE2031-0213	레이저 센서
21	PAE2031-0214	레이저 센서 거치대
22	PAE2031-0215	하우징
23	PAE2031-0216	컨베이어 하우징
24	PAE2031-0217	팔레트 5mm

도면번호	부품번호	중국어품명
25	PAE2031-0218	편심캠 D.10 M8
26	PAE2031-0219	정면 보호판
27	PAE2031-0220	배선 홈
28	PAE2031-0221	모터 ( 컨베이어 바퀴 포함 )
29	PAE2031-0222	스페이서링 D.10X15X6.5
30	PAE2031-0223	소형 플랩
31	PAE2031-0224	레이저 헤드 하우징
32	PAE2031-0225	평면와셔
33	PAE2031-0226	소형 받침대
34	PAE2031-0227	동근머리 나사 M3X14
35	PAE2031-0228	베인방향 유도장치
36	PAE2031-0229	유도용바퀴세트
37	PAE2031-02	레이저 검사 장치 부품
38	PAE2031-0230	레이저 센서 케이블
39	PAE2031-0231	케이블 4X0.22 6P L.650mm
40	PAE2031-0232	케이블 2P L.1400mm

## 제 7 장 후치 검사기

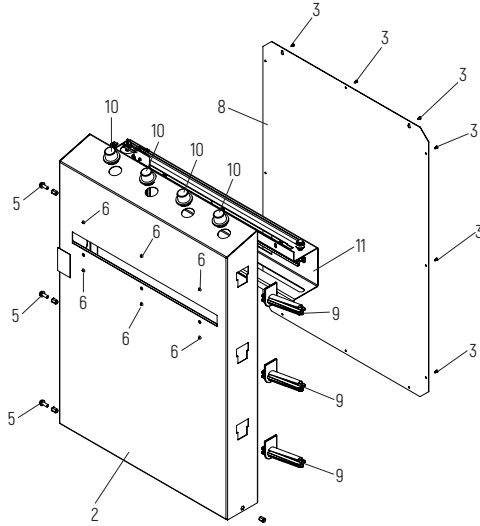


도면번호	부품번호	중국어품명
1	PAE2031-0301	평면와셔
2	PAE2031-0201	육각나사 M6
3	PAE2031-0302	렌치 볼트 M3X16
4	PAE2031-0202	동근육각접시 머리 나사 M4X5
5	PAE2031-0203	컨베이어 바퀴 ( 받침대 유 )
6	PAE2031-0303	렌치 볼트 M4X25
7	PAE1031H-135	자동 래치 육각너트 M8
8	PAE2031-0304	동근머리 나사 M6X20
9	PAE2031-0305	동근머리 나사 M6X16
10	PAE2031-0206	렌치 볼트 M4X14
11	PAE1032H-3302	자동 래치 육각너트 M4
12	PAE2031-0306	집시머리 나사 M4X16
13	PAE2031-0307	컨베이어
14	PAE1032H-0712	평면와셔
15	PAE2031-0211	소형 스위치
16	PAE2031-0212	컨베이어 유도판
17	PAE2031-0213	레이저 센서
18	PAE2031-0308	소형 플랩
19	PAE2031-0218	편심캠 D.10 M8
20	PAE2031-0309	컨베이어 바퀴
21	PAE2031-0222	스페이서링 D.10X15X6.5
22	PAE2031-0310	검사기 후치 받침대
23	PAE2031-0311	센서 받침대
24	PAE2031-0312	하측 유도 궤도

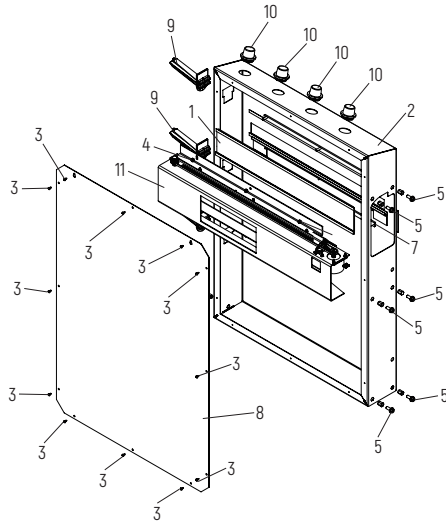
도면번호	부품번호	중국어품명
26	PAE2031-0225	평면와셔
27	PAE2031-0313	모터 48PP
28	PAE2031-0229	유도용바퀴세트
29	PAE2031-03	후치 검측기 부품
30	PAE2031-0314	케이블 2P L.1200mm
31	PAE2031-0315	케이블 4X0.22 6P L.900mm
32	PAE2031-0230	레이저 센서 케이블
33	PAE2031-0316	케이블

## 제 8 장 후치 검사기 케이스

정면도



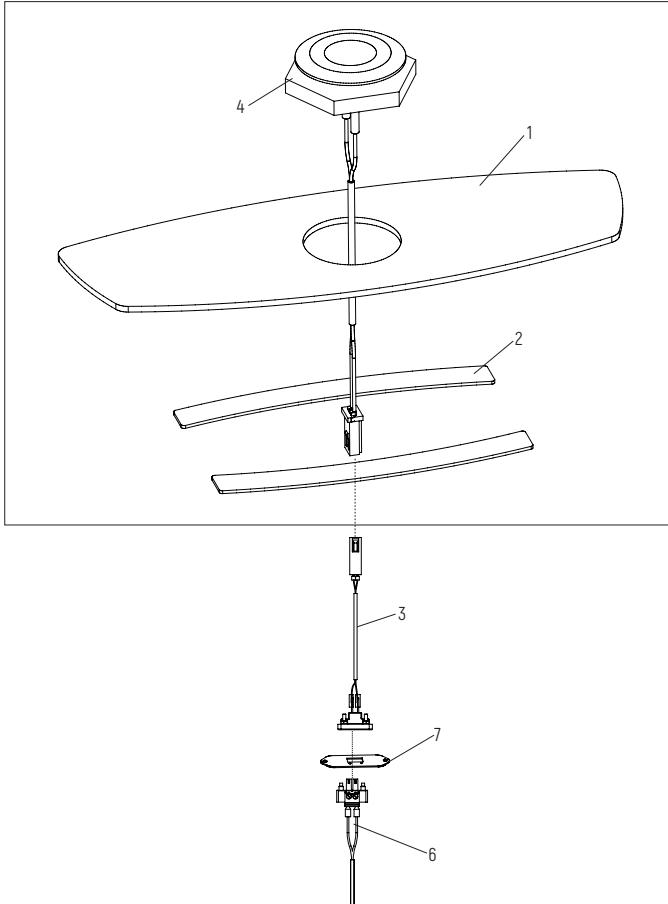
배면도



도면번호	부품번호	중국어품명
1	PAE2031-65	유리판
2	PAE2031-66	커버 ( 라벨 포함 )
3	PAE2031-09	동근머리 나사 3.9X9.5
4	PAE1032H-1418	자동래치너트 M6
5	PAE2031-67	렌치 볼트 M8X20
6	PAE2031-0304	동근머리 나사 M6X20
7	PAE2031-68	받침판
8	PAE2031-69	백 커버
9	PAE2031-17	슬라이드 블록
10	PAE2031-70	발레트
11	PAE2031-03	후치 검측기 부품

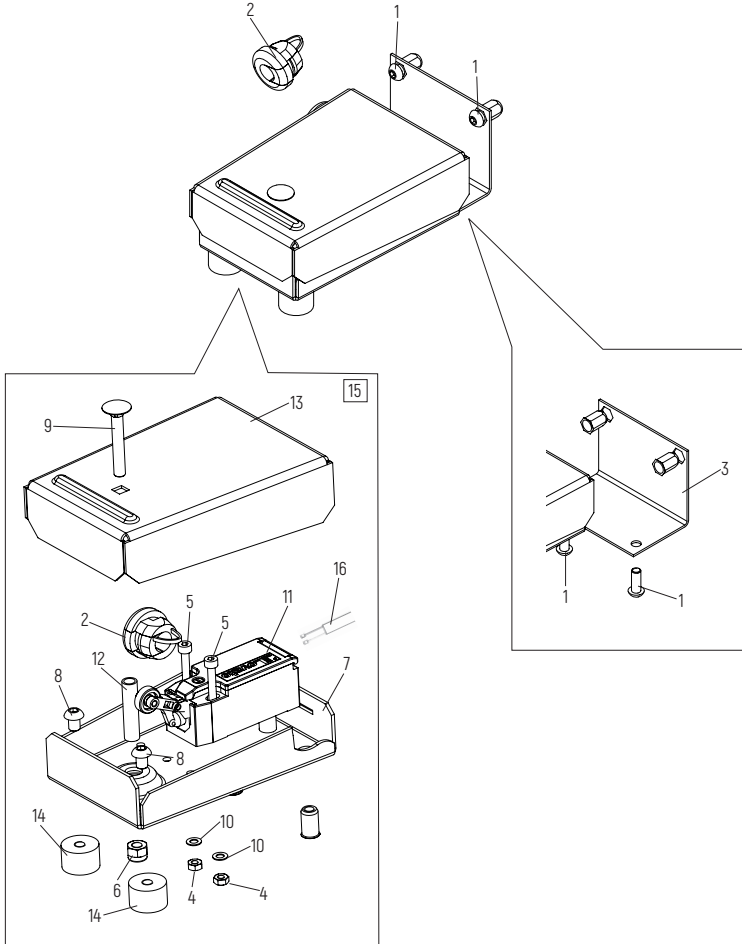


제 9 장 건판



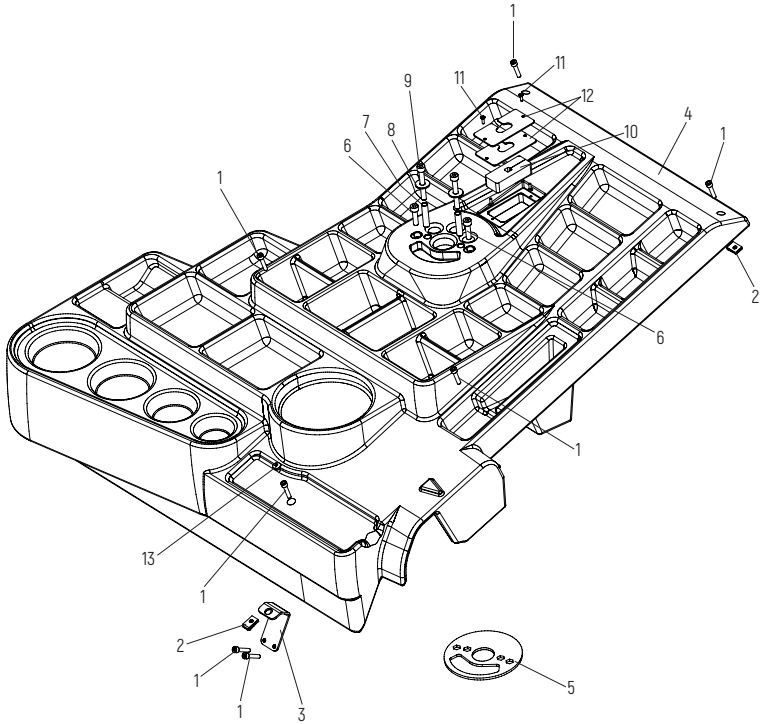
도면번호	부품번호	중국어품명
1	PAE2031-0401	지지판
2	PAE2031-0402	이중 고정시킨 라벨
3	PAE2031-71	케이블 2X0.34 L.360mm
4	PAE2031-0403	버튼 ( 케이블 포함 )
5	PAE2031-04	버튼 부품
6	PAE2031-72	케이블 2x0.34 L. 1100mm
7	PAE2031-73	칩

## 제 10 장 발판 스위치



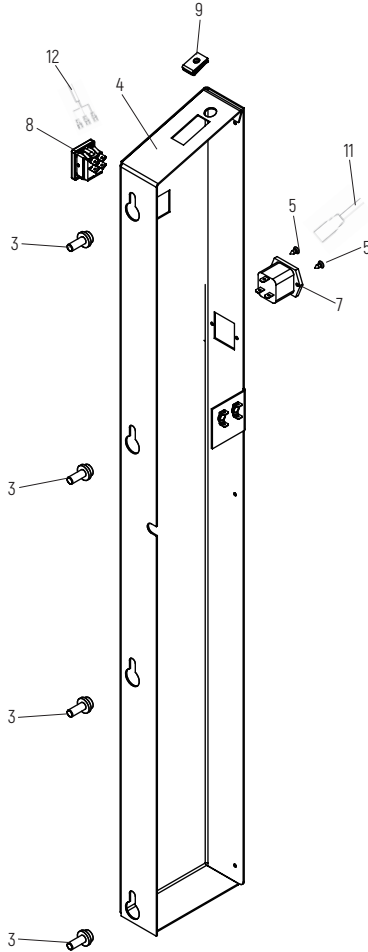
도면번호	부품번호	중국어품명
1	PAE2031-0305	동근머리 나사 M6X16
2	PAE2031-0501	케이블커넥터
3	PAE2031-74	발판 연결용 부품
4	PAE2031-0502	육각 너트 M4
5	PAE2031-0503	렌치 볼트 1/2F M4X30
6	PAE1031H-0105	자동래치너트 M6
7	PAE2031-0504	하측 연결플랩
8	PAE2031-0505	동근머리 나사 M6X8
9	PAE2031-0506	나사 1/2F M6X40
10	PAE2031-0507	평면와셔
11	PAE2031-0508	미동 스위치 10A
12	PAE2031-0509	스페이서링 D8X6X30
13	PAE2031-0510	상측 연결플랩
14	PAE1031H-2207	충격 완화 매트링 20X13 M6X6
15	PAE2031-05	발판 부품
16	PAE2031-0511	케이블 2X1 L.1500mm

제 11 장 납땜이하우징



도면번호	부품번호	중국어품명
1	PAE1031H-0801	렌치 볼트 M6X30
2	PAE1031H-1415	삽입 칩 M6
3	PAE2031-75	고정용칩판
4	PAE2031-76	납덩이하우징
5	PAE2031-77	칩
6	PAE2031-78	렌치 볼프 M8X30
7	PAE2031-79	스페이서링 D.8.1X10X44
8	PAE1031H-109	평면와셔
9	PAE2031-80	렌치 볼프 M8X60
10	PAE2031-81	너트
11	PAE2031-0205	너트 D.4X12
12	PAE2031-82	케이블 판
13	PAE2031-83	렌치 D.11.1

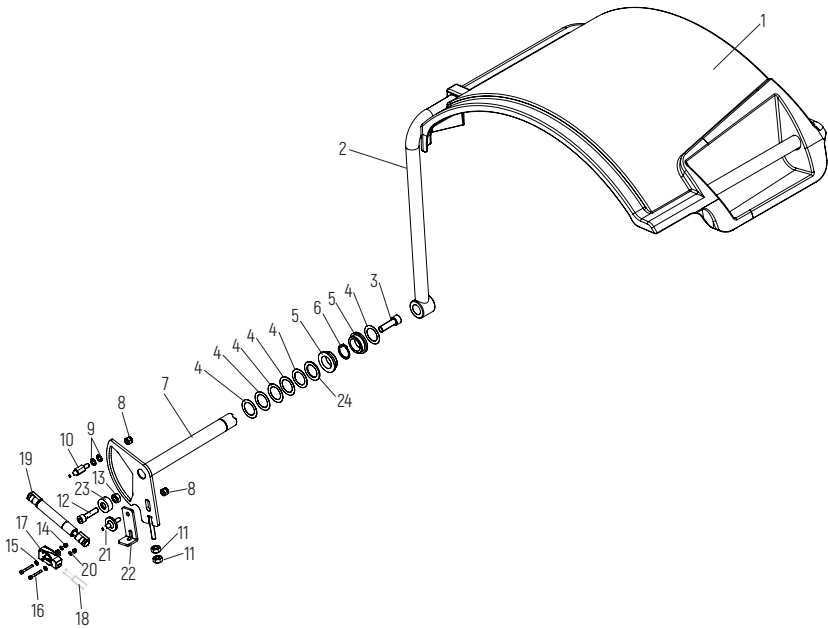
# 제 12 장 옆 커버



도면번호	부품번호	중국어품명
3	PAE2031-67	렌치 볼트 M8X20
4	PAE2031-84	옆 커버
5	PAE2031-85	집시머리탭나사 D.3.9X9.5
7	PAE2031-86	단상 콘센트
8	PAE2031-87	스위치
9	PAE1031H-1415	삼입 칩 M6
11	PAE2031-88	케이블 2-2.5MT
12	PAE2031-89	VDE 전원 케이블

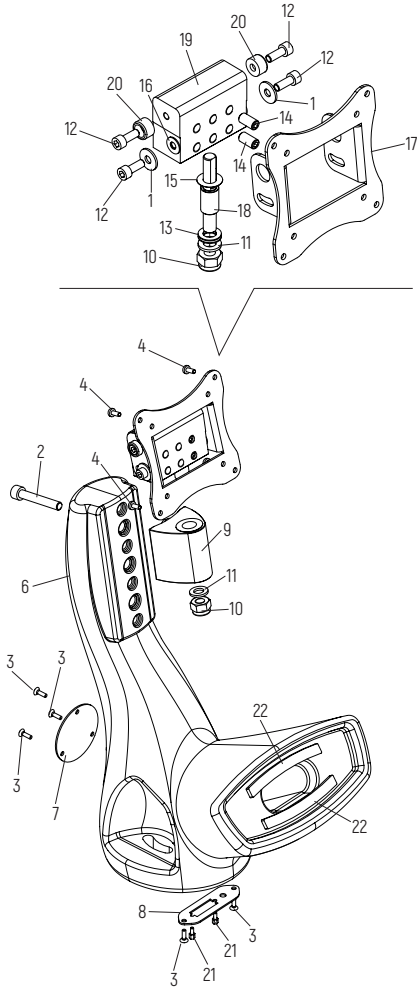


## 제 13 장 타이어보호커버



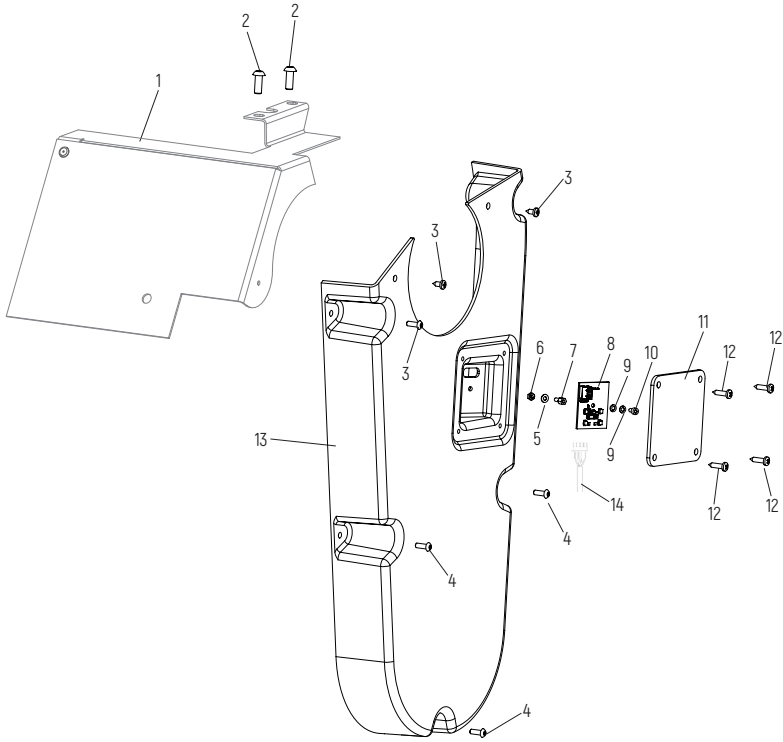
도면번호	부품번호	중국어품명
1	PAE2031-90	휠 보호 커버 44"
2	PAE2031-91	보호커버에 있는 벤딩 파이프
3	PAE2031-92	레치볼트 M12X40
4	PAE2031-93	평면와셔
5	PAE2031-94	부싱 28X38X13
6	PAE2031-95	스페이서 클립 D.28
7	PAE2031-96	핀
8	PAE1031H-0107	자동 래치 육각너트 M8
9	PAE2031-97	평면와셔
10	PAE2031-98	연결 부품 M8 D.10
11	PAE1031H-102	육각 너트 M8
12	PAE2031-99	육각 머리 나사 M10X25
13	PAE1031H-52	육각 너트 M10
14	PAE1032H-3302	자동 래치 육각너트 M4
15	PAE1031H-2005	평면와셔
16	PAE1031H-160	렌치 볼트 1/2F M4X30
17	PAE1031H-161	미동 스위치 16A
18	PAE2031-100	케이블 2P L.1400mm
19	PAE2031-101	에어 스프링
20	PAE1031H-2910	평면와셔
21	PAE2031-102	연결 부품 M8
22	PAE2031-103	스프링 지지대
23	PAE2031-104	충격 완화매트링 D.30X13
24	PAE2031-105	평면와셔

제 14 장 모니터 거치대 부품



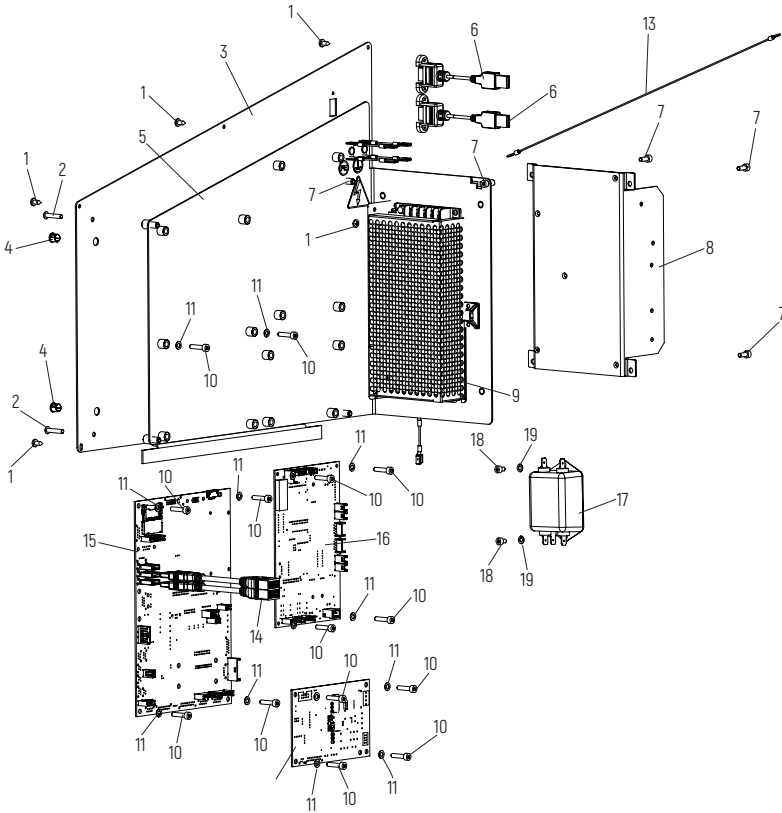
도면번호	부품번호	중국어품명
1	PAE2031-106	평면와셔
2	PAE1031H-251	렌치 볼트 M8X50
3	PAE2031-107	동근집시머리 나사 D.3.5X12
4	PAE2031-108	동근머리 십자 나사 M4X10
6	PAE2031-109	모니터 커치대
7	PAE2031-110	래치칩
8	PAE2031-111	고정용칩판
9	PAE2031-112	충격완화볼록
10	PAE1031H-148	자동래치너트 M10
11	PAE2031-113	평면와셔
12	PAE1031H-0815	렌치 볼트 M6X16
13	PAE2031-114	평면와셔
14	PAE2031-115	집시 나사 M8X16
15	PAE2031-116	평면와셔
16	PAE2031-117	평면와셔
17	PAE2031-118	모니터 고정 팔레트
18	PAE2031-119	수직 핀
19	PAE2031-120	본체 연결 부품
20	PAE2031-121	거치대부싱 연결용 부품
21	PAE2031-122	스트럿
22	PAE2031-123	스티커

제 15 장 조명용 부품



도면번호	부품번호	중국어품명
1	PAE2031-124	보호 커버
2	PAE2031-0305	동근머리 나사 M6X16
3	PAE2031-09	동근머리 나사 3.9X9.5
4	PAE2031-125	동근머리 나사 M4X12
5	PAE1031H-2104	평면와셔
6	PAE1031H-2612	육각 너트 M3
7	PAE2031-126	스트럿 M3
8	PAE2031-127	조명 회로판
9	PAE2031-128	평면와셔
10	PAE2031-129	렌치 볼트 M3X6
11	PAE2031-130	보호판
12	PAE2031-131	동근머리 나사 D.3.9X16
13	PAE2031-132	외부커버
14	PAE2031-133	케이블 L.2000mm

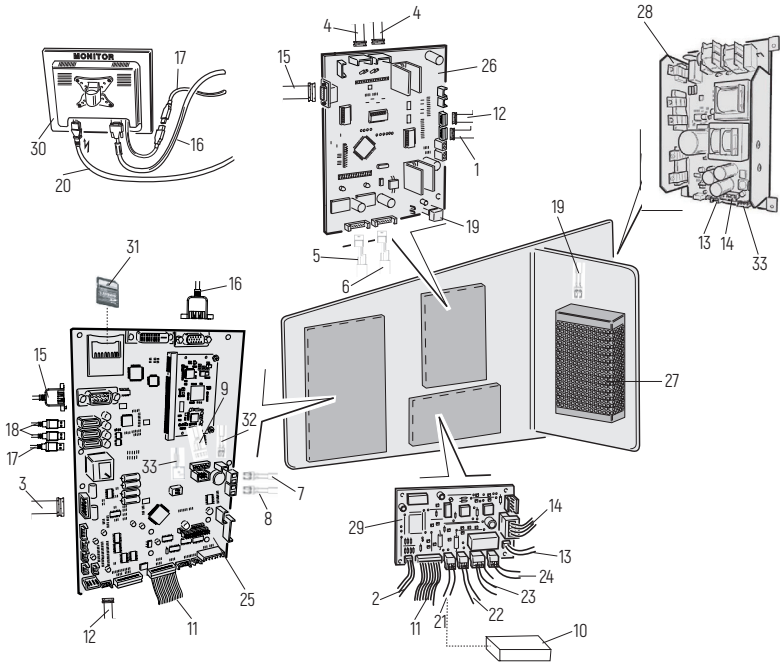
제 16 장 제어 회로



도면번호	부품번호	중국어품명
1	PAE2031-09	동근머리 나사 3.9X9.5
2	PAE2031-134	동근머리 나사 M4X20
3	PAE2031-135	래치 철판
4	PAE2031-136	블랙 너트 D.7.9
5	PAE2031-137	지지판
6	PAE2031-138	USB 케이블
7	PAE2031-12	렌치 볼트 M4X10
8	PAE2031-139	화로판
9	PAE2031-140	전원 150W 24V
10	PAE2031-141	렌치 볼트 M4X18
11	PAE2031-142	평면와셔
12	PAE2031-143	모터 제어판
13	PAE2031-144	케이블
14	PAE2031-145	USB 확장슬롯
15	PAE2031-146	화로판
16	PAE2031-147	화로판
17	PAE2031-148	정류기 115/250V 6A
18	PAE2031-149	렌치 볼트 M4X6
19	PAE2031-142	평면와셔



## 제 17 장 전기 회로도



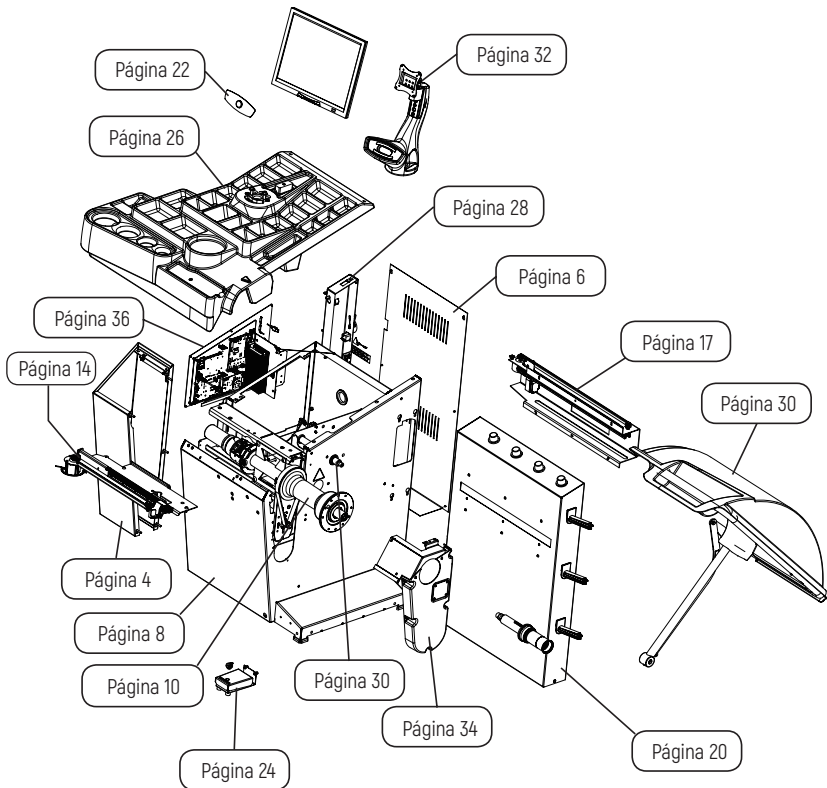
도면번호	부품번호	중국어품명
1	PAE2031-62	납작 케이블 8 칩 L.1100mm
2	PAE2031-63	납작 케이블 4 칩 L.800mm
3	PAE2031-57	고정대
4	PAE2031-0230	레이저 센서 케이블
5	PAE2031-0231	케이블 4X0.22 6P L.650mm
6	PAE2031-0315	케이블 4X0.22 6P L.900mm
7	PAE2031-150	케이블 2x0.34 L.1100mm
8	PAE2031-0511	케이블 2X1 L.1500mm
9	PAE2031-133	케이블 L.2000mm
10	PAE2031-151	인덕턴스 여파기
11	PAE2031-152	납작 케이블 9-WAY L.250mm
12	PAE2031-153	납작 케이블 8-WAY L.650mm
13	PAE2031-154	전원 케이블 6X0.22 L.510mm
14	PAE2031-155	전원 케이블 SWITCH-MCM 48V
15	PAE2031-156	9 커넥터 케이블 L.2000mm
16	PAE2031-157	연장 케이블 15HD L.3000mm
17	PAE2031-145	USB 확장슬롯
18	PAE2031-138	USB 케이블
19	PAE1031H-186	케이블 2P L.500mm
20	PAE2031-89	VDE 전원 케이블
21	PAE2031-47	브레이크
22	PAE2031-0102	클러치
23	PAE2031-46	모터 48V
24	PAE2031-0101	모터 기어 박스

도면번호	부품번호	중국어품명
25	PAE2031-146	화로판
26	PAE2031-147	화로판
27	PAE2031-140	전원 150W 24V
28	PAE2031-139	화로판
29	PAE2031-143	모터 제어판
30	PAE2031-158	LCD 터치스크린산업급 모니터
31	PAE2031-159	스티커
32	PAE2031-100	케이블 2P L.1400mm
33	PAE2031-160	케이블 2XAWG 22 L.400mm

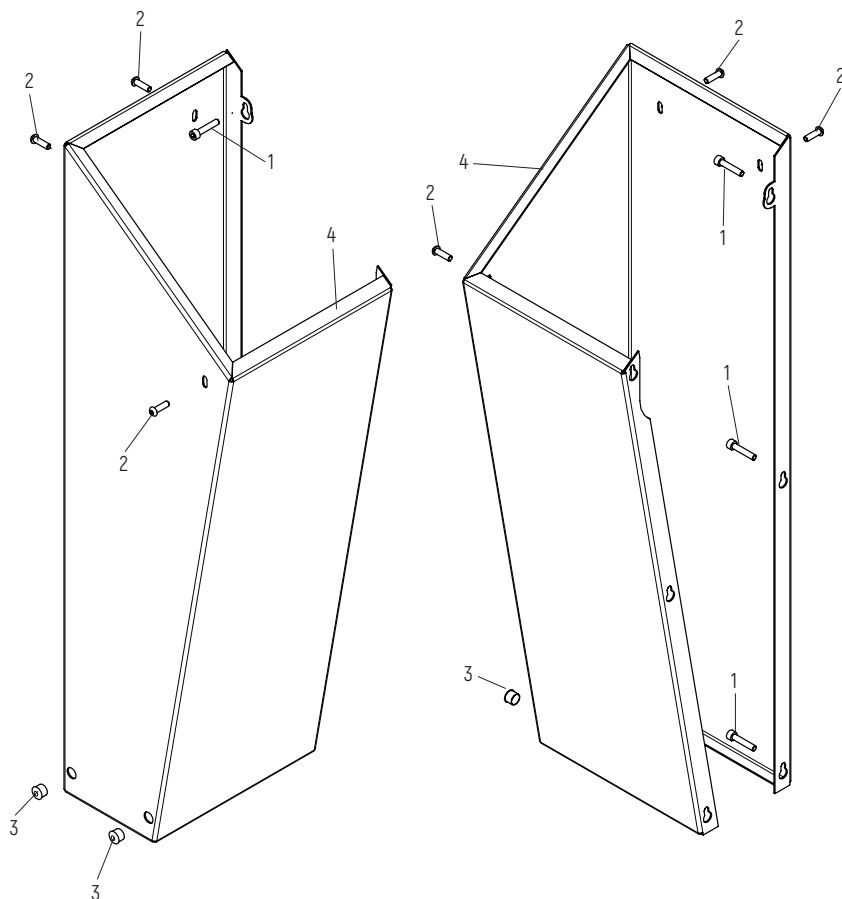
## tabela de conteúdos

Capítulo 1	Diagrama esquemático da Assembléia Geral .....	189
Capítulo 2	Cobertura do lado esquerdo.....	190
Capítulo 3	Placa traseira.....	191
Capítulo 4	Caixa da máquina.....	192
Capítulo 5	Componentes do eixo.....	194
Capítulo 6	Dispositivo de detecção de laser embutido.....	198
Capítulo 7	detector traseira .....	201
Capítulo 8	Corpo da caixa do detector traseiro.....	204
Capítulo 9	Teclado .....	206
Capítulo 10	Interruptor de pé.....	208
Capítulo 11	Cobertura do bloco de chumbo.....	210
Capítulo 12	Cobertura Lateral.....	212
Capítulo 13	Cobertura de proteção dos pneus.....	214
Capítulo 14	componentes do assento do monitor.....	216
Capítulo 15	Componentes de iluminação.....	218
Capítulo 16	Circuito de Controle .....	220
Capítulo 17	Diagrama de conexão do circuito.....	222

## Capítulo 1 Diagrama esquemático da Assembléia Geral

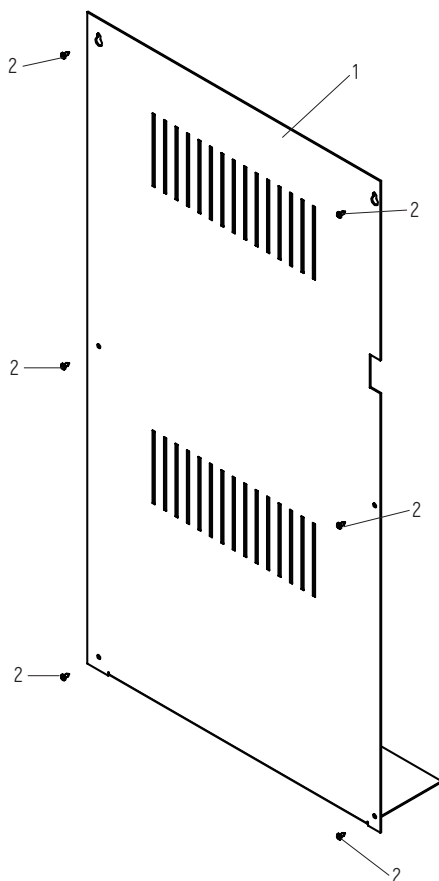


## Capítulo 2 Cobertura do lado esquerdo



Número de desenho	Número do acessório	Nome chinês do produto
1	PAE1031H-0801	Parafuso sextavado interno M6X30
2	PAE2031-0304	Parafuso de cabeça redonda M6X30
3	PAE2031-06	Tampa de pressão
4	PAE2031-07	Cobertura do lado esquerdo

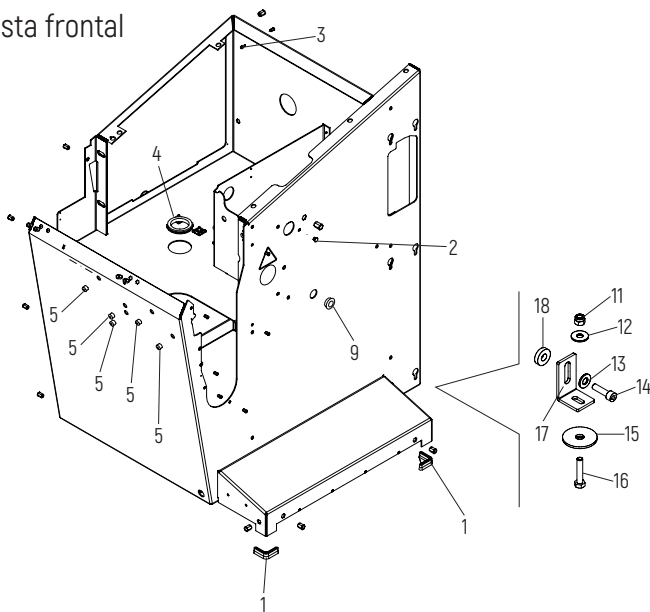
## Capítulo 3 Placa traseira



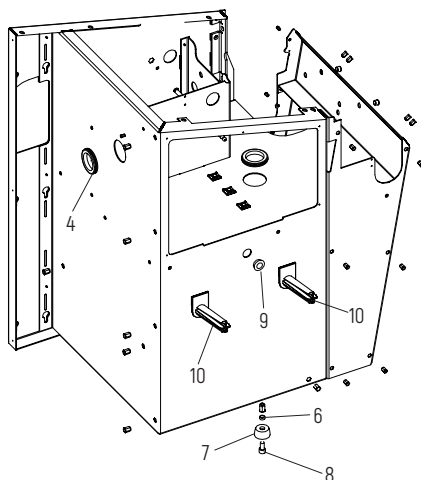
Número de desenho	Número do acessório	Nome chinês do produto
1	PAE2031-08	Placa traseira
2	PAE2031-09	Parafuso de cabeça redonda D 3.9X9.5

## Capítulo 4 Caixa da máquina

Vista frontal



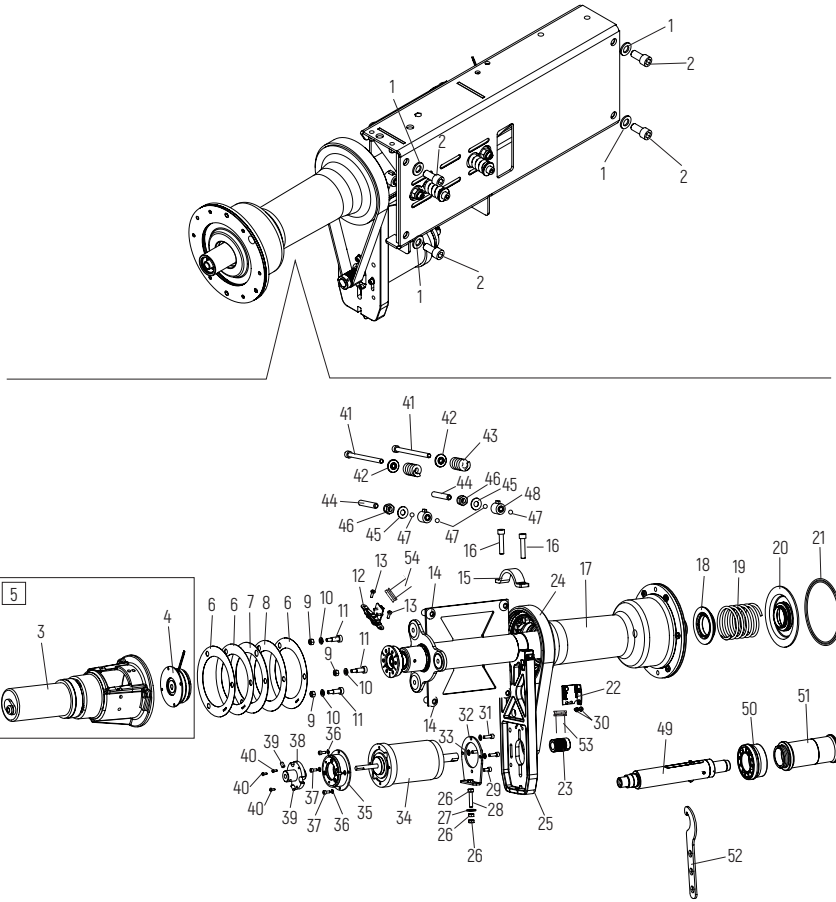
Vista traseira





Número de desenho	Número do acessório	Nome chinês do produto
1	PAE2031-10	Almofada do pé 35X35
2	PAE2031-11	Tampa de pressão de plástico
3	PAE2031-12	Parafuso sextavado interno M4X10
4	PAE2031-13	vedante de borracha
5	PAE2031-06	Tampa de pressão
6	PAE2031-14	anel de gaxeta
7	PAE2031-15	Almofada do pé
8	PAE1031H-1017	Parafuso sextavado interno M10X20
9	PAE2031-16	Tampa de pressão
10	PAE2031-17	Suporte deslizante
11	PAE1031H-0107	porca de auto-fixação
12	PAE1031H-109	gaxeta plana
13	PAE1031H-73	gaxeta plana
14	PAE2031-18	Parafuso sextavado interno M10X30
15	PAE2031-19	gaxeta plana
16	PAE2031-20	parafuso de cabeça hexagonal M8X40
17	PAE2031-21	Suporte fixo
18	PAE2031-22	Gaxeta de nylon

**Capítulo 5 Componentes do eixo**

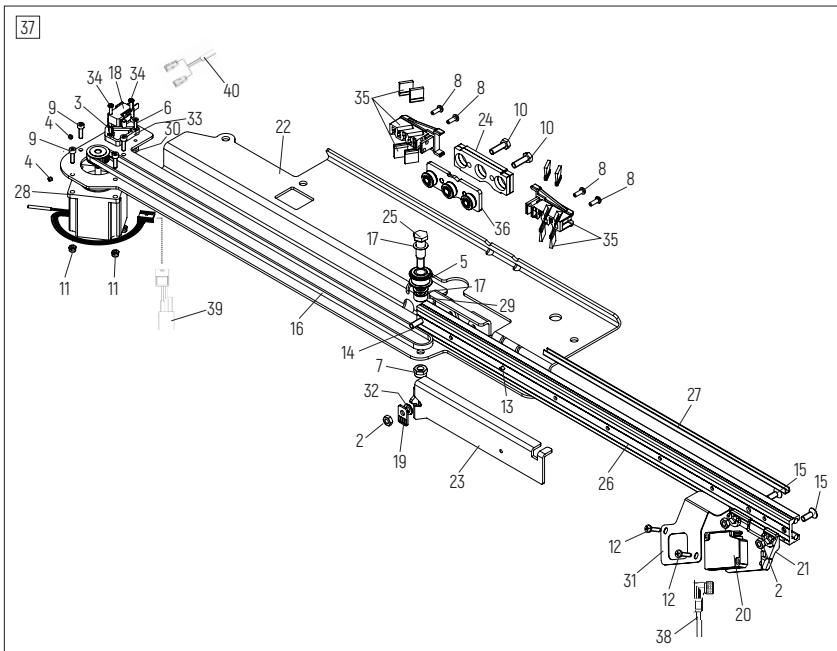
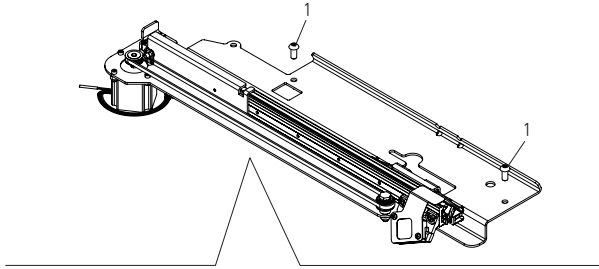


Número de desenho	Número do acessório	Nome chinês do produto
1	PAE1031H-103	gaxeta plana
2	PAE2031-23	Parafuso sextavado interno M12X25
3	PAE2031-0101	Caixa de velocidades do motor
4	PAE2031-0102	Embreagem
5	PAE2031-01	Montagem da caixa de velocidades
6	PAE2031-24	gaxeta plana
7	PAE2031-25	gaxeta plana
8	PAE2031-26	gaxeta plana
9	PAE1032H-79	porca sextavada de auto-fixação M6
10	PAE1031H-0102	gaxeta plana
11	PAE2031-27	parafuso especialmente feito 8X16 M6
12	PAE2031-28	placa de circuito de codificador reflexivo
13	PAE2031-29	Parafuso de cabeça redonda Phillips M4X12
14	PAE2031-30	parafuso de cabeça redonda M12X25
15	PAE2031-31	placa de fixação do motor
16	PAE2031-32	Parafuso sextavado interno 1/2F M8X40
17	PAE2031-33	Componentes do eixo c
18	PAE2031-34	placa de pressão do assento de válvula da mola
19	PAE2031-35	mola D4.8X66X121
20	PAE2031-36	placa de pressão do assento de válvula da mola
21	PAE2031-37	anel elástico D127.5X2.5
22	PAE2031-38	Placa de circuito de digitalização
23	PAE2031-39	polia de correia
24	PAE2031-40	correia

<b>Número de desenho</b>	<b>Número do acessório</b>	<b>Nome chinês do produto</b>
25	PAE2031-41	Assento do motor
26	PAE1031H-87	porca sextavada M6
27	PAE1032H-69	gaxeta plana
28	PAE2031-42	parafuso de cabeça hexagonal M6X50
29	PAE1031H-2203	Parafuso sextavado interno M5X10
30	PAE2031-43	parafuso autorroscante de cabeça redonda M4X6
31	PAE1031H-128	Parafuso sextavado interno M5X20
32	PAE2031-44	placa de flange do motor
33	PAE2031-45	gaxeta plana
34	PAE2031-46	Motor 48V
35	PAE2031-47	travagem
36	PAE2031-0507	gaxeta plana
37	PAE2031-12	Parafuso sextavado interno M4X10
38	PAE2031-48	travão da roda
39	PAE2031-49	parafusos de cabeça rebaixada M6X9
40	PAE2031-50	parafuso autorroscante de cabeça redonda M3X8
41	PAE2031-51	Parafuso sextavado interno M8X120
42	PAE2031-52	bucha de mola
43	PAE2031-53	Mola D.6X25X41
44	PAE2031-54	parafusos de cabeça rebaixada M10X60
45	PAE2031-55	Mola D.10.2X23X1.25
46	PAE1031H-148	Porca de auto-fixação M10
47	PAE2031-56	Bola 5/16 "
48	PAE2031-57	Assento de fixação

<b>Número de desenho</b>	<b>Número do acessório</b>	<b>Nome chinês do produto</b>
49	PAE2031-58	eixo de aperto do cubo
50	PAE2031-59	espaçador de roda
51	PAE2031-60	roda de acoplamento
52	PAE2031-61	chave de propósito especial
53	PAE2031-62	Cabo plano 8-núcleo L.1100mm
54	PAE2031-63	Cabo plano 8-núcleo L.800mm

**Capítulo 6 Dispositivo de detección de laser embutido**

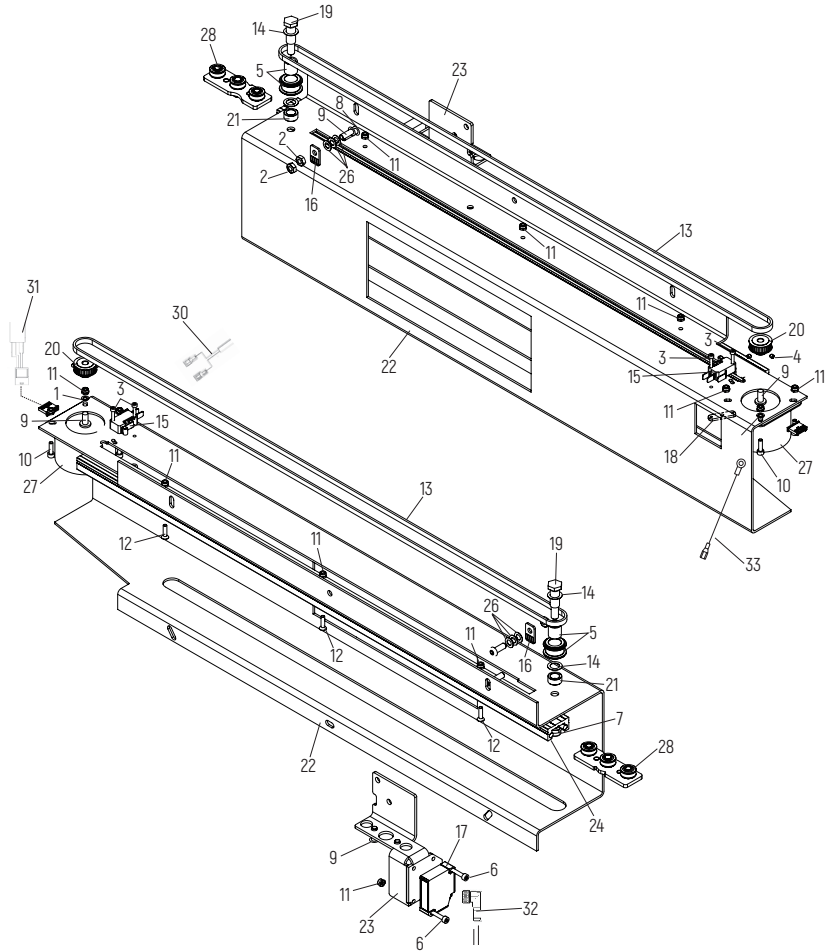


Número de desenho	Número do acessório	Nome chinês do produto
1	PAE2031-64	parafuso de cabeça redonda M4X4
2	PAE2031-0201	porca sextavada M6
3	PAE1031H-2104	gaxeta plana
4	PAE2031-0202	Parafuso hexagonal de cabeça rebaixada redonda M4X4
5	PAE2031-0203	polia de correia (com assento)
6	PAE2031-0204	parafusos de cabeça rebaixada M3X12
7	PAE1031H-135	porca sextavada de auto-fixação M8
8	PAE2031-0205	Corpo vertebral espiral M4X12
9	PAE2031-0206	Parafuso sextavado interno M4X14
10	PAE1031H-0109	parafuso de cabeça hexagonal M6X20
11	PAE1032H-3302	porca sextavada de auto-fixação M4
12	PAE2031-0207	Corpo vertebral espiral M4X20
13	PAE1032H-0715	parafusos de cabeça rebaixada M6X20
14	PAE2031-0208	parafusos de cabeça rebaixada M4X8
15	PAE2031-0209	parafusos de cabeça rebaixada M6X16
16	PAE2031-0210	correia
17	PAE1032H-0712	gaxeta plana
18	PAE2031-0211	Micro interruptor
19	PAE2031-0212	prato de guia de cinto
20	PAE2031-0213	sensor laser
21	PAE2031-0214	Assento do sensor a laser
22	PAE2031-0215	Placa de proteção
23	PAE2031-0216	cobertura da correia
24	PAE2031-0217	Bandeja 5mm

<b>Número de desenho</b>	<b>Número do acessório</b>	<b>Nome chinês do produto</b>
25	PAE2031-0218	Pino Excêntrico D.10 M8
26	PAE2031-0219	Placa de guarda dianteira
27	PAE2031-0220	encaixe do cabo
28	PAE2031-0221	Motor (incluindo polia de correia)
29	PAE2031-0222	Espaçador D.10X15X6.5
30	PAE2031-0223	Peça de ajuste em miniatura
31	PAE2031-0224	Tampa da cabeça do laser
32	PAE2031-0225	gaxeta plana
33	PAE2031-0226	Suporte pequeno
34	PAE2031-0227	Parafuso de cabeça redonda M3X14
35	PAE2031-0228	assento de guia lâmina
36	PAE2031-0229	Conjunto de roda de guia
37	PAE2031-02	Componentes do dispositivo de detecção de laser
38	PAE2031-0230	Cabo do sensor de laser
39	PAE2031-0231	Cabo 4X0.22 6P L.650mm
40	PAE2031-0232	Cabo 2P L.1400mm



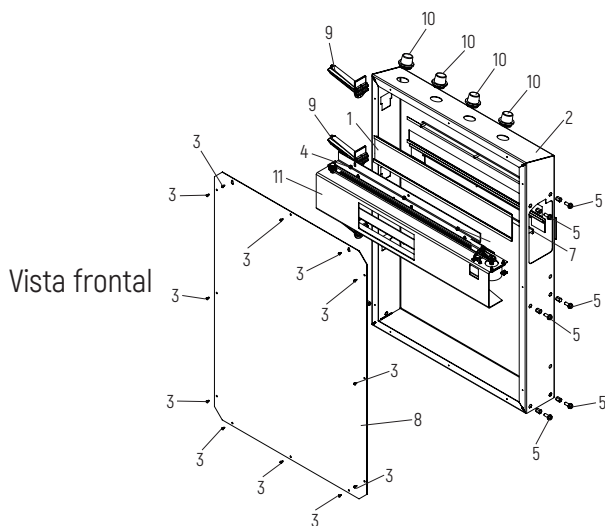
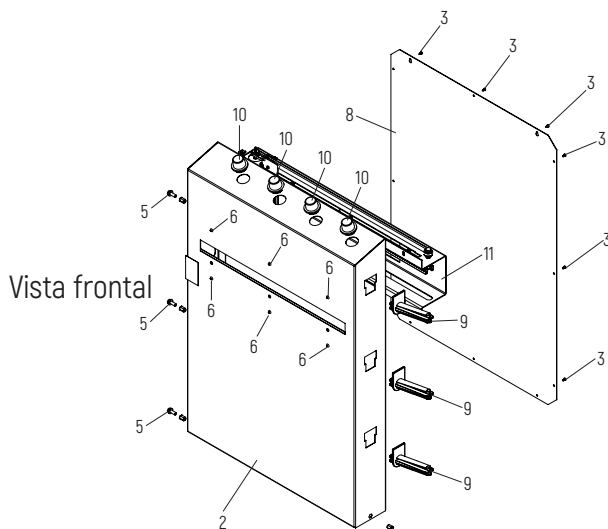
**Capítulo 7 detector traseira**



Número de desenho	Número do acessório	Nome chinês do produto
1	PAE2031-0301	gaxeta plana
2	PAE2031-0201	porca sextavada M6
3	PAE2031-0302	Parafuso sextavado interno M3X16
4	PAE2031-0202	Parafuso hexagonal de cabeça rebaixada redonda M4X5
5	PAE2031-0203	polia de correia (com assento)
6	PAE2031-0303	Parafuso sextavado interno M3X16
7	PAE1031H-135	porca sextavada de auto-fixação M8
8	PAE2031-0304	Parafuso de cabeça redonda M6X20
9	PAE2031-0305	Parafuso de cabeça redonda M6X20
10	PAE2031-0206	Parafuso sextavado interno M4X14
11	PAE1032H-3302	porca sextavada de auto-fixação M4
12	PAE2031-0306	parafusos de cabeça rebaixada M4X16
13	PAE2031-0307	correia
14	PAE1032H-0712	gaxeta plana
15	PAE2031-0211	Micro interruptor
16	PAE2031-0212	prato de guia de cinto
17	PAE2031-0213	sensor laser
18	PAE2031-0308	Peça de ajuste em miniatura
19	PAE2031-0218	Pino Excêntrico D10 M8
20	PAE2031-0309	polia de correia
21	PAE2031-0222	Espaçador D.10X15X6.5
22	PAE2031-0310	Suporte traseiro do detector
23	PAE2031-0311	Suporte do sensor
24	PAE2031-0312	Trilho de guia inferior

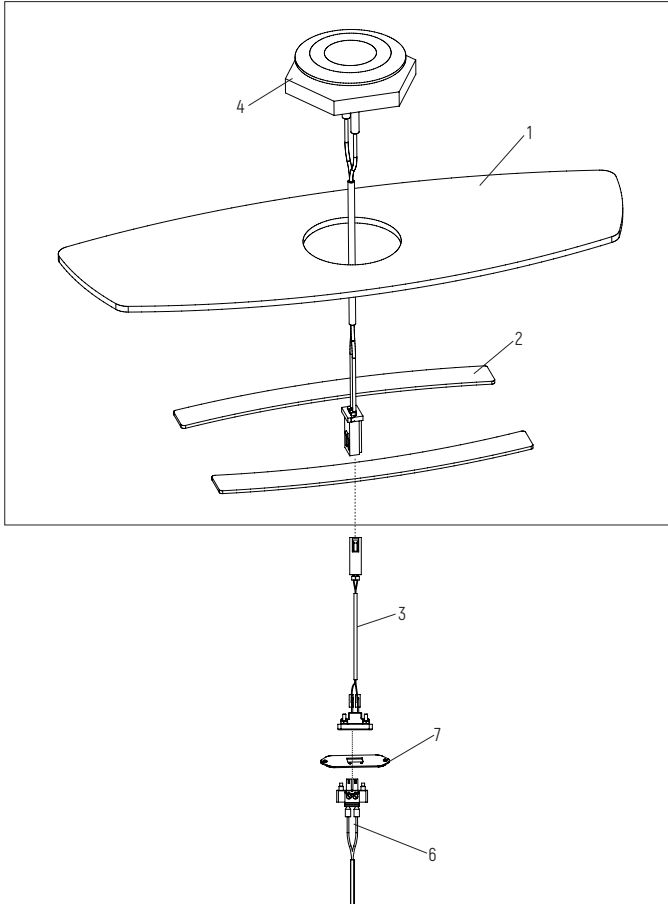
<b>Número de desenho</b>	<b>Número do acessório</b>	<b>Nome chinês do produto</b>
26	PAE2031-0225	gaxeta plana
27	PAE2031-0313	Motor 48PP
28	PAE2031-0229	Conjunto de roda de guia
29	PAE2031-03	Componentes do detector traseiro
30	PAE2031-0314	Cabo 2P L1200mm
31	PAE2031-0315	Cabo 4X0.22 6P L.900mm
32	PAE2031-0230	Cabo do sensor de laser
33	PAE2031-0316	Cabo

## Capítulo 8 Corpo da caixa do detector traseiro



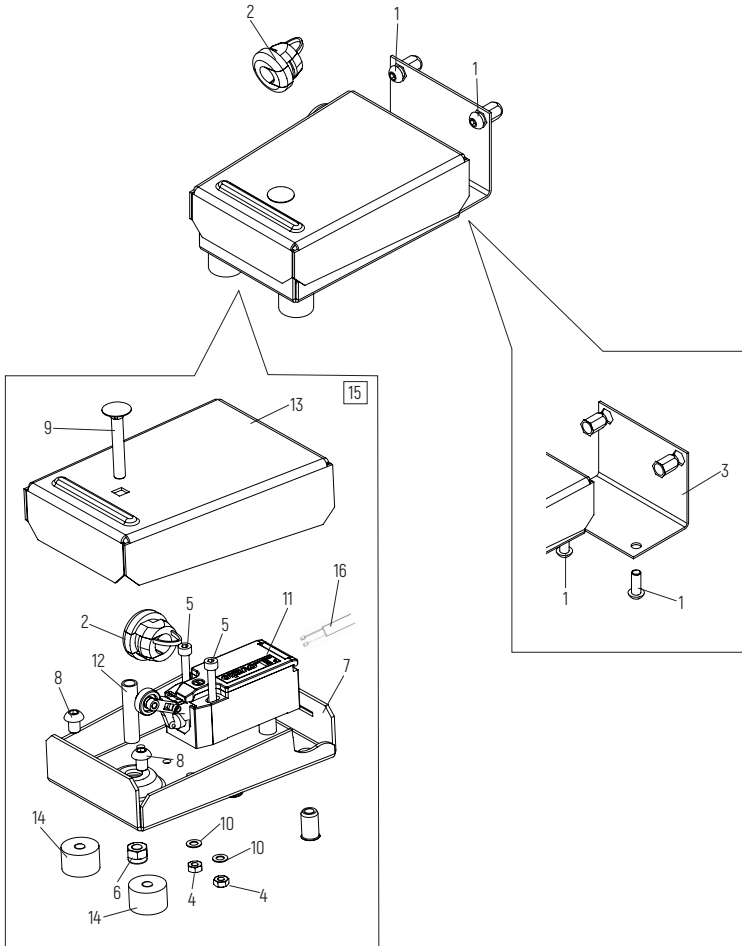
Número de desenho	Número do acessório	Nome chinês do produto
1	PAE2031-65	Peça de vidro
2	PAE2031-66	Casca da tampa (com etiqueta)
3	PAE2031-09	Parafuso de cabeça redonda 3.9X9.5
4	PAE1032H-1418	porca sextavada de auto-fixação M6
5	PAE2031-67	Parafuso sextavado interno M8X20
6	PAE2031-0304	Parafuso de cabeça redonda M6X20
7	PAE2031-68	placa de base
8	PAE2031-69	Placa traseira
9	PAE2031-17	Suporte deslizante
10	PAE2031-70	Suporte de cone
11	PAE2031-03	Componentes do detector traseiro

# Capítulo 9 Teclado



<b>Número de desenho</b>	<b>Número do acessório</b>	<b>Nome chinês do produto</b>
1	PAE2031-0401	Placa de suporte
2	PAE2031-0402	Etiqueta de bloqueio duplo
3	PAE2031-71	Cabo 2X0.34 L.360mm
4	PAE2031-0403	Botão (incluindo cabos)
5	PAE2031-04	Componentes do botão
6	PAE2031-72	Cabo 2x0.34 L. 1100mm
7	PAE2031-73	Peça

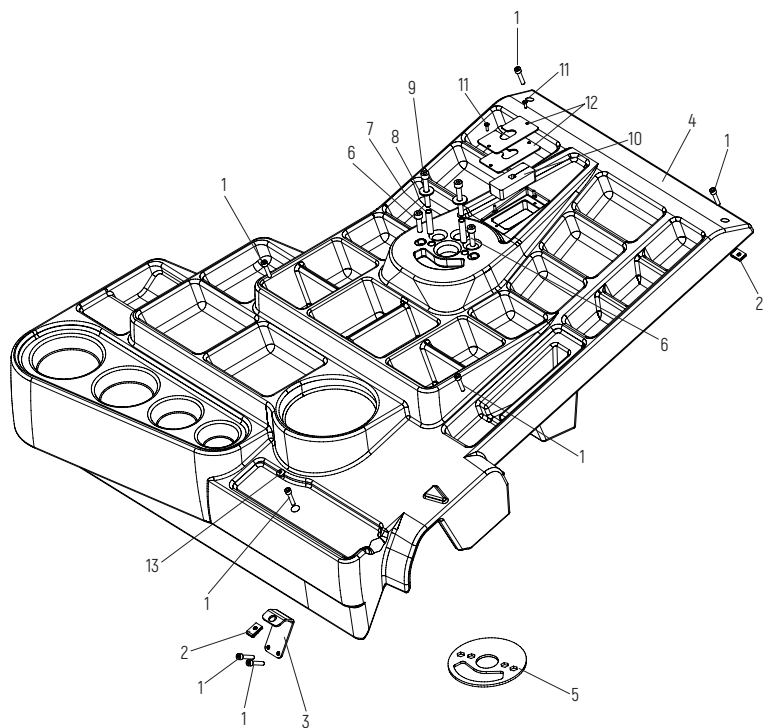
**Capítulo 10 Interruptor de pé**





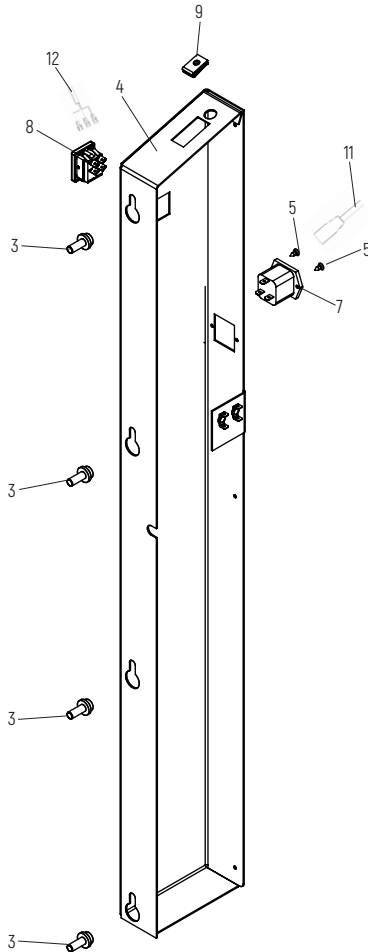
<b>Número de desenho</b>	<b>Número do acessório</b>	<b>Nome chinês do produto</b>
1	PAE2031-0305	Parafuso de cabeça redonda M6X20
2	PAE2031-0501	Conector do cabo
3	PAE2031-74	Peça de ligação do pedal
4	PAE2031-0502	porca sextavada M4
5	PAE2031-0503	Parafuso sextavado interno 1/2F M4X30
6	PAE1031H-0105	porca sextavada de auto-fixação M6
7	PAE2031-0504	Peça de ligação inferior
8	PAE2031-0505	Parafuso de cabeça redonda M6X8
9	PAE2031-0506	Parafuso 1/2F M6X40
10	PAE2031-0507	gaxeta plana
11	PAE2031-0508	Micro-interruptor 10A
12	PAE2031-0509	Espaçador D.8X6X30
13	PAE2031-0510	Peça de conexão superior
14	PAE1031H-2207	almofada de absorção de choque 20X13 M6X6
15	PAE2031-05	componentes de pedal
16	PAE2031-0511	Cabo 2X1 L.1500mm

## Capítulo 11 Cobertura do bloco de chumbo



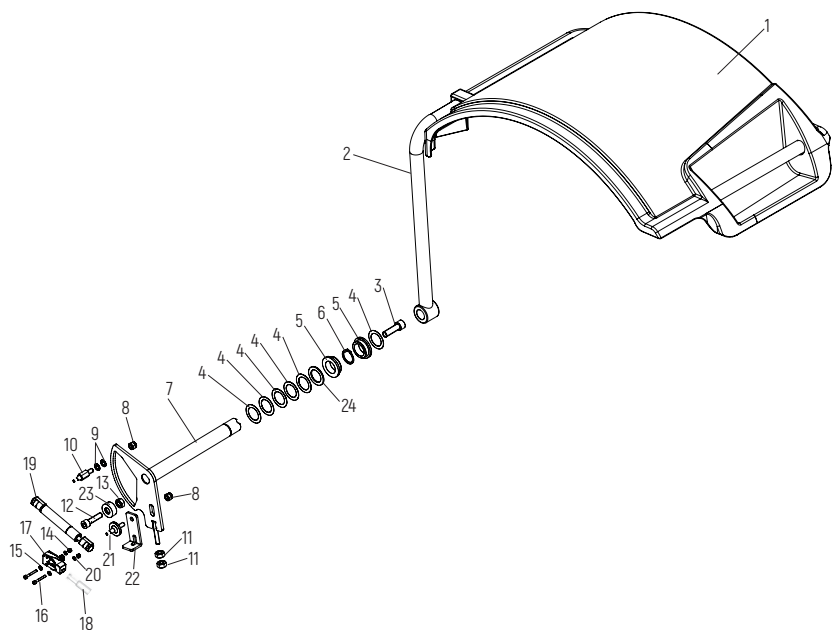
<b>Número de desenho</b>	<b>Número do acessório</b>	<b>Nome chinês do produto</b>
1	PAE1031H-0801	Parafuso sextavado interno M6X30
2	PAE1031H-1415	Peça de inserção M6
3	PAE2031-75	Peça de fixação
4	PAE2031-76	Cobertura do bloco de chumbo
5	PAE2031-77	Peça
6	PAE2031-78	Parafuso sextavado interno M8X30
7	PAE2031-79	Espaçador D.8.1X10X44
8	PAE1031H-109	gaxeta plana
9	PAE2031-80	Parafuso sextavado interno M8X60
10	PAE2031-81	tampa
11	PAE2031-0205	Corpo vertebral espiral D4X12
12	PAE2031-82	Bandeja de cabo
13	PAE2031-83	Tampa de pressão D.11.1

## Capítulo 12 Cobertura Lateral



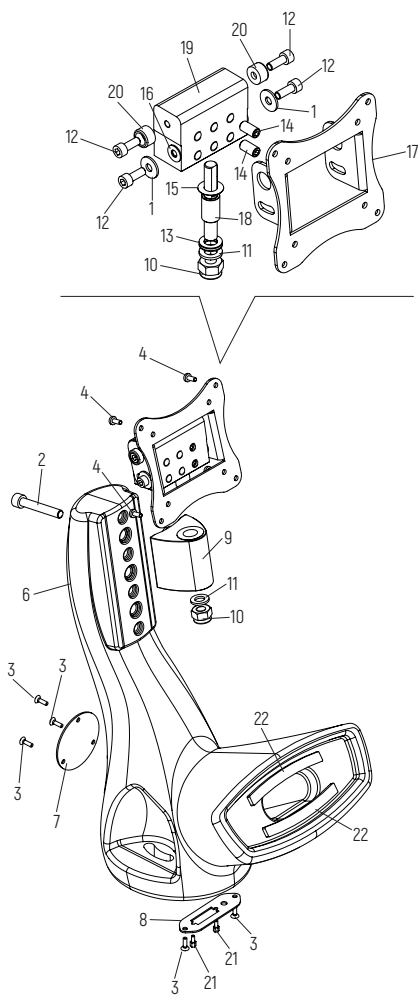
<b>Número de desenho</b>	<b>Número do acessório</b>	<b>Nome chinês do produto</b>
3	PAE2031-67	Parafuso sextavado interno M8X20
4	PAE2031-84	Cobertura Lateral
5	PAE2031-85	parafuso autorroscante de cabeça rebaixada
7	PAE2031-86	Tomada monofásica 10A-250V
8	PAE2031-87	interruptor
9	PAE1031H-1415	Peça de inserção M6
11	PAE2031-88	Cabo 2-2.5MT
12	PAE2031-89	linha eléctrica de VDE

## Capítulo 13 Cobertura de proteção dos pneus



Número de desenho	Número do acessório	Nome chinês do produto
1	PAE2031-90	Cobertura de proteção de roda de carro 44"
2	PAE2031-91	tubo curvado da cobertura da proteção
3	PAE2031-92	Parafuso sextavado interno M12X40
4	PAE2031-93	gaxeta plana
5	PAE2031-94	bucha D.28X38X13
6	PAE2031-95	Anel de retenção D.28
7	PAE2031-96	pino
8	PAE1031H-0107	porca sextavada de auto-fixação M8
9	PAE2031-97	gaxeta plana
10	PAE2031-98	Peça de conexão M8 D.10
11	PAE1031H-102	porca sextavada M8
12	PAE2031-99	parafuso de cabeça hexagonal M10X25
13	PAE1031H-52	Porca sextavada M10
14	PAE1032H-3302	porca sextavada de auto-fixação M4
15	PAE1031H-2005	gaxeta plana
16	PAE1031H-160	Parafuso sextavado interno 1/2F M4X30
17	PAE1031H-161	Micro interruptor 16A
18	PAE2031-100	Cabo 2P L.1400mm
19	PAE2031-101	Mola de gás
20	PAE1031H-2910	gaxeta plana
21	PAE2031-102	Peça de conexão M8
22	PAE2031-103	Suporte de mola
23	PAE2031-104	Gaxeta D.30X13
24	PAE2031-105	gaxeta plana

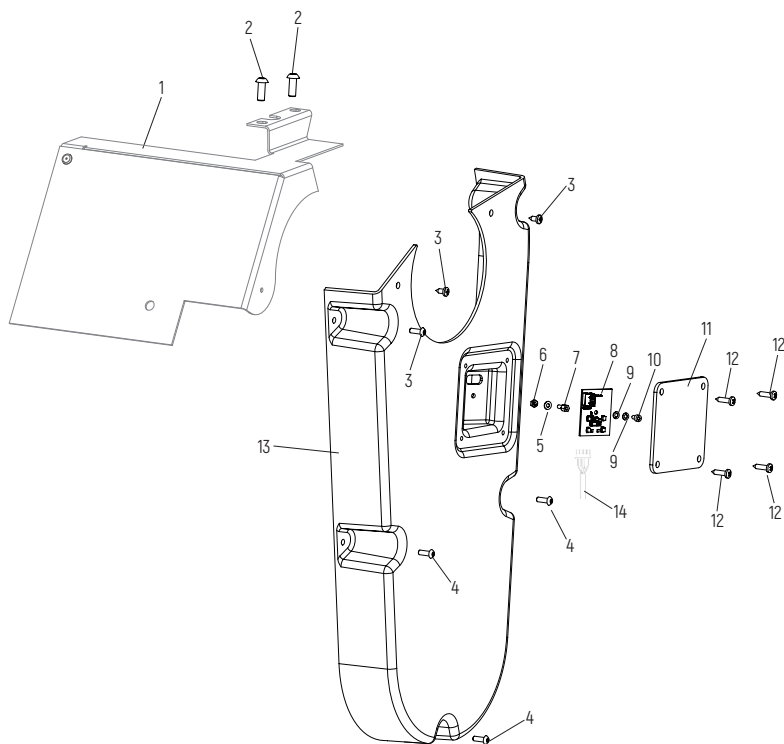
## Capítulo 14 componentes do assento do monitor





Número de desenho	Número do acessório	Nome chinês do produto
1	PAE2031-106	gaxeta plana
2	PAE1031H-251	Parafuso sextavado interno M8X50
3	PAE2031-107	Parafuso de cabeça rebaixada redonda D.3.5X12
4	PAE2031-108	Parafuso de cabeça redonda de Philip M4X10
6	PAE2031-109	assento do monitor
7	PAE2031-110	peça de aperto
8	PAE2031-111	Peça de fixação
9	PAE2031-112	bloco de almofada
10	PAE1031H-148	Porca de auto-fixação M10
11	PAE2031-113	gaxeta plana
12	PAE1031H-0815	Parafuso sextavado interno M6X16
13	PAE2031-114	gaxeta plana
14	PAE2031-115	parafusos de cabeça rebaixada M8X16
15	PAE2031-116	gaxeta plana
16	PAE2031-117	gaxeta plana
17	PAE2031-118	Placa de travamento do monitor
18	PAE2031-119	Pino vertical
19	PAE2031-120	Peça de conexão do corpo
20	PAE2031-121	Peça de conexão do suporte da bucha
21	PAE2031-122	pilar de apoio
22	PAE2031-123	etiquetas

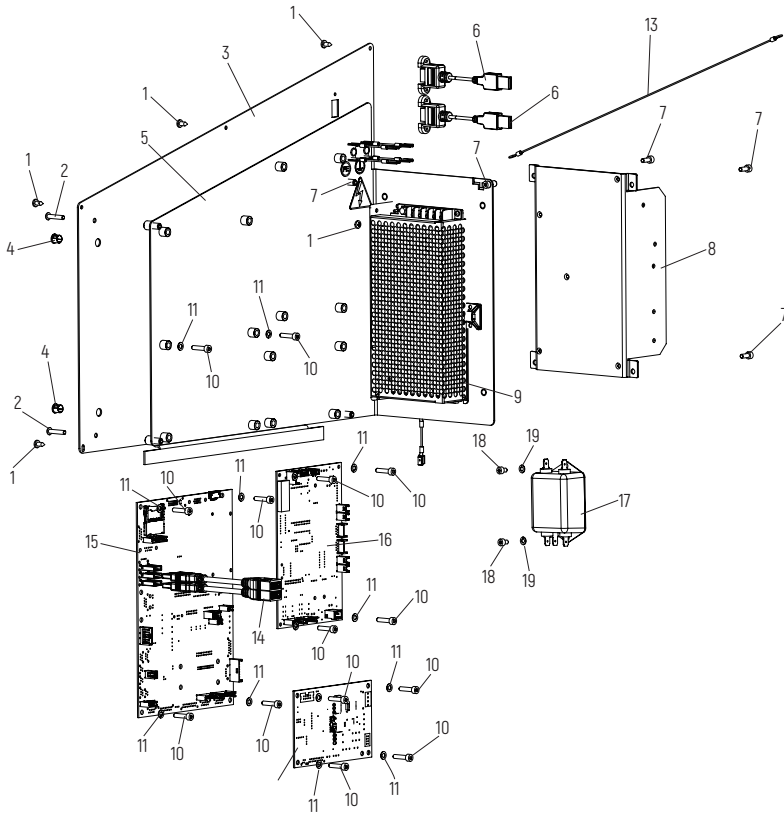
## Capítulo 15 Componentes de iluminação



<b>Número de desenho</b>	<b>Número do acessório</b>	<b>Nome chinês do produto</b>
1	PAE2031-124	cobertura de proteção
2	PAE2031-0305	Parafuso de cabeça redonda M6X20
3	PAE2031-09	Parafuso de cabeça redonda 3.9X9.5
4	PAE2031-125	Parafuso de cabeça redonda M4X12
5	PAE1031H-2104	gaxeta plana
6	PAE1031H-2612	Porca sextavada M3
7	PAE2031-126	pilar de apoio M3
8	PAE2031-127	Placa de circuito de iluminação
9	PAE2031-128	gaxeta plana
10	PAE2031-129	Parafuso sextavado interno M3X6
11	PAE2031-130	Placa de proteção
12	PAE2031-131	Parafuso de cabeça redonda D.3.9X16
13	PAE2031-132	cobertura externa
14	PAE2031-133	Cabo L.2000mm

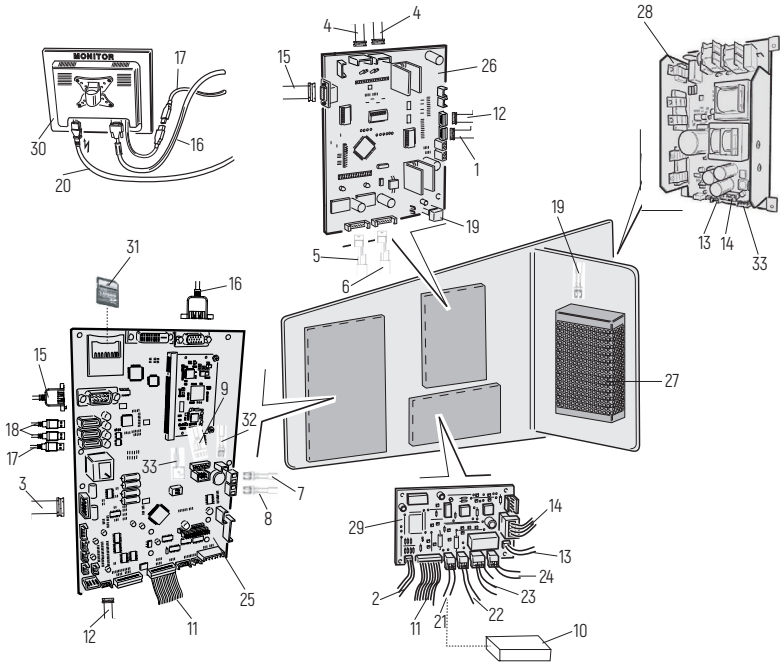


# Capítulo 16 Circuito de Controle



Número de desenho	Número do acessório	Nome chinês do produto
1	PAE2031-09	Parafuso de cabeça redonda 3.9X9.5
2	PAE2031-134	Parafuso de cabeça redonda M4X20
3	PAE2031-135	Placa de travamento
4	PAE2031-136	Tampa de pressão preto D.7.9
5	PAE2031-137	Placa de suporte
6	PAE2031-138	cabo USB
7	PAE2031-12	Parafuso sextavado interno M4X10
8	PAE2031-139	Placa de circuito
9	PAE2031-140	Fonte de alimentação 150W 24V
10	PAE2031-141	Parafuso sextavado interno M4X18
11	PAE2031-142	gaxeta plana
12	PAE2031-143	Placa de controle do motor
13	PAE2031-144	Cabo
14	PAE2031-145	Slot de expansão USB
15	PAE2031-146	Placa de circuito
16	PAE2031-147	Placa de circuito
17	PAE2031-148	retificador de corrente 115/250V 6A
18	PAE2031-149	Parafuso sextavado interno M4X6
19	PAE2031-142	gaxeta plana

## Capítulo 17 Diagrama de conexão do circuito



Número de desenho	Número do acessório	Nome chinês do produto
1	PAE2031-62	Cabo plano 8-núcleo L.1100mm
2	PAE2031-63	Cabo plano 8-núcleo L.800mm
3	PAE2031-57	Assento de fixação
4	PAE2031-0230	Cabo do sensor de laser
5	PAE2031-0231	Cabo 4X0.22 6P L.650mm
6	PAE2031-0315	Cabo 4X0.22 6P L.900mm
7	PAE2031-150	Cabo 2x0,34 L.1100mm
8	PAE2031-0511	Cabo 2X1 L.1500mm
9	PAE2031-133	Cabo L.2000mm
10	PAE2031-151	Filtro de indutância
11	PAE2031-152	Cabo plano 9-WAY L.250mm
12	PAE2031-153	Cabo plano 8-WAY L.650mm
13	PAE2031-154	Linha de energia 6X0.22 L.510mm
14	PAE2031-155	Linha de energia SWITCH-MCM 48V
15	PAE2031-156	Cabo plano com 9 agulha L.2000mm
16	PAE2031-157	Cabo de extensão 15HD L.3000mm
17	PAE2031-145	Slot de expansão USB
18	PAE2031-138	cabo USB
19	PAE1031H-186	Cabo 2P L.500mm
20	PAE2031-89	linha eléctrica de VDE
21	PAE2031-47	travagem
22	PAE2031-0102	Embreagem
23	PAE2031-46	Motor 48V
24	PAE2031-0101	Caixa de velocidades do motor

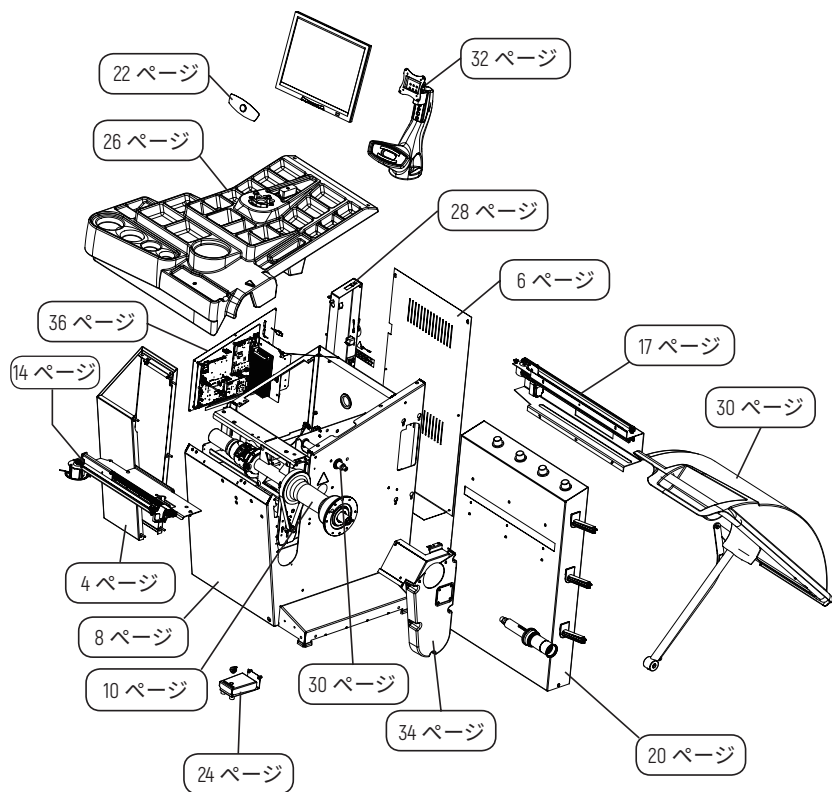
<b>Número de desenho</b>	<b>Número do acessório</b>	<b>Nome chinês do produto</b>
25	PAE2031-146	Placa de circuito
26	PAE2031-147	Placa de circuito
27	PAE2031-140	Fonte de alimentação 150W 24V
28	PAE2031-139	Placa de circuito
29	PAE2031-143	Placa de controle do motor
30	PAE2031-158	Ecrã táctil LCD Monitor de nível industrial
31	PAE2031-159	etiquetas
32	PAE2031-100	Cabo 2P L1400mm
33	PAE2031-160	Cabo 2XAWG 22 L400mm



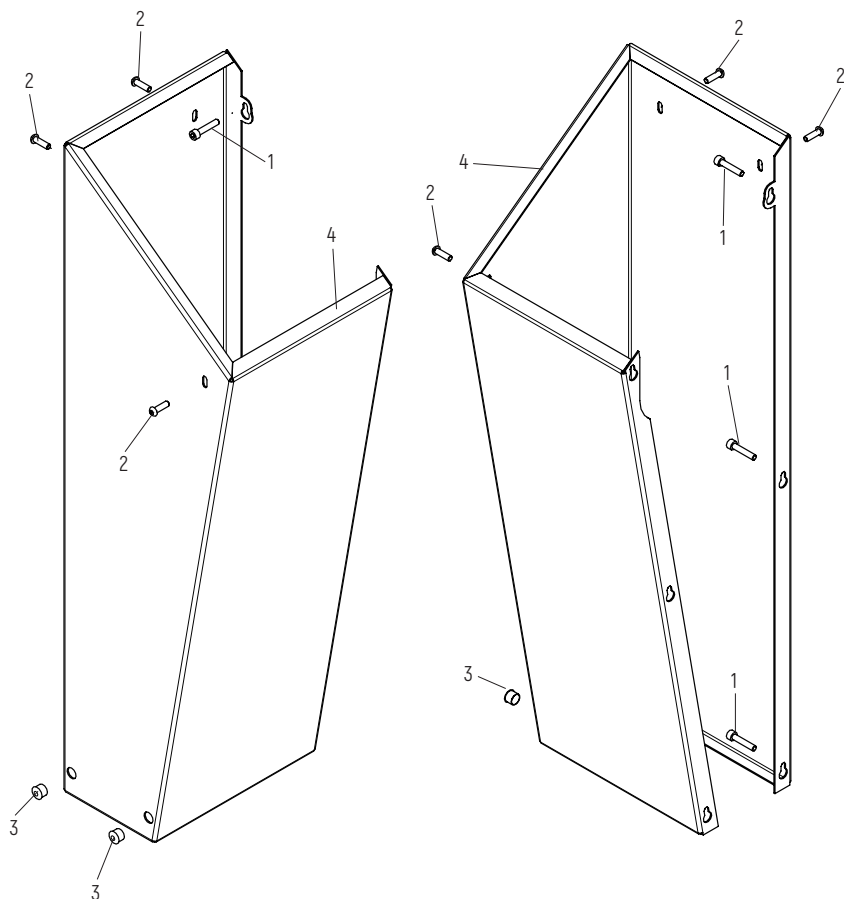
## 目次

第一章	総組立図.....	226
第二章	左側面カバー.....	227
第三章	バックプレーン.....	228
第四章	シャーシ.....	229
第五章	シャフトアセンブリ.....	231
第六章	内蔵レーザー検出装置.....	235
第七章	後部検出器.....	238
第八章	後部検出器ハウジング.....	241
第九章	キーボード.....	243
第十章	フットスイッチ.....	245
第十一章	リードブロックカバー.....	247
第十二章	サイドカバー.....	249
第十三章	タイヤシールド.....	251
第十四章	ディスプレイスタンドアセンブリ.....	253
第十五章	照明アセンブリ.....	255
第十六章	制御回路.....	257
第十七章	回路接続図.....	259

# 第一章 総組立図

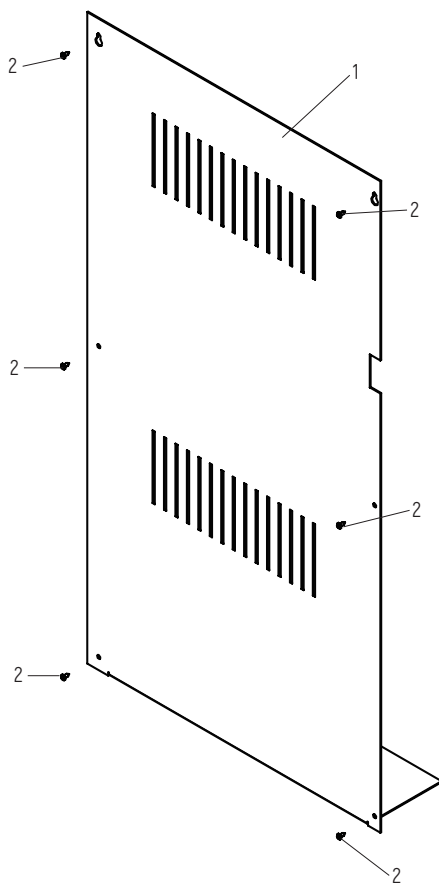


## 第二章 左側面カバー



図面番号	アクセサリ番号	中国語名
1	PAE1031H-0801	六角穴付ボルト M6X30
2	PAE2031-0304	丸頭ねじ M6X30
3	PAE2031-06	圧力キャップ
4	PAE2031-07	左側面カバー

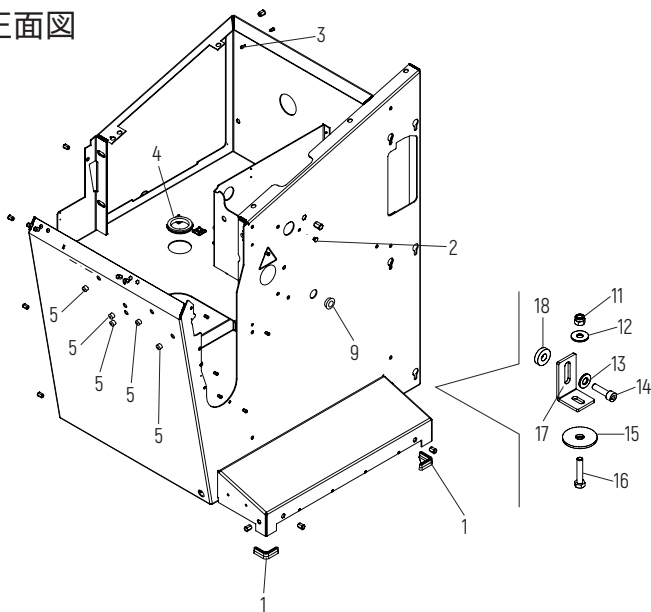
### 第三章 バックプレーン



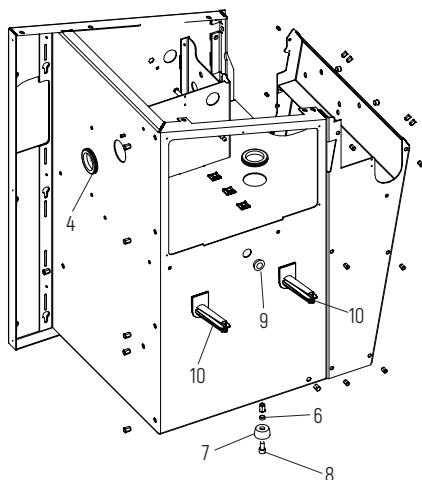
図面番号	アクセサリ番号	中国語名
1	PAE2031-08	バックプレーン
2	PAE2031-09	丸頭ねじ D 3.9X9.5

## 第四章 シャーシ

正面図

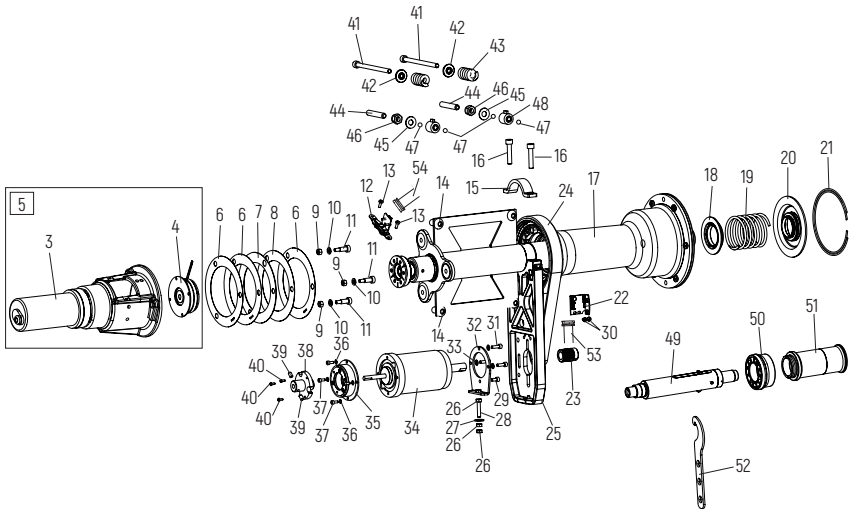
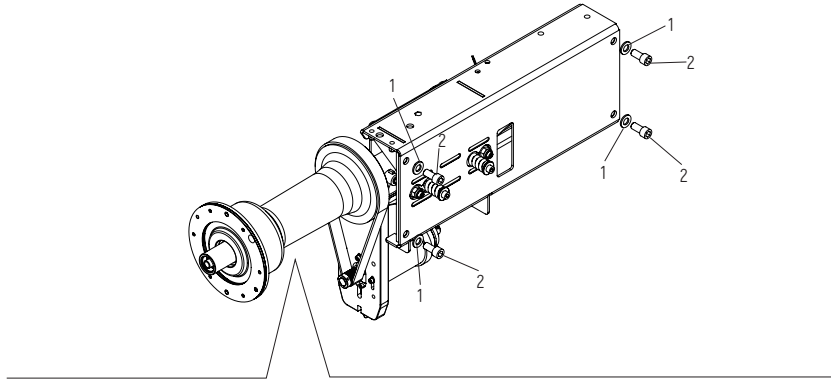


背面図



図面番号	アクセサリ番号	中国語名
1	PAE2031-10	フットパッド 35X35
2	PAE2031-11	プラスチック製圧力キャップ
3	PAE2031-12	六角穴付ボルト M4X10
4	PAE2031-13	ゴム輪
5	PAE2031-06	圧力キャップ
6	PAE2031-14	ワッシャー
7	PAE2031-15	フットパッド
8	PAE1031H-1017	六角穴付ボルト M10X20
9	PAE2031-16	圧力キャップ
10	PAE2031-17	スライドブラケット
11	PAE1031H-0107	セルフロックナット M8
12	PAE1031H-109	平ワッシャ
13	PAE1031H-73	平ワッシャ
14	PAE2031-18	六角穴付ボルト M10X30
15	PAE2031-19	平ワッシャ
16	PAE2031-20	六角ボルト M8X40
17	PAE2031-21	固定ブラケット
18	PAE2031-22	ナイロンワッシャー

## 第五章 シャフトアッセンブリ



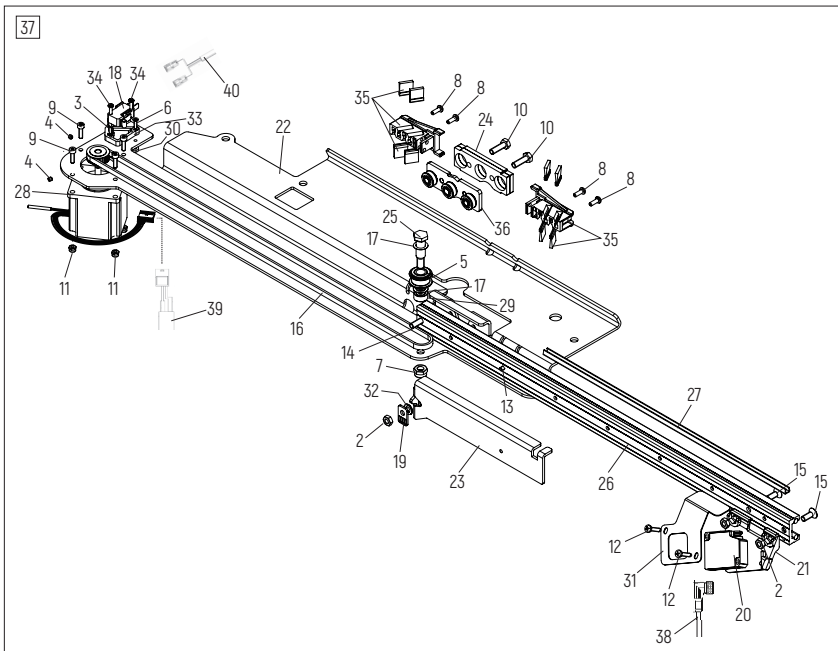
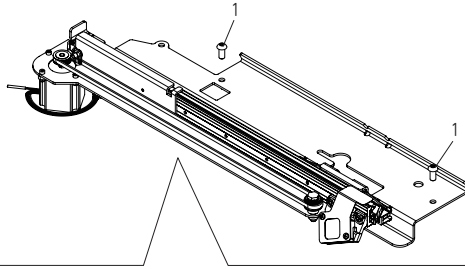
図面番号	アクセサリ番号	中国語名
1	PAE1031H-103	平ワッシャ
2	PAE2031-23	六角穴付ボルト M12X25
3	PAE2031-0101	モーターギアボックス
4	PAE2031-0102	クラッチ
5	PAE2031-01	ギアボックスアセンブリ
6	PAE2031-24	フラットガスケット
7	PAE2031-25	フラットガスケット
8	PAE2031-26	フラットガスケット
9	PAE1032H-79	セルフロック六角ナット M6
10	PAE1031H-0102	平ワッシャ
11	PAE2031-27	特殊ネジ 8X16 M6
12	PAE2031-28	反射型エンコーダボード
13	PAE2031-29	丸頭プラスねじ M4X12
14	PAE2031-30	丸頭ねじ M12X25
15	PAE2031-31	モーター固定板
16	PAE2031-32	六角穴付ボルト 1/ 2F M8X40
17	PAE2031-33	シャフトアッセンブリ C
18	PAE2031-34	スプリングシートプレート C. D40
19	PAE2031-35	スプリング D4.8X66X121
20	PAE2031-36	スプリングシートプレート C. D40
21	PAE2031-37	弾性リング D127.5X2.5
22	PAE2031-38	スキャニングボード
23	PAE2031-39	プーリー
24	PAE2031-40	ベルト



図面番号	アクセサリ番号	中国語名
25	PAE2031-41	モーターベース
26	PAE1031H-87	六角ナット M6
27	PAE1032H-69	平ワッシャ
28	PAE2031-42	六角ボルト M6X50
29	PAE1031H-2203	六角穴付ボルト M5X10
30	PAE2031-43	丸頭タッピングねじ M4X6
31	PAE1031H-128	六角穴付ボルト M5X20
32	PAE2031-44	モーターフランジ
33	PAE2031-45	平ワッシャ
34	PAE2031-46	モーター 48V
35	PAE2031-47	ブレーキ
36	PAE2031-0507	平ワッシャ
37	PAE2031-12	六角穴付ボルト M4X10
38	PAE2031-48	ホイールブレーキ
39	PAE2031-49	皿頭ねじ M6X9
40	PAE2031-50	丸頭タッピングねじ M3X8
41	PAE2031-51	六角穴付ボルト M8X120
42	PAE2031-52	スプリングブッシュ
43	PAE2031-53	スプリング D.6X25X41
44	PAE2031-54	皿頭ねじ M10X60
45	PAE2031-55	スプリング D10.2X23X1.25
46	PAE1031H-148	セルフロックナット M10
47	PAE2031-56	ボール 5/16"
48	PAE2031-57	固定座

図面番号	アクセサリ番号	中国語名
49	PAE2031-58	ホイールロックシャフト
50	PAE2031-59	ホイールスペーサー
51	PAE2031-60	カップリングギア
52	PAE2031-61	特殊レンチ
53	PAE2031-62	フラットケーブル 8 芯 L1100mm
54	PAE2031-63	フラットケーブル 4 芯 L800mm

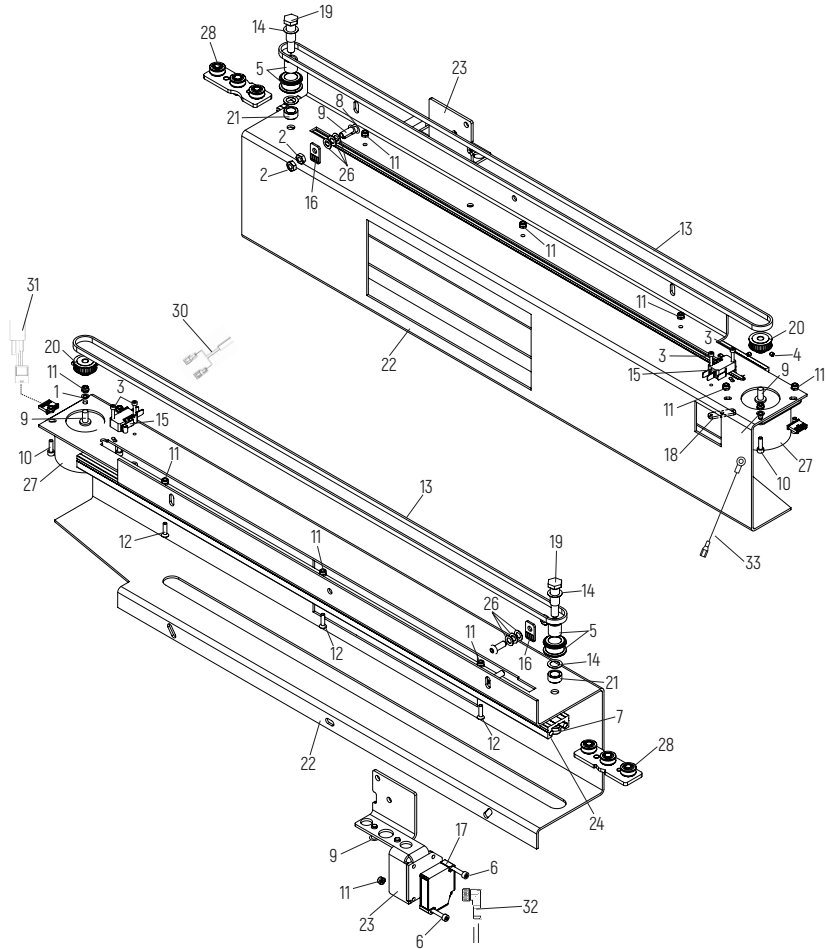
## 第六章 内蔵レーザー検出装置



図面番号	アクセサリ番号	中国語名
1	PAE2031-64	丸頭ねじ M8X18
2	PAE2031-0201	六角ナット M6
3	PAE1031H-2104	平ワッシャ
4	PAE2031-0202	丸頭六角皿小ねじ M4X4
5	PAE2031-0203	ブーリ (シート付)
6	PAE2031-0204	皿頭ねじ M3X12
7	PAE1031H-135	セルフロック六角ナット M8
8	PAE2031-0205	スパイラル椎体 M4X12
9	PAE2031-0206	六角穴付ボルト M4X14
10	PAE1031H-0109	六角ボルト M6X20
11	PAE1032H-3302	セルフロック六角ナット M4
12	PAE2031-0207	スパイラル椎体 M4X20
13	PAE1032H-0715	皿頭ねじ M6X20
14	PAE2031-0208	皿頭ねじ M4X8
15	PAE2031-0209	皿頭ねじ M6X16
16	PAE2031-0210	ベルト
17	PAE1032H-0712	平ワッシャ
18	PAE2031-0211	マイクロスイッチ
19	PAE2031-0212	ベルトガイド
20	PAE2031-0213	レーザーセンサー
21	PAE2031-0214	レーザーセンサーホルダー
22	PAE2031-0215	保護ボード
23	PAE2031-0216	ベルトカバー
24	PAE2031-0217	トレイ 5mm

図面番号	アクセサリ番号	中国語名
25	PAE2031-0218	偏心ピン D.10 M8
26	PAE2031-0219	フロントガード
27	PAE2031-0220	トランキング
28	PAE2031-0221	モーター（ブリーを含む）
29	PAE2031-0222	スパーサー D.10X15X6.5
30	PAE2031-0223	ミニチュア調整片
31	PAE2031-0224	レーザーフード
32	PAE2031-0225	平ワッシャ
33	PAE2031-0226	小ブラケット
34	PAE2031-0227	丸頭ねじ M3X14
35	PAE2031-0228	ブレードガイド
36	PAE2031-0229	ガイドホイールセット
37	PAE2031-02	レーザー検出装置アセンブリ
38	PAE2031-0230	レーザーセンサーケーブル
39	PAE2031-0231	ケーブル 4X0.22 6P L.650mm
40	PAE2031-0232	ケーブル 2P L.1400mm

# 第七章 後部検出器



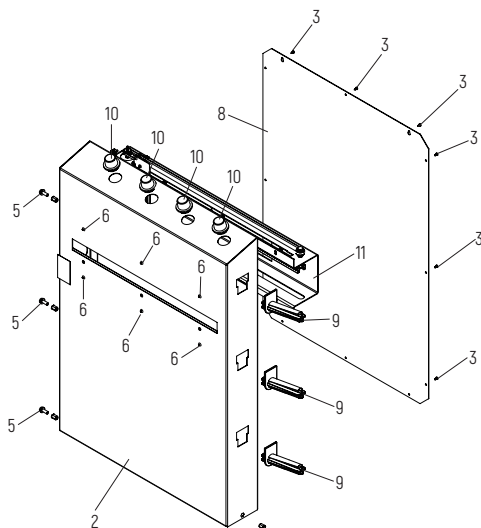
図面番号	アクセサリ番号	中国語名
1	PAE2031-0301	平ワッシャ
2	PAE2031-0201	六角ナット M6
3	PAE2031-0302	六角穴付ボルト M3X16
4	PAE2031-0202	丸頭六角皿頭ねじ M4X5
5	PAE2031-0203	プーリ (シート付)
6	PAE2031-0303	六角穴付ボルト M4X25
7	PAE1031H-135	セルフロック六角ナット M8
8	PAE2031-0304	丸頭ねじ M6X20
9	PAE2031-0305	丸頭ねじ M6X16
10	PAE2031-0206	六角穴付ボルト M4X14
11	PAE1032H-3302	セルフロック六角ナット M4
12	PAE2031-0306	皿頭ねじ M4X16
13	PAE2031-0307	ベルト
14	PAE1032H-0712	平ワッシャ
15	PAE2031-0211	マイクロスイッチ
16	PAE2031-0212	ベルトガイド
17	PAE2031-0213	レーザーセンサー
18	PAE2031-0308	ミニチュア調整片
19	PAE2031-0218	偏心ピン D.10 M8
20	PAE2031-0309	プーリー
21	PAE2031-0222	スペーサー D.10X15X6.5
22	PAE2031-0310	検出器リアブラケット
23	PAE2031-0311	センサーホルダー
24	PAE2031-0312	下部レール

図面番号	アクセサリ番号	中国語名
26	PAE2031-0225	平ワッシャ
27	PAE2031-0313	モーター 48PP
28	PAE2031-0229	ガイドホイールセット
29	PAE2031-03	後部検出器アセンブリ
30	PAE2031-0314	ケーブル 2P L1200mm
31	PAE2031-0315	ケーブル 4X0.22 6P L.900mm
32	PAE2031-0230	レーザーセンサーケーブル
33	PAE2031-0316	ケーブル

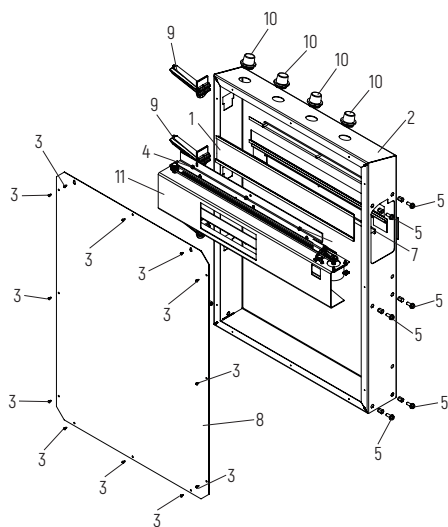


## 第八章 後部検出器ハウジング

正面図

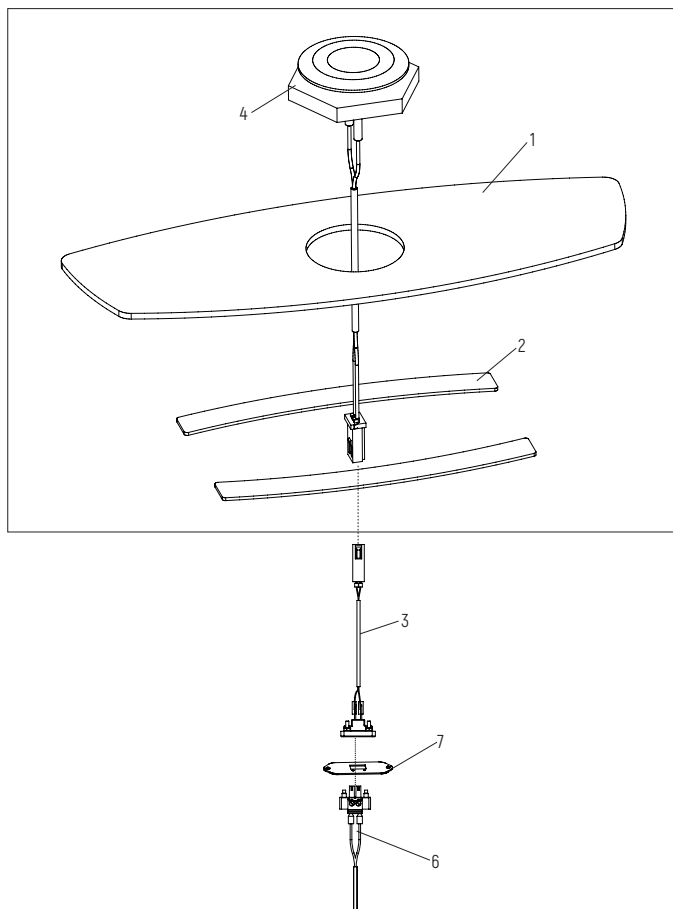


背面図



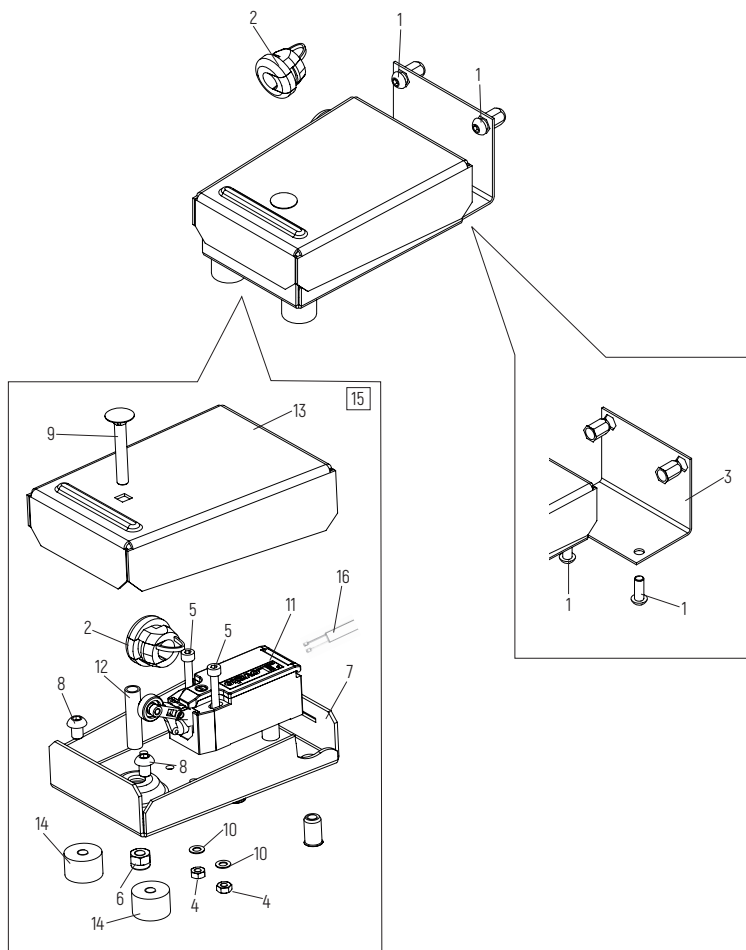
図面番号	アクセサリ番号	中国語名
1	PAE2031-65	ガラス片
2	PAE2031-66	カバー（ラベル付き）
3	PAE2031-09	丸頭ねじ 3.9X9.5
4	PAE1032H-1418	セルフロック六角ナット M6
5	PAE2031-67	六角穴付ボルト M8X20
6	PAE2031-0304	丸頭ねじ M6X20
7	PAE2031-68	パッド
8	PAE2031-69	バックプレーン
9	PAE2031-17	スライドブラケット
10	PAE2031-70	コーンブラケット
11	PAE2031-03	後部検出器アセンブリ

# 第九章 キーボード



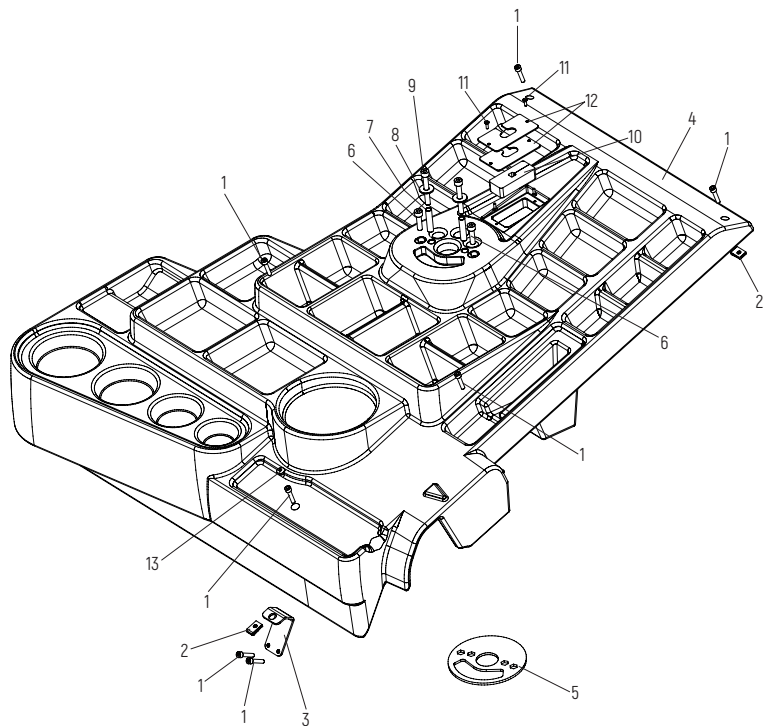
図面番号	アクセサリ番号	中国語名
1	PAE2031-0401	サポートプレート
2	PAE2031-0402	二重ロックラベル
3	PAE2031-71	ケーブル 2X0.34 L360mm
4	PAE2031-0403	ボタン（ケーブル付）
5	PAE2031-04	ボタンアセンブリ
6	PAE2031-72	ケーブル 2x0.34 L 1100mm
7	PAE2031-73	ピース

# 第十章 フットスイッチ



図面番号	アクセサリ番号	中国語名
1	PAE2031-0305	丸頭ねじ M6X16
2	PAE2031-0501	ケーブルコネクタ
3	PAE2031-74	ペダルコネクタ
4	PAE2031-0502	六角ナット M4
5	PAE2031-0503	六角穴付ボルト 1/ 2F M4X30
6	PAE1031H-0105	セルフロック六角ナット M6
7	PAE2031-0504	下部コネクティングピース
8	PAE2031-0505	丸頭ねじ M6X8
9	PAE2031-0506	ネジ 1/ 2F M6X40
10	PAE2031-0507	平ワッシャ
11	PAE2031-0508	マイクロスイッチ 10A
12	PAE2031-0509	スパーサー D.8X6X30
13	PAE2031-0510	上部コネクティングピース
14	PAE1031H-2207	ダンパー 20X13 M6X6
15	PAE2031-05	ペダルアセンブリ
16	PAE2031-0511	ケーブル 2X1 L1500mm

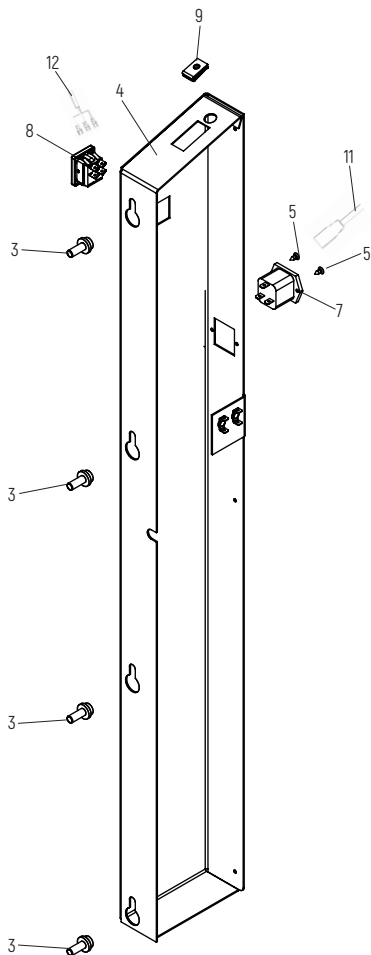
# 第十一章 リードブロックカバー



図面番号	アクセサリ番号	中国語名
1	PAE1031H-0801	六角穴付ボルト M6X30
2	PAE1031H-1415	インサート M6
3	PAE2031-75	固定片
4	PAE2031-76	リードブロックカバー
5	PAE2031-77	ピース
6	PAE2031-78	六角穴付ボルト M8X30
7	PAE2031-79	スペーサー D.8.1X10X44
8	PAE1031H-109	平ワッシャ
9	PAE2031-80	六角穴付ボルト M8X60
10	PAE2031-81	キャップ
11	PAE2031-0205	スパイラル椎体 D4X12
12	PAE2031-82	ケーブルトレイ
13	PAE2031-83	圧力キャップ D.11.1

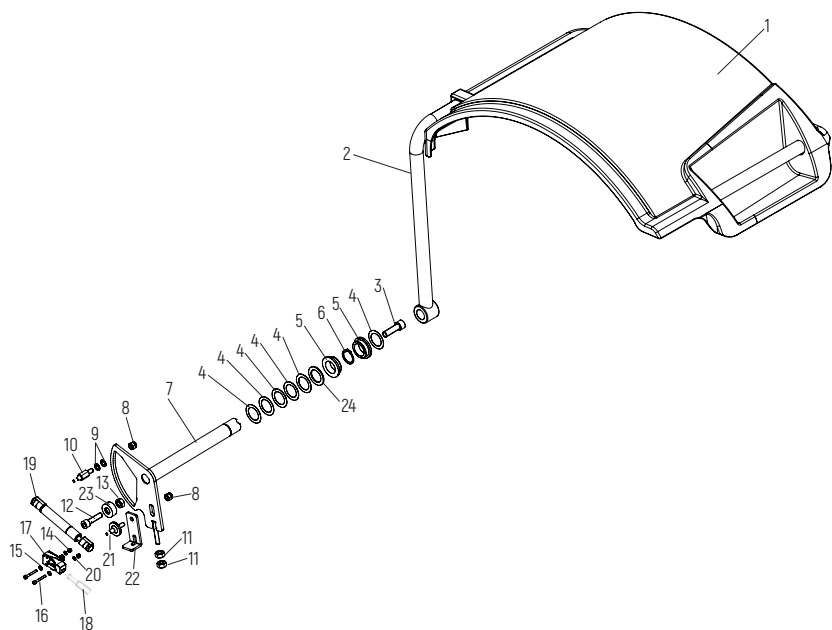


## 第十二章 サイドカバー



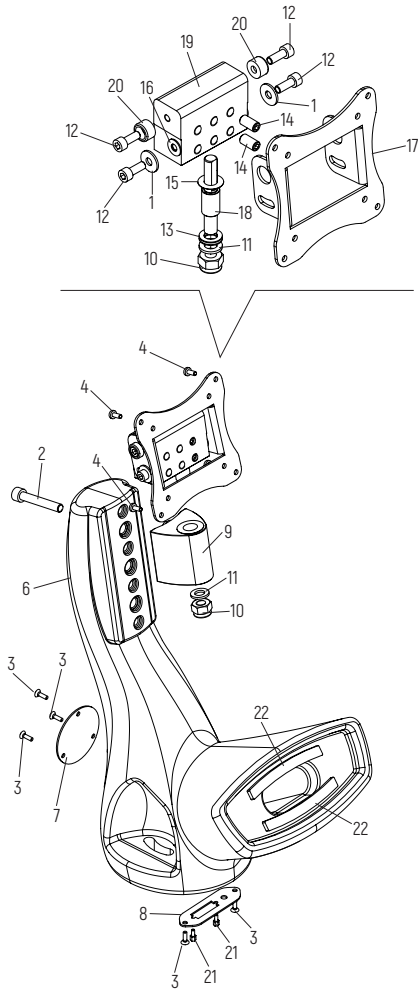
図面番号	アクセサリ番号	中国語名
3	PAE2031-67	六角穴付ボルト M8X20
4	PAE2031-84	サイドカバー
5	PAE2031-85	皿頭タッピングねじ D.3.9X9.5
7	PAE2031-86	単相ソケット 10A-250V
8	PAE2031-87	スイッチ
9	PAE1031H-1415	インサート M6
11	PAE2031-88	ケーブル 2-2.5MT
12	PAE2031-89	VDE 電源コード

## 第十三章 タイヤシールド



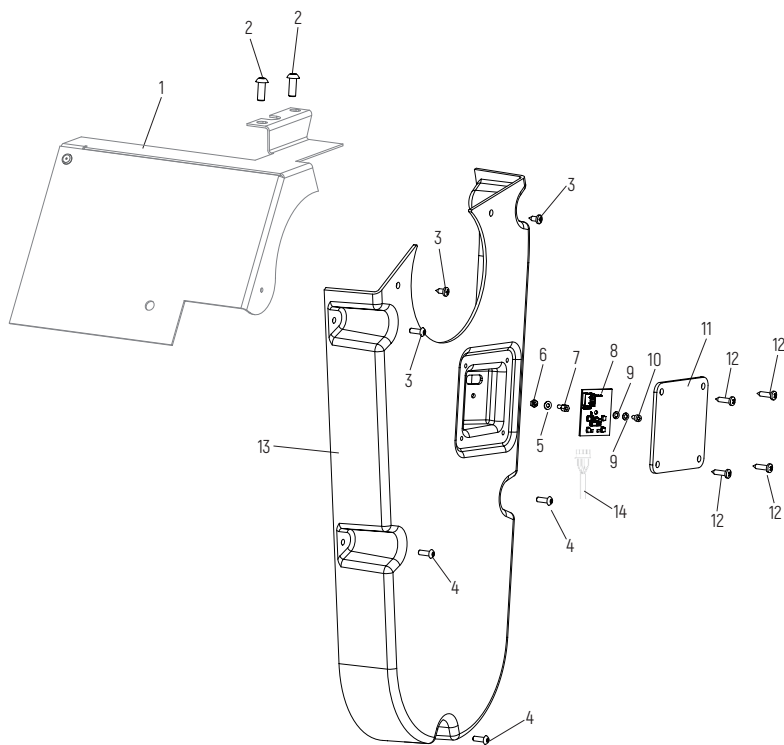
図面番号	アクセサリ番号	中国語名
1	PAE2031-90	ホイール保護カバー 44"
2	PAE2031-91	シールドエルボ
3	PAE2031-92	六角穴付ボルト M12X40
4	PAE2031-93	平ワッシャ
5	PAE2031-94	ブッシュ D.28X38X13
6	PAE2031-95	止め輪 D.28
7	PAE2031-96	ピン
8	PAE1031H-0107	セルフロック六角ナット M8
9	PAE2031-97	平ワッシャ
10	PAE2031-98	コネクタ M8 D.10
11	PAE1031H-102	六角ナット M8
12	PAE2031-99	六角ボルト M10X25
13	PAE1031H-52	六角ナット M10
14	PAE1032H-3302	セルフロック六角ナット M4
15	PAE1031H-2005	平ワッシャ
16	PAE1031H-160	六角穴付ボルト 1/ 2F M4X30
17	PAE1031H-161	マイクロスイッチ 16A
18	PAE2031-100	ケーブル 2P L.1400mm
19	PAE2031-101	ガススプリング
20	PAE1031H-2910	平ワッシャ
21	PAE2031-102	コネクタ M8
22	PAE2031-103	スプリングブラケット
23	PAE2031-104	パッド D.30X13
24	PAE2031-105	平ワッシャ

## 第十四章 ディスプレイスタンドアセンブリ



図面番号	アクセサリ番号	中国語名
1	PAE2031-106	平ワッシャ
2	PAE1031H-251	六角穴付ボルト M8X50
3	PAE2031-107	丸頭皿頭ねじ D.3.5X12
4	PAE2031-108	丸頭プラスねじ M4X10
6	PAE2031-109	ディスプレイスタンド
7	PAE2031-110	ロッキングピース
8	PAE2031-111	固定片
9	PAE2031-112	パッド
10	PAE1031H-148	セルフロックナット M10
11	PAE2031-113	平ワッシャ
12	PAE1031H-0815	六角穴付ボルト M6X16
13	PAE2031-114	平ワッシャ
14	PAE2031-115	皿頭ねじ M8X16
15	PAE2031-116	平ワッシャ
16	PAE2031-117	平ワッシャ
17	PAE2031-118	ディスプレイカードボード
18	PAE2031-119	縦ピン
19	PAE2031-120	ボディコネクタ
20	PAE2031-121	ブッシュブラケットコネクタ
21	PAE2031-122	ピラー
22	PAE2031-123	ラベル

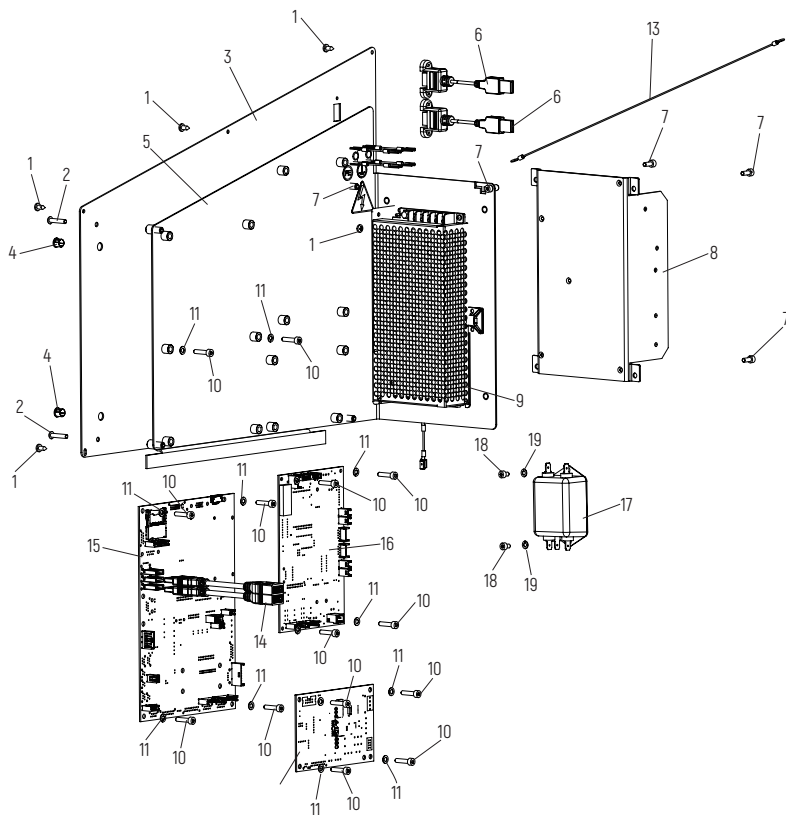
## 第十五章 照明アセンブリ



図面番号	アクセサリ番号	中国語名
1	PAE2031-124	保護カバー
2	PAE2031-0305	丸頭ねじ M6X16
3	PAE2031-09	丸頭ねじ 3.9X9.5
4	PAE2031-125	丸頭ねじ M4X12
5	PAE1031H-2104	平ワッシャ
6	PAE1031H-2612	六角ナット M3
7	PAE2031-126	ピラー M3
8	PAE2031-127	照明ボード
9	PAE2031-128	平ワッシャ
10	PAE2031-129	六角穴付ボルト M3X6
11	PAE2031-130	保護板
12	PAE2031-131	丸頭ねじ D.3.9X16
13	PAE2031-132	カバー
14	PAE2031-133	ケーブル L.2000mm

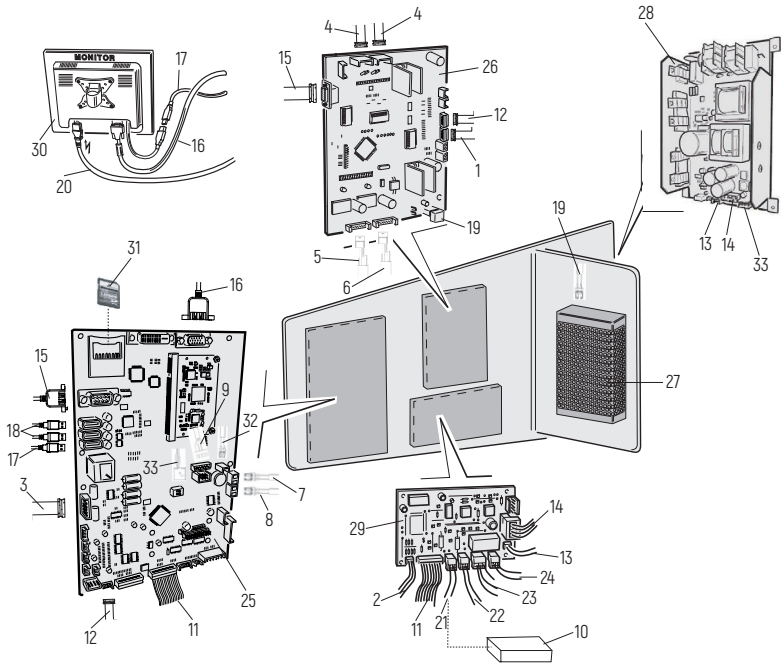


# 第十六章 制御回路



図面番号	アクセサリ番号	中国語名
1	PAE2031-09	丸頭ねじ 3.9X9.5
2	PAE2031-134	丸頭ねじ M4X20
3	PAE2031-135	ロッキングプレート
4	PAE2031-136	ブラックプレッシャーキャップ D.7.9
5	PAE2031-137	サポートプレート
6	PAE2031-138	USB ケーブル
7	PAE2031-12	六角穴付ボルト M4X10
8	PAE2031-139	回路基板
9	PAE2031-140	電源 150W 24V
10	PAE2031-141	六角穴付ボルト M4X18
11	PAE2031-142	平ワッシャ
12	PAE2031-143	モーター制御盤
13	PAE2031-144	ケーブル
14	PAE2031-145	USB 拡張スロット
15	PAE2031-146	回路基板
16	PAE2031-147	回路基板
17	PAE2031-148	整流器 115 / 250V 6A
18	PAE2031-149	六角穴付ボルト M4X6
19	PAE2031-142	平ワッシャ

# 第十七章 回路接続図



図面番号	アクセサリ番号	中国語名
1	PAE2031-62	フラットケーブル 8 芯 L.1100mm
2	PAE2031-63	フラットケーブル 4 芯 L.800mm
3	PAE2031-57	固定座
4	PAE2031-0230	レーザーセンサーケーブル
5	PAE2031-0231	ケーブル 4X0.22 6P L.650mm
6	PAE2031-0315	ケーブル 4X0.22 6P L.900mm
7	PAE2031-150	ケーブル 2×0.34 L.1100mm
8	PAE2031-0511	ケーブル 2X1 L.1500mm
9	PAE2031-133	ケーブル L.2000mm
10	PAE2031-151	インダクタンスフィルタ
11	PAE2031-152	フラットケーブル 9-WAY L.250mm
12	PAE2031-153	フラットケーブル 8-WAY L.650mm
13	PAE2031-154	電源コード 6X0.22 L.510mm
14	PAE2031-155	電源コード SWITCH-MCM 48V
15	PAE2031-156	9 ピンケーブル L.2000mm
16	PAE2031-157	延長コード 15HD L.3000mm
17	PAE2031-145	USB 拡張スロット
18	PAE2031-138	USB ケーブル
19	PAE1031H-186	ケーブル 2P L.500mm
20	PAE2031-89	VDE 電源コード
21	PAE2031-47	ブレーキ
22	PAE2031-0102	クラッチ
23	PAE2031-46	モーター 48V
24	PAE2031-0101	モーターギアボックス

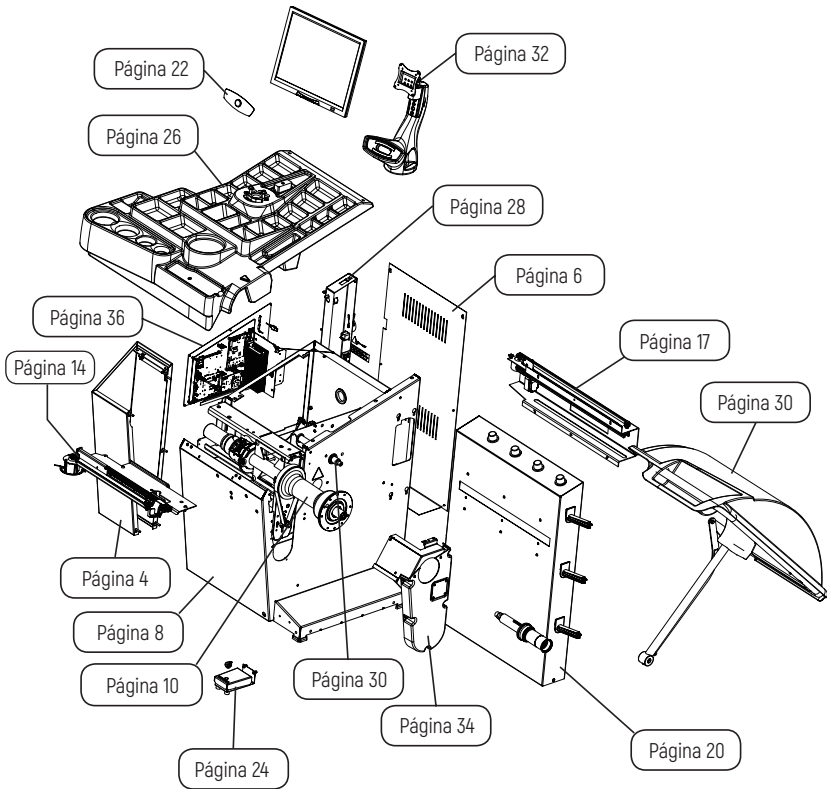
図面番号	アクセサリ番号	中国語名
25	PAE2031-146	回路基板
26	PAE2031-147	回路基板
27	PAE2031-140	電源 150W 24V
28	PAE2031-139	回路基板
29	PAE2031-143	モーター制御盤
30	PAE2031-158	LCD タッチスクリーン工業用グレードディスプレイ
31	PAE2031-159	ラベル
32	PAE2031-100	ケーブル 2P L1400mm
33	PAE2031-160	ケーブル 2XAWG 22 L400mm



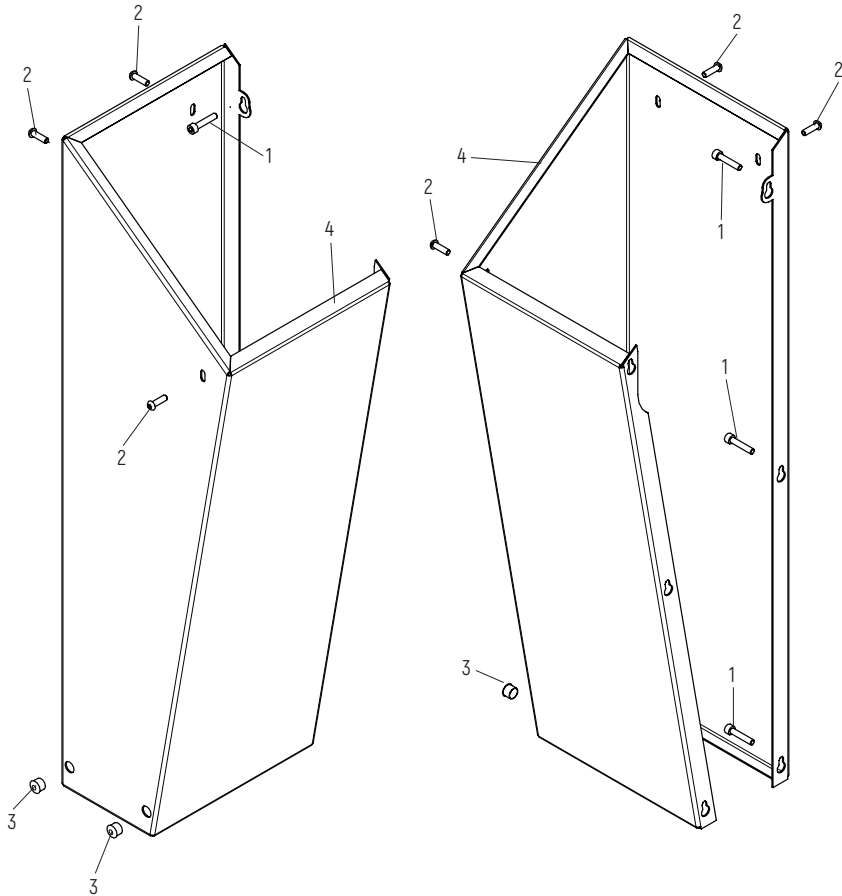
## Tabla de Contenido

Capítulo I	Dibujo de ensamblaje final.....	263
Capítulo II	Cubierta lateral izquierda.....	264
Capítulo III	Placa trasera.....	265
Capítulo IV	Cuadro .....	266
Capítulo V	Conjunto de eje giratorio.....	268
Capítulo VI	Dispositivo de detección por láser construido.....	272
Capítulo VII	Detector trasero.....	275
Capítulo VIII	Caja de detector trasero.....	278
Capítulo IX	Teclado .....	280
Capítulo X	Interruptor de pedal.....	282
Capítulo XI	Cubierta de plomo .....	284
Capítulo XII	Cubierta lateral .....	286
Capítulo XIII	Cubierta protectora del neumático.....	288
Capítulo XIV	Conjunto de base del monitor.....	290
Capítulo XV	Conjunto de iluminación.....	292
Capítulo XVI	Circuito de control.....	294
Capítulo XVII	Diagrama de conexión de circuitos.....	294

## Capítulo I Dibujo de ensamblaje final



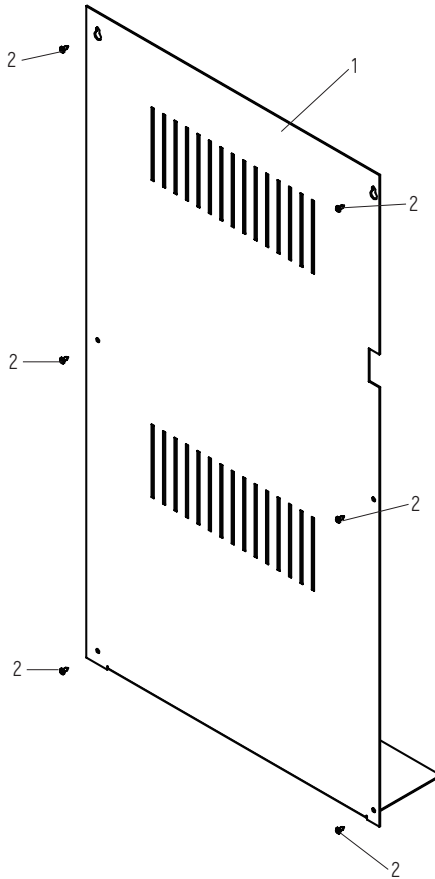
## Capítulo II Cubierta lateral izquierda



N del dibujo	N del accesorio	Nombre en chino
1	PAE1031H-0801	Tornillo hexagonal interno M6x30
2	PAE2031-0304	Tornillo de cabeza redonda M6x30
3	PAE2031-06	Tapa de presión
4	PAE2031-07	Cubierta lateral izquierda



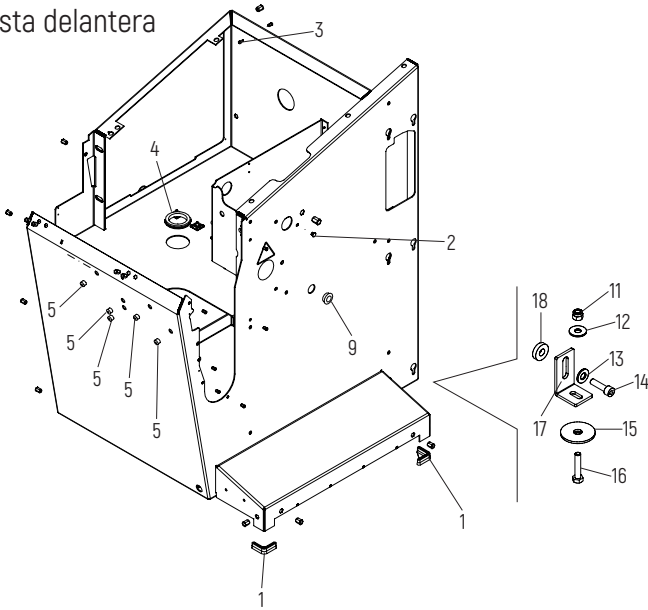
**Capítulo III Placa trasera**



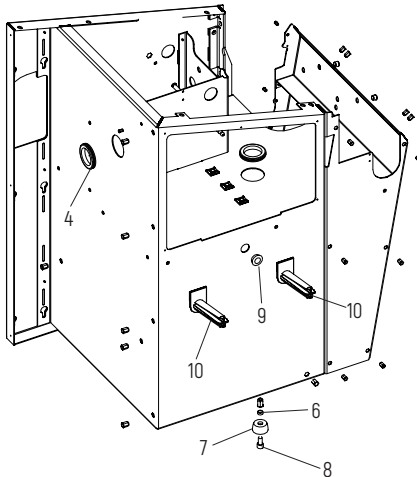
N del dibujo	N del accesorio	Nombre en chino
1	PAE2031-08	Placa trasera
2	PAE2031-09	Tornillo de cabeza redonda D 3.9x9.5

**Capítulo IV Cuadro**

Vista delantera

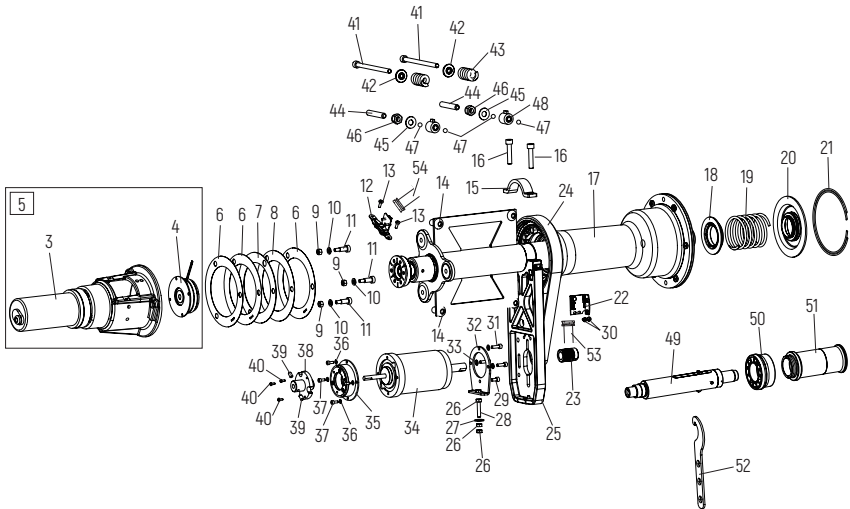
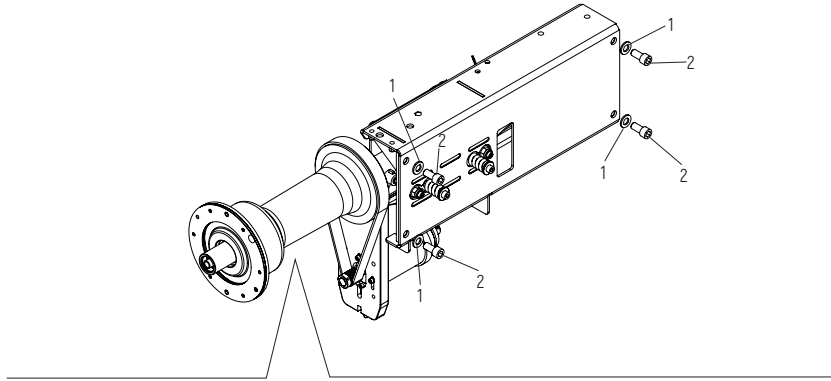


Vista trasera



<b>N del dibujo</b>	<b>N del accesorio</b>	<b>Nombre en chino</b>
1	PAE2031-10	Almohadilla de pie 35X35
2	PAE2031-11	Tapa de presión de plástico
3	PAE2031-12	Tornillo hexagonal interno M4x10
4	PAE2031-13	Anillo de caucho
5	PAE2031-06	Tapa de presión
6	PAE2031-14	Arandela
7	PAE2031-15	Almohadilla de pie
8	PAE1031H-1017	Tornillo hexagonal interno M10x20
9	PAE2031-16	Tapa de presión
10	PAE2031-17	Marco convexo deslizante
11	PAE1031H-0107	Tuerca autoblocante M8
12	PAE1031H-109	Arandela plana
13	PAE1031H-73	Arandela plana
14	PAE2031-18	Tornillo hexagonal interno M10x30
15	PAE2031-19	Arandela plana
16	PAE2031-20	Perno de cabeza hexagonal M8x40
17	PAE2031-21	Soporte de fijación
18	PAE2031-22	Arandela de nilón

**Capítulo V Conjunto de eje giratorio**

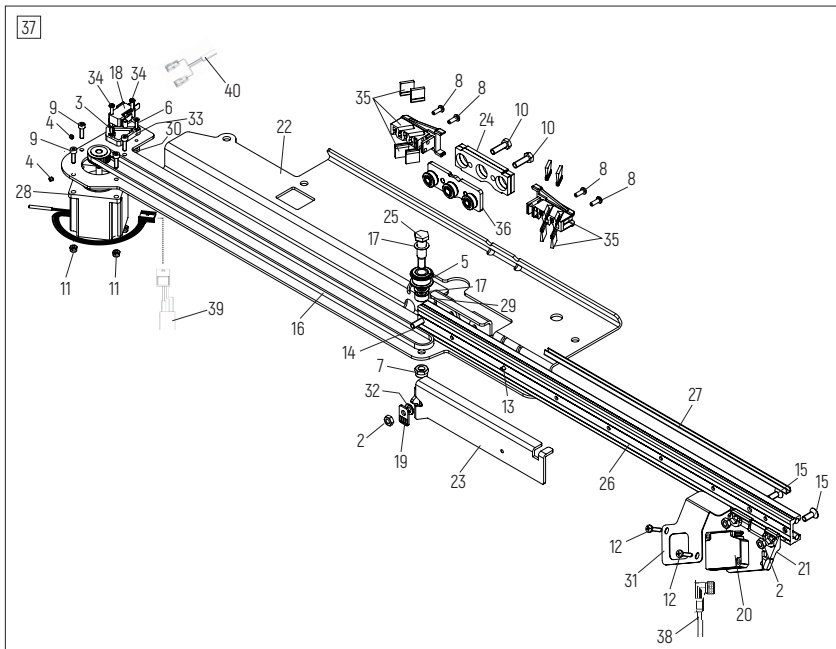
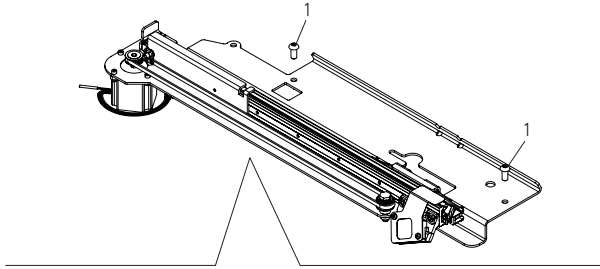


N del dibujo	N del accesorio	Nombre en chino
1	PAE1031H-103	Arandela plana
2	PAE2031-23	Tornillo hexagonal interno M12x25
3	PAE2031-0101	Caja de cambios del motor
4	PAE2031-0102	Embrague
5	PAE2031-01	Conjunto de la caja de cambios
6	PAE2031-24	Arandela plana
7	PAE2031-25	Arandela plana
8	PAE2031-26	Arandela plana
9	PAE1032H-79	Tuerca hexagonal autoblocante M6
10	PAE1031H-0102	Arandela plana
11	PAE2031-27	Tornillo especial 8x16 M6
12	PAE2031-28	Tablero de circuitos del codificador de reflexión
13	PAE2031-29	Tornillo en cruz de cabeza redonda M4x12
14	PAE2031-30	Tornillo de cabeza redonda M12x25
15	PAE2031-31	Placa de fijación del electromotor
16	PAE2031-32	Tornillo hexagonal interno 1/2F M8x40
17	PAE2031-33	Conjunto de eje giratorio C
18	PAE2031-34	Placa de presión del asiento de la válvula de muelle D.40
19	PAE2031-35	Muelle D.4.8X66X121
20	PAE2031-36	Placa de presión del asiento de la válvula de muelle D.40
21	PAE2031-37	Anillo elástico D.127.5X2.5
22	PAE2031-38	Tablero de circuitos de escaneo
23	PAE2031-39	Polea
24	PAE2031-40	Correa

<b>N del dibujo</b>	<b>N del accesorio</b>	<b>Nombre en chino</b>
25	PAE2031-41	Asiento del electromotor
26	PAE1031H-87	Tuerca hexagonal M6
27	PAE1032H-69	Arandela plana
28	PAE2031-42	Perno de cabeza hexagonal M6X50
29	PAE1031H-2203	Tornillo hexagonal interno M5X10
30	PAE2031-43	Tornillo autorroscante de cabeza redonda M4X6
31	PAE1031H-128	Tornillo hexagonal interno M5X20
32	PAE2031-44	Brida del electromotor
33	PAE2031-45	Arandela plana
34	PAE2031-46	Electromotor 48V
35	PAE2031-47	Freno
36	PAE2031-0507	Arandela plana
37	PAE2031-12	Tornillo hexagonal interno M4x10
38	PAE2031-48	Freno de rueda
39	PAE2031-49	Tornillo de cabeza avellanada M6x9
40	PAE2031-50	Tornillo autorroscante de cabeza redonda M3x8
41	PAE2031-51	Tornillo hexagonal interno M8x120
42	PAE2031-52	Buje de muelle
43	PAE2031-53	Muelle D.6X25X41
44	PAE2031-54	Tornillo de cabeza avellanada M10x60
45	PAE2031-55	Muelle D.10.2X23X1.25
46	PAE1031H-148	Tuerca autoblocante M10
47	PAE2031-56	Bola 5/16"
48	PAE2031-57	Base de fijación

<b>N del dibujo</b>	<b>N del accesorio</b>	<b>Nombre en chino</b>
49	PAE2031-58	Eje de bloqueo del cubo
50	PAE2031-59	Placa de aislamiento de rueda
51	PAE2031-60	Engranaje de acoplamiento
52	PAE2031-61	Llave especial
53	PAE2031-62	Cable plano 8 núcleos L.1100mm
54	PAE2031-63	Cable plano 4 núcleos L.800mm

## Capítulo VI Dispositivo de detección por láser construido



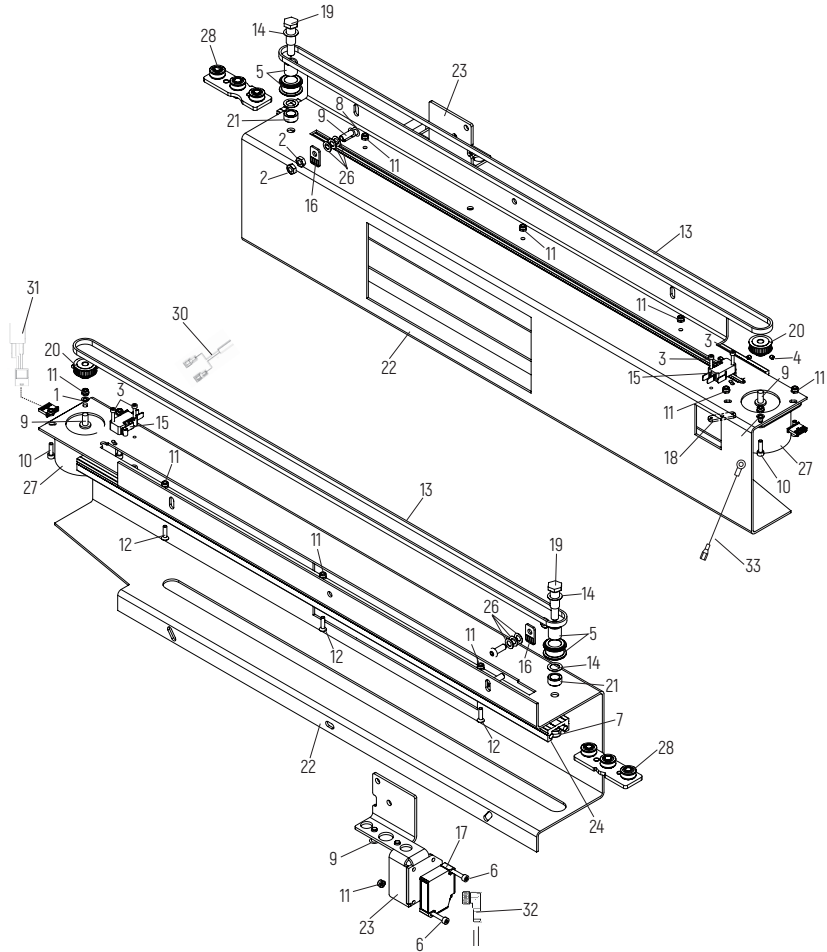


<b>N del dibujo</b>	<b>N del accesorio</b>	<b>Nombre en chino</b>
1	PAE2031-64	Tornillo de cabeza redonda M8x18
2	PAE2031-0201	Tuerca hexagonal M6
3	PAE1031H-2104	Arandela plana
4	PAE2031-0202	Tornillo de cabeza avellanada hexagonal de cabeza redonda M4x4
5	PAE2031-0203	Polea (con base)
6	PAE2031-0204	Tornillo de cabeza avellanada M3x12
7	PAE1031H-135	Tuerca hexagonal autoblocante M8
8	PAE2031-0205	Cono espiral M4x12
9	PAE2031-0206	Tornillo hexagonal interno M4x14
10	PAE1031H-0109	Perno de cabeza hexagonal M6x20
11	PAE1032H-3302	Tuerca hexagonal autoblocante M4
12	PAE2031-0207	Cono espiral M4X20
13	PAE1032H-0715	Tornillo de cabeza avellanada M6X20
14	PAE2031-0208	Tornillo de cabeza avellanada M4X8
15	PAE2031-0209	Tornillo de cabeza avellanada M6X16
16	PAE2031-0210	Correa
17	PAE1032H-0712	Arandela plana
18	PAE2031-0211	Microinterruptor
19	PAE2031-0212	Disco direccional de la correa
20	PAE2031-0213	Sensor de láser
21	PAE2031-0214	Base del sensor de láser
22	PAE2031-0215	Placa de protección
23	PAE2031-0216	Cubierta de correa
24	PAE2031-0217	Bandeja 5mm



<b>N del dibujo</b>	<b>N del accesorio</b>	<b>Nombre en chino</b>
25	PAE2031-0218	Pasador excéntrico D.10 M8
26	PAE2031-0219	Placa de protección delantera
27	PAE2031-0220	Canal de cables
28	PAE2031-0221	Electromotor (incluida polea)
29	PAE2031-0222	Espaciador D10x15x6.5
30	PAE2031-0223	Placa de regulación pequeña
31	PAE2031-0224	Cubierta de cabeza de láser
32	PAE2031-0225	Arandela plana
33	PAE2031-0226	Soporte pequeño
34	PAE2031-0227	Tornillo de cabeza redonda M3x14
35	PAE2031-0228	Base direccional de paleta
36	PAE2031-0229	Grupo de ruedas guía
37	PAE2031-02	Conjunto de dispositivo de detección por láser
38	PAE2031-0230	Cable del sensor de láser
39	PAE2031-0231	Cable 4X0.22 6P L.650mm
40	PAE2031-0232	Cable 2P L.1400mm

**Capítulo VII Detector trasero**

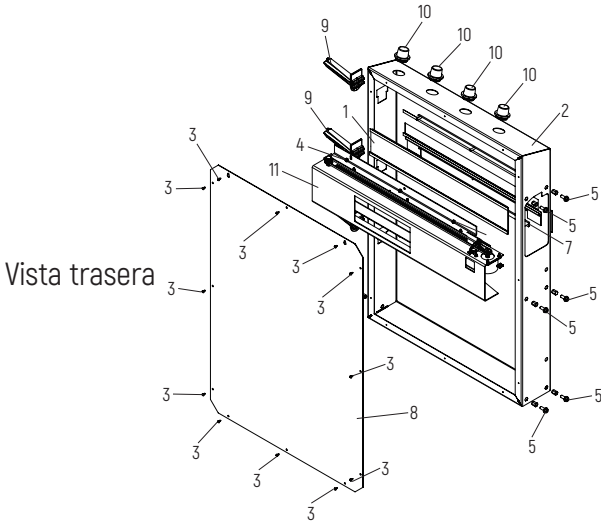
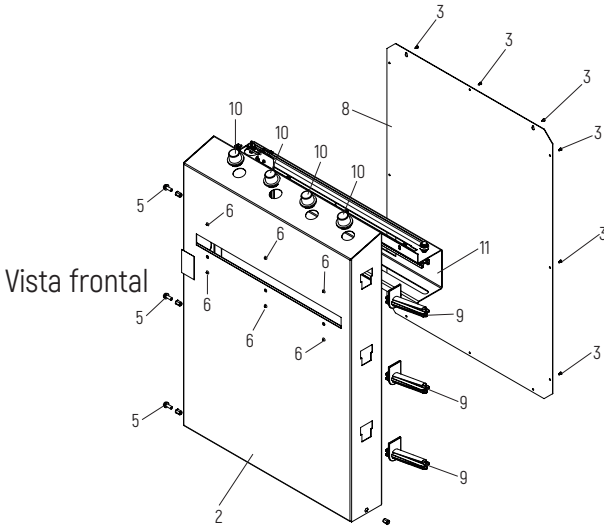


<b>N del dibujo</b>	<b>N del accesorio</b>	<b>Nombre en chino</b>
1	PAE2031-0301	Arandela plana
2	PAE2031-0201	Tuerca hexagonal M6
3	PAE2031-0302	Tornillo hexagonal interno M3x16
4	PAE2031-0202	Tornillo de cabeza avellanada hexagonal de cabeza redonda M4X5
5	PAE2031-0203	Polea (con base)
6	PAE2031-0303	Tornillo hexagonal interno M4X25
7	PAE1031H-135	Tuerca hexagonal autoblocante M8
8	PAE2031-0304	Tornillo de cabeza redonda M6X20
9	PAE2031-0305	Tornillo de cabeza redonda M6X16
10	PAE2031-0206	Tornillo hexagonal interno M4x14
11	PAE1032H-3302	Tuerca hexagonal autoblocante M4
12	PAE2031-0306	Tornillo de cabeza avellanada M4X16
13	PAE2031-0307	Correa
14	PAE1032H-0712	Arandela plana
15	PAE2031-0211	Microinterruptor
16	PAE2031-0212	Disco direccional de la correa
17	PAE2031-0213	Sensor de láser
18	PAE2031-0308	Placa de regulación pequeña
19	PAE2031-0218	Pasador excéntrico D.10 M8
20	PAE2031-0309	Polea
21	PAE2031-0222	Espaciador D.10x15x6.5
22	PAE2031-0310	Soporte trasero del detector
23	PAE2031-0311	Soporte del sensor
24	PAE2031-0312	Riel guía inferior



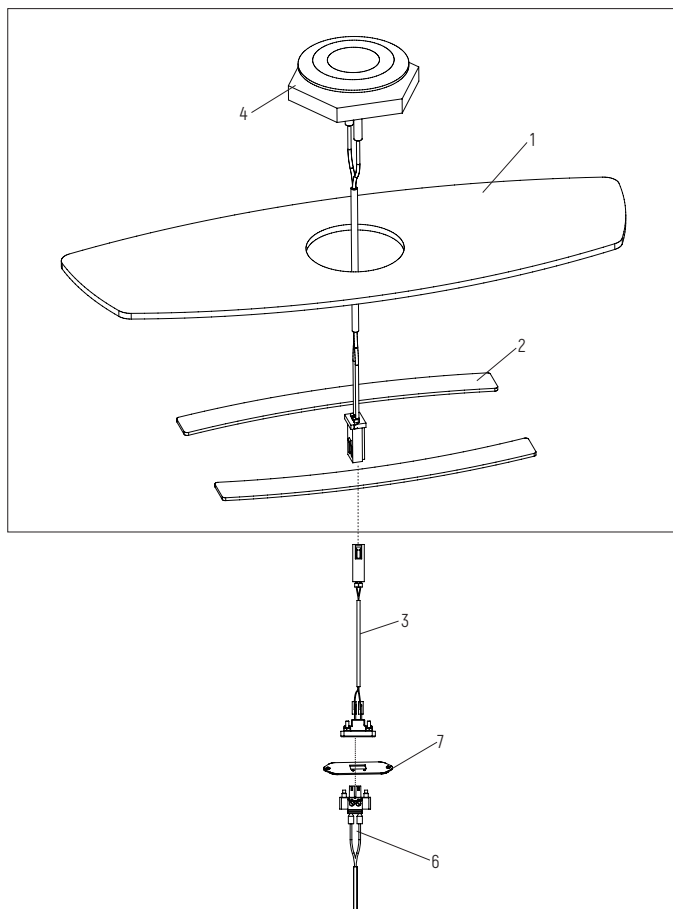
<b>N del dibujo</b>	<b>N del accesorio</b>	<b>Nombre en chino</b>
26	PAE2031-0225	Arandela plana
27	PAE2031-0313	Electromotor 48PP
28	PAE2031-0229	Grupo de ruedas guía
29	PAE2031-03	Conjunto de detector trasero
30	PAE2031-0314	Cable 2P L.1200mm
31	PAE2031-0315	Cable 4X0.22 6P L.900mm
32	PAE2031-0230	Cable del sensor de láser
33	PAE2031-0316	Cable

**Capítulo VIII Caja de detector trasero**



<b>N del dibujo</b>	<b>N del accesorio</b>	<b>Nombre en chino</b>
1	PAE2031-65	Placa de vidrio
2	PAE2031-66	Carcasa de cubierta (incluida etiqueta)
3	PAE2031-09	Tornillo de cabeza redonda 3.9x9.5
4	PAE1032H-1418	Tuerca hexagonal autoblocante M6
5	PAE2031-67	Tornillo hexagonal interno M8x20
6	PAE2031-0304	Tornillo de cabeza redonda M6x20
7	PAE2031-68	Placa almohadilla
8	PAE2031-69	Placa trasera
9	PAE2031-17	Marco convexo deslizante
10	PAE2031-70	Soporte cónico
11	PAE2031-03	Conjunto de detector trasero

# Capítulo IX Teclado

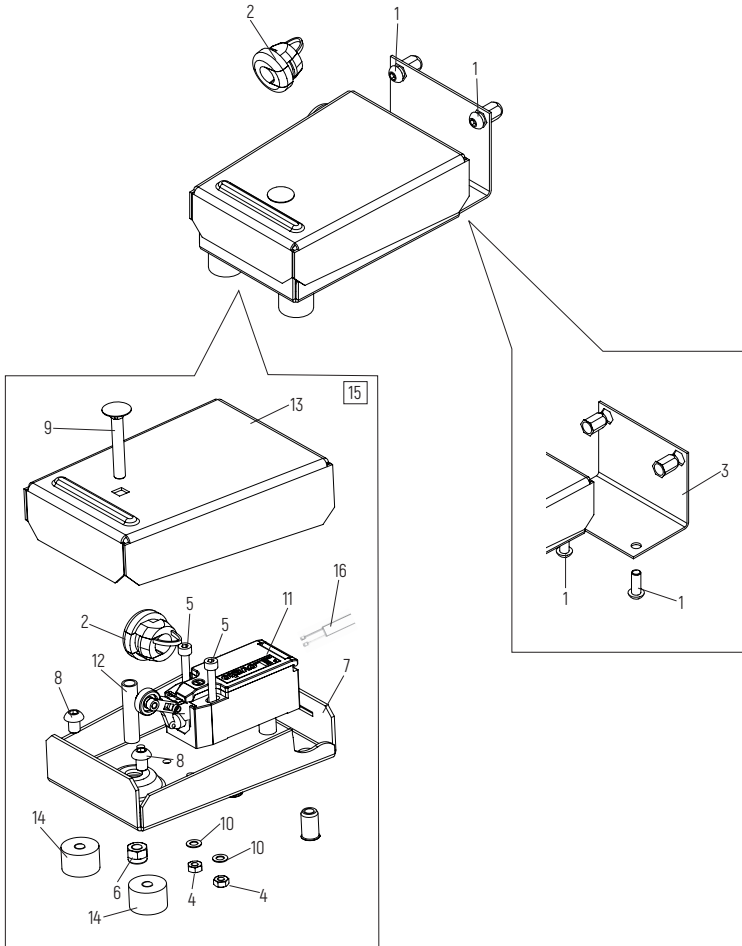






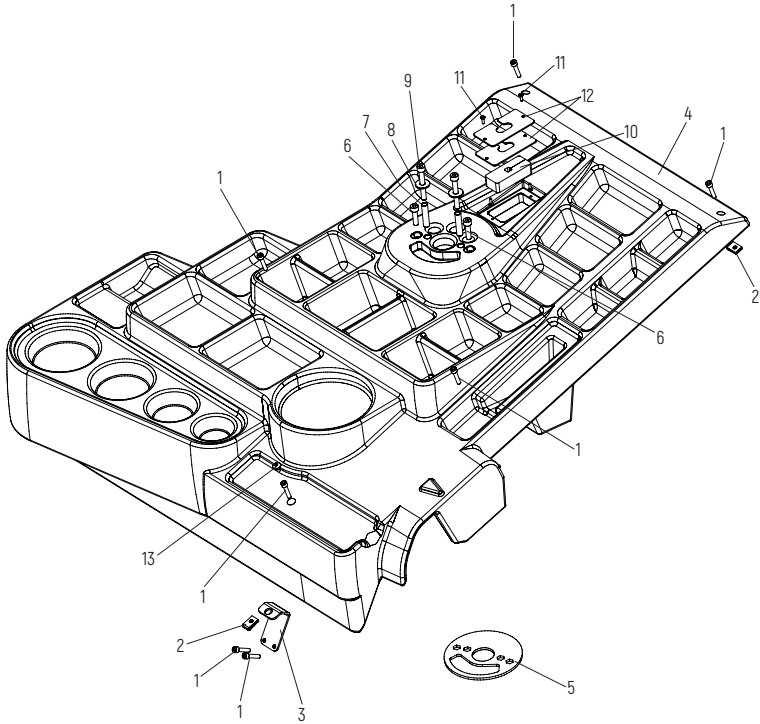
<b>N del dibujo</b>	<b>N del accesorio</b>	<b>Nombre en chino</b>
1	PAE2031-0401	Placa de soporte
2	PAE2031-0402	Etiqueta de doble bloqueo
3	PAE2031-71	Cable 2X0.34 L.360mm
4	PAE2031-0403	Botón (incluido cable)
5	PAE2031-04	Conjunto de botón
6	PAE2031-72	Cable 2X0.34 L. 1100mm
7	PAE2031-73	Placa

**Capítulo X Interruptor de pedal**



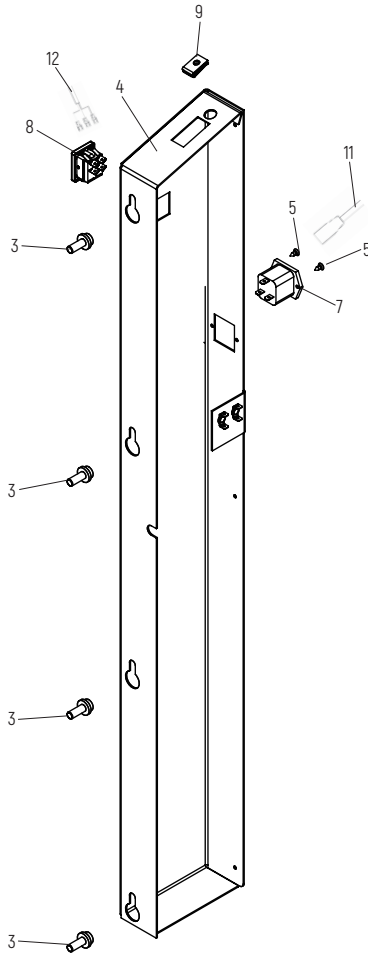
<b>N del dibujo</b>	<b>N del accesorio</b>	<b>Nombre en chino</b>
1	PAE2031-0305	Tornillo de cabeza redonda M6X16
2	PAE2031-0501	Conector del cable
3	PAE2031-74	Pieza de conexión del pedal
4	PAE2031-0502	Tuerca hexagonal M4
5	PAE2031-0503	Tornillo hexagonal interno 1/2F M4X30
6	PAE1031H-0105	Tuerca hexagonal autoblocante M6
7	PAE2031-0504	Placa de conexión inferior
8	PAE2031-0505	Tornillo de cabeza redonda M6x8
9	PAE2031-0506	Tornillo 1/2F M6X40
10	PAE2031-0507	Arandela plana
11	PAE2031-0508	Microinterruptor 10A
12	PAE2031-0509	Espaciador D.8X6X30
13	PAE2031-0510	Placa de conexión superior
14	PAE1031H-2207	Junta amortiguadora 20X13 M6X6
15	PAE2031-05	Conjunto de pedal
16	PAE2031-0511	Cable 2X1 L1500mm

**Capítulo XI Cubierta de plomo**



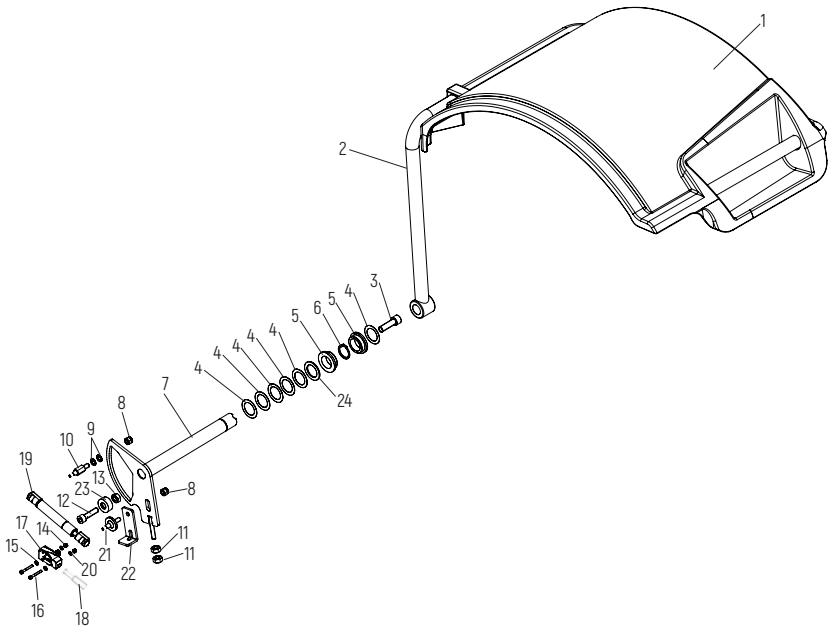
<b>N del dibujo</b>	<b>N del accesorio</b>	<b>Nombre en chino</b>
1	PAE1031H-0801	Tornillo hexagonal interno M6x30
2	PAE1031H-1415	Placa de inserción M6
3	PAE2031-75	Placa de fijación
4	PAE2031-76	Cubierta de plomo
5	PAE2031-77	Placa
6	PAE2031-78	Tornillo hexagonal interno M8x30
7	PAE2031-79	Espaciador D.8.1X10X44
8	PAE1031H-109	Arandela plana
9	PAE2031-80	Tornillo hexagonal interno M8x60
10	PAE2031-81	Tapa
11	PAE2031-0205	Cono espiral D4x12
12	PAE2031-82	Carrete de cables
13	PAE2031-83	Tapa de presión D.111

## Capítulo XII Cubierta lateral



<b>N del dibujo</b>	<b>N del accesorio</b>	<b>Nombre en chino</b>
3	PAE2031-67	Tornillo hexagonal interno M8x20
4	PAE2031-84	Cubierta lateral
5	PAE2031-85	Tornillo autorroscante de cabeza avellanada D.3.9X9.5
7	PAE2031-86	Tomacorriente monofásico 10A-250V
8	PAE2031-87	Interruptor
9	PAE1031H-1415	Placa de inserción M6
11	PAE2031-88	Cable 2-2.5MT
12	PAE2031-89	Cable de alimentación VDE

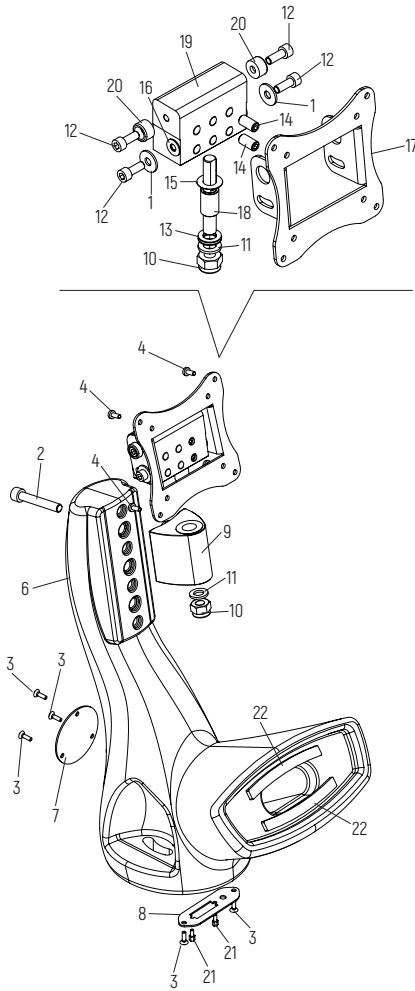
### Capítulo XIII Cubierta protectora del neumático





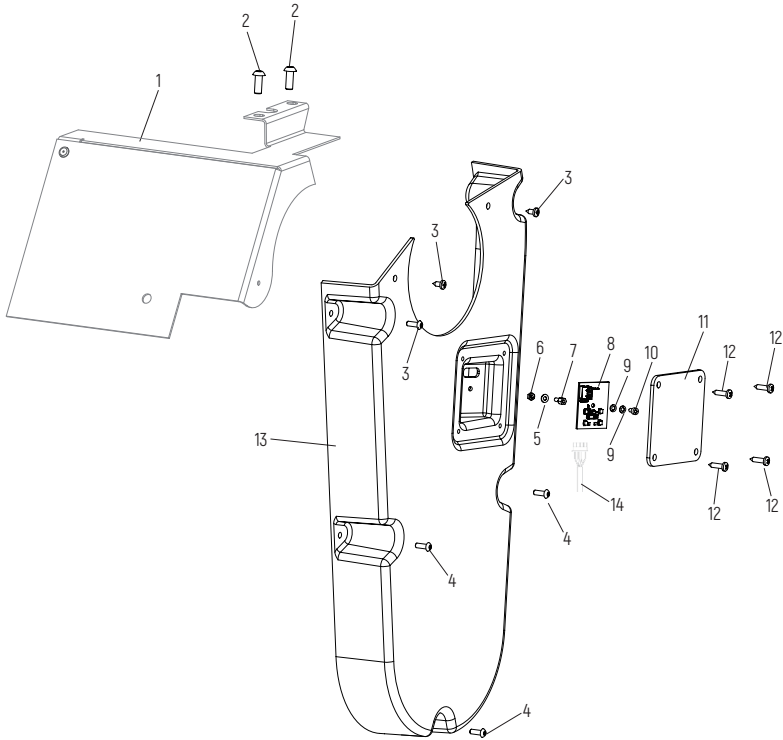
<b>N del dibujo</b>	<b>N del accesorio</b>	<b>Nombre en chino</b>
1	PAE2031-90	Cubierta protectora de la rueda 44"
2	PAE2031-91	Tubo doblado de la cubierta protectora
3	PAE2031-92	Tornillo hexagonal interno M12X40
4	PAE2031-93	Arandela plana
5	PAE2031-94	Buje D.28X38X13
6	PAE2031-95	Anillo de retención D.28
7	PAE2031-96	Pasador
8	PAE1031H-0107	Tuerca hexagonal autoblocante M8
9	PAE2031-97	Arandela plana
10	PAE2031-98	Conector M8 D.10
11	PAE1031H-102	Tuerca hexagonal M8
12	PAE2031-99	Tornillo de cabeza hexagonal M10X25
13	PAE1031H-52	Tuerca hexagonal M10
14	PAE1032H-3302	Tuerca hexagonal autoblocante M4
15	PAE1031H-2005	Arandela plana
16	PAE1031H-160	Tornillo hexagonal interno 1/2F M4X30
17	PAE1031H-161	Microinterruptor 16A
18	PAE2031-100	Cable 2P L.1400mm
19	PAE2031-101	Muelle neumático
20	PAE1031H-2910	Arandela plana
21	PAE2031-102	Conector M8
22	PAE2031-103	Soporte de muelle
23	PAE2031-104	Junta D.30x13
24	PAE2031-105	Arandela plana

**Capítulo XIV Conjunto de base del monitor**



N del dibujo	N del accesorio	Nombre en chino
1	PAE2031-106	Arandela plana
2	PAE1031H-251	Tornillo hexagonal interno M8X50
3	PAE2031-107	Tornillo de cabeza avellanada de cabeza redonda D.3.5X12
4	PAE2031-108	Tornillo en cruz de cabeza redonda M4X10
6	PAE2031-109	Base del monitor
7	PAE2031-110	Placa de bloqueo
8	PAE2031-111	Placa de fijación
9	PAE2031-112	Bloque almohadilla
10	PAE1031H-148	Tuerca autoblocante M10
11	PAE2031-113	Arandela plana
12	PAE1031H-0815	Tornillo hexagonal interno M6X16
13	PAE2031-114	Arandela plana
14	PAE2031-115	Tornillo de cabeza avellanada M8X16
15	PAE2031-116	Arandela plana
16	PAE2031-117	Arandela plana
17	PAE2031-118	Placa de sujeción del monitor
18	PAE2031-119	Pasador vertical
19	PAE2031-120	Conector del cuerpo propio
20	PAE2031-121	Conector del soporte del forro del eje
21	PAE2031-122	Columna
22	PAE2031-123	Etiqueta

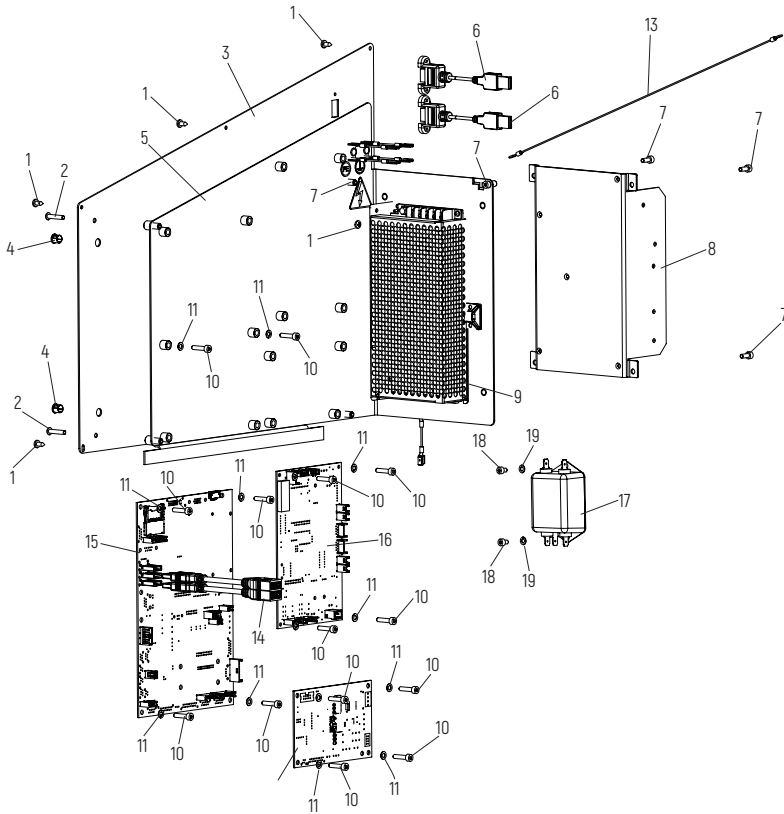
# Capítulo XV Conjunto de iluminación



<b>N del dibujo</b>	<b>N del accesorio</b>	<b>Nombre en chino</b>
1	PAE2031-124	Cubierta protectora
2	PAE2031-0305	Tornillo de cabeza redonda M6X16
3	PAE2031-09	Tornillo de cabeza redonda 3.9x9.5
4	PAE2031-125	Tornillo de cabeza redonda M4x12
5	PAE1031H-2104	Arandela plana
6	PAE1031H-2612	Tuerca hexagonal M3
7	PAE2031-126	Columna M3
8	PAE2031-127	Tablero de circuitos de iluminación
9	PAE2031-128	Arandela plana
10	PAE2031-129	Tornillo hexagonal interno M3x6
11	PAE2031-130	Placa protectora
12	PAE2031-131	Tornillo de cabeza redonda D.3.9 x 16
13	PAE2031-132	Cubierta externa
14	PAE2031-133	Cable L.2000mm

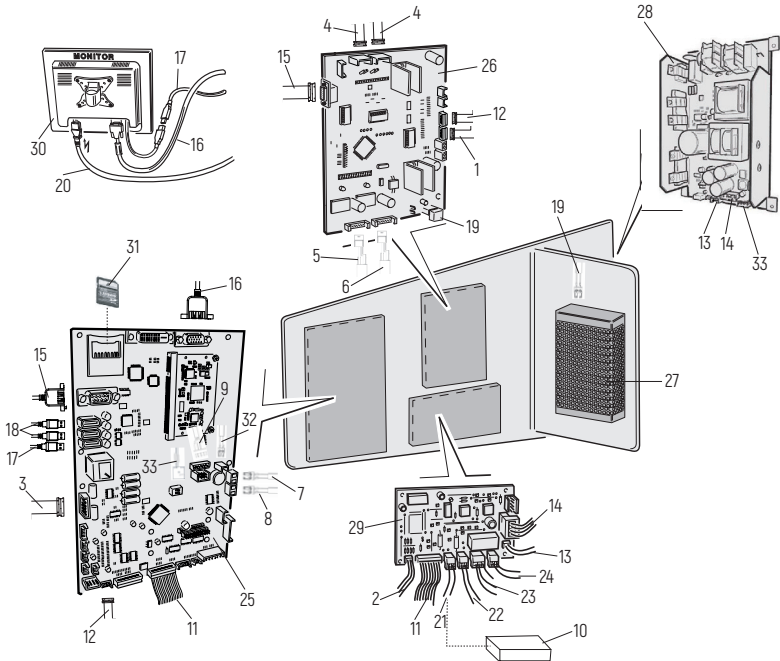


# Capítulo XVI Circuito de control



<b>N del dibujo</b>	<b>N del accesorio</b>	<b>Nombre en chino</b>
1	PAE2031-09	Tornillo de cabeza redonda 3.9x9.5
2	PAE2031-134	Tornillo de cabeza redonda M4x20
3	PAE2031-135	Placa de bloqueo
4	PAE2031-136	Tapa de presión negra D.79
5	PAE2031-137	Placa de soporte
6	PAE2031-138	Cable USB
7	PAE2031-12	Tornillo hexagonal interno M4x10
8	PAE2031-139	Tablero de circuitos
9	PAE2031-140	Alimentación 150W 24V
10	PAE2031-141	Tornillo hexagonal interno M4X18
11	PAE2031-142	Arandela plana
12	PAE2031-143	Tablero de control del electromotor
13	PAE2031-144	Cable
14	PAE2031-145	Ranura de extensión USB
15	PAE2031-146	Tablero de circuitos
16	PAE2031-147	Tablero de circuitos
17	PAE2031-148	Rectificador 115/250V 6A
18	PAE2031-149	Tornillo hexagonal interno M4X6
19	PAE2031-142	Arandela plana

**Capítulo XVII Diagrama de conexión de circuitos**





N del dibujo	N del accesorio	Nombre en chino
1	PAE2031-62	Cable plano 8 núcleos L.1100mm
2	PAE2031-63	Cable plano 4 núcleos L.800mm
3	PAE2031-57	Base de fijación
4	PAE2031-0230	Cable del sensor de láser
5	PAE2031-0231	Cable 4X0.22 6P L.650mm
6	PAE2031-0315	Cable 4X0.22 6P L.900mm
7	PAE2031-150	Cable 2X0.34 L. 1100mm
8	PAE2031-0511	Cable 2X1 L.1500mm
9	PAE2031-133	Cable L.2000mm
10	PAE2031-151	Filtro inductivo
11	PAE2031-152	Cable plano 9-WAY L.250mm
12	PAE2031-153	Cable plano 8-WAY L.650mm
13	PAE2031-154	Cable de alimentación 6X0.22 L.510mm
14	PAE2031-155	Cable de alimentación SWITCH-MCM 48V
15	PAE2031-156	Cable en barra de 9 pines L.2000mm
16	PAE2031-157	Cable extendido 15HD L.3000mm
17	PAE2031-145	Ranura de extensión USB
18	PAE2031-138	Cable USB
19	PAE1031H-186	Cable 2P L.500mm
20	PAE2031-89	Cable de alimentación VDE
21	PAE2031-47	Freno
22	PAE2031-0102	Embrague
23	PAE2031-46	Electromotor 48V
24	PAE2031-0101	Caja de cambios del motor

<b>N del dibujo</b>	<b>N del accesorio</b>	<b>Nombre en chino</b>
25	PAE2031-146	Tablero de circuitos
26	PAE2031-147	Tablero de circuitos
27	PAE2031-140	Alimentación 150W 24V
28	PAE2031-139	Tablero de circuitos
29	PAE2031-143	Tablero de control del electromotor
30	PAE2031-158	Monitor de nivel industrial de pantalla táctil LCD
31	PAE2031-159	Etiqueta
32	PAE2031-100	Cable 2P L.1400mm
33	PAE2031-160	Cable 2XAWG 22 L.400mm



适用型号 / Model/ Anwendbare Modelle/Применимая модель  
적용사이즈 / Modelosaplicáveis / 適用モデル / Modelo aplicable:

AE2031

版本号 / Version No / Versionsnummer / Номер версии  
버전 번호 / Versão no. / バージョン番号 / No. de versión:

V-AE-2031-1224

世达汽车科技（上海）有限公司  
SATA Automotive Technology (Shanghai) Co., Ltd  
SATA Automobiltechnologie (Shanghai) GmbH  
ООО Шанхайская автомобильная технологическая компания SATA  
사타 자동차 기술 (상하이) 유한회사  
SATA Tecnologia Automotiva (Shanghai) Ltda  
世達自動車科技（上海）有限公司  
SATA Automotive Technology (Shanghai) Co., Ltd  
客户服务：上海市嘉定区南翔镇静唐路 988 号 5-12 幢  
Customer service: Building 5-12, No. 988, Jingtang Road, Nanxiang Town, Jiading District, Shanghai  
Kundendienst: Gebäude 5-12, Jingtang Straße 988, Gemeinde Nanxiang, Bezirk Jiading, Shanghai  
Обслуживание клиентов: г. Шанхай, район Цзядин, поселок Наньсян, ул. Цзинтан, д. 988, корпус 5-12  
고객 서비스 : 상하이시 자딩구 난상진 정탕로 988 번 5-12 동  
Atendimento ao Cliente: Rua JingTang, No. 988, Bloco 5-12, Aldeia Nanxiang, Bairro Jiading, Shanghai  
アフターサービス：上海市嘉定区南翔鎮靜唐路 988 号 5-12 棟  
Servicio al cliente: Av. Jingtang n.º 988, edificio 5-12, poblado de Nanxiang, distrito de Jiading, Shanghai, China  
邮编 /Post/ Postleitzahl / Почтовый индекс/ 우편번호 / Código Postal / 郵便番号 / Código postal: 201802  
电话 /Tel./ Tel./ Тел./ 전화 / Тел. / 電話番号 /Tel.: (86 21) 6061 1919  
传真 /Fax/Fax/Факс./ 팩스 / Fax/ ファックス番号 / Fax: (86 21) 6061 1918