



SATA®

5 抽屉带轮工具车 47"

5-drawer tool car with casters 47"

Werkzeugwagen mit Rädern und 5 Schubladen

Тележка для инструментов с 5 ящиками на колесах 47 "

5 서랍 바퀴 장착 트롤리 47"

Carrinho de ferramentas com rodas de 5 gavetas de 47 "

5 個引き出し・キャスター付ツールカート 47"

5 Carrito de herramienta con rodillo de cajón 47"

95207/95208

使用说明书 \ User's Manual \ Bedienungsanleitung \ Инструкция по эксплуатации
사용설명서 \ Manual de instruções \ 取扱説明書 \ Manual del uso



产品介绍:

- 1) 高强度的结构设计和喷粉表面处理工艺,能适应工厂较复杂的工作环境。
- 2) 装有优质滑轨,保证抽屉承受额定载荷时亦能轻松顺畅开合。
- 3) 抽屉两侧采用叠加式滚珠滑轨,具有优秀的顺畅度。
- 4) 根据需要可自由选择配置不同高度的抽屉,充分满足生产现场的需要。
- 5) 锁具先进,只用一把锁就能锁上所有的抽屉,充分满足生产现场的需要。
- 6) 全宽型铝合金抽屉把手及可更换的标签,美观、方便、实用。
- 7) 采用国际先进水平锁具,只一把锁就能锁上所有抽屉,保证物品安全。
- 8) 高品质的脚轮,推行平稳,方向性好,刹车固定后不会滑动。
- 9) 工具车的工作台面采用不锈钢台面加密度板固化,强度更高。
- 10) 采用环形锁匙结构,可延长锁的使用寿命。
- 11) 工具车的重型脚轮,单个承重 120KG,12EMM 直径更容易跨越障碍物。
- 12) 工具车左边柜子用来拜访各种物品,方便实用。
- 13) 工具车抽屉内可以存放丰富的工具模块。
- 14) 抽屉单个静态承重 40KG,工具车整体静态承重 400KG。

95208S 103 件通用钣金组套:

推荐配置,需另行购买

序号	世达编码	世达工具名称	数量
1	3931	粗齿半圆锉 6"	1
2	3939	细齿半圆锉 6"	1
3	3971	中齿圆锉 6"	1
4	3991	中齿三角锉 6"	1
5	9105	9 件加长球头内六角扳手组套	1
6	9408	塑料铆钉拆卸专用钳	1
7	11304	6.3MM 系列 6 角套筒 5MM	1
8	11305	6.3MM 系列 6 角套筒 5.5MM	1
9	11306	6.3MM 系列 6 角套筒 6MM	1
10	11307	6.3MM 系列 6 角套筒 7MM	1
11	11308	6.3MM 系列 6 角套筒 8MM	1
12	11309	6.3MM 系列 6 角套筒 9MM	1
13	11310	6.3MM 系列 6 角套筒 10MM	1
14	11901	6.3MM 系列快速脱落棘轮扳手 5"	1
15	11903	6.3MM 系列转向接杆 2"	1
16	11904	6.3MM 系列转向接杆 4"	1
17	11910	6.3MM 系列滑行杆 4"	1
18	11911	6.3MM 系列旋柄	1
19	11912	6.3MM 系列万向接头	1
20	13408	12.5MM 系列 6 角长套筒 17MM	1

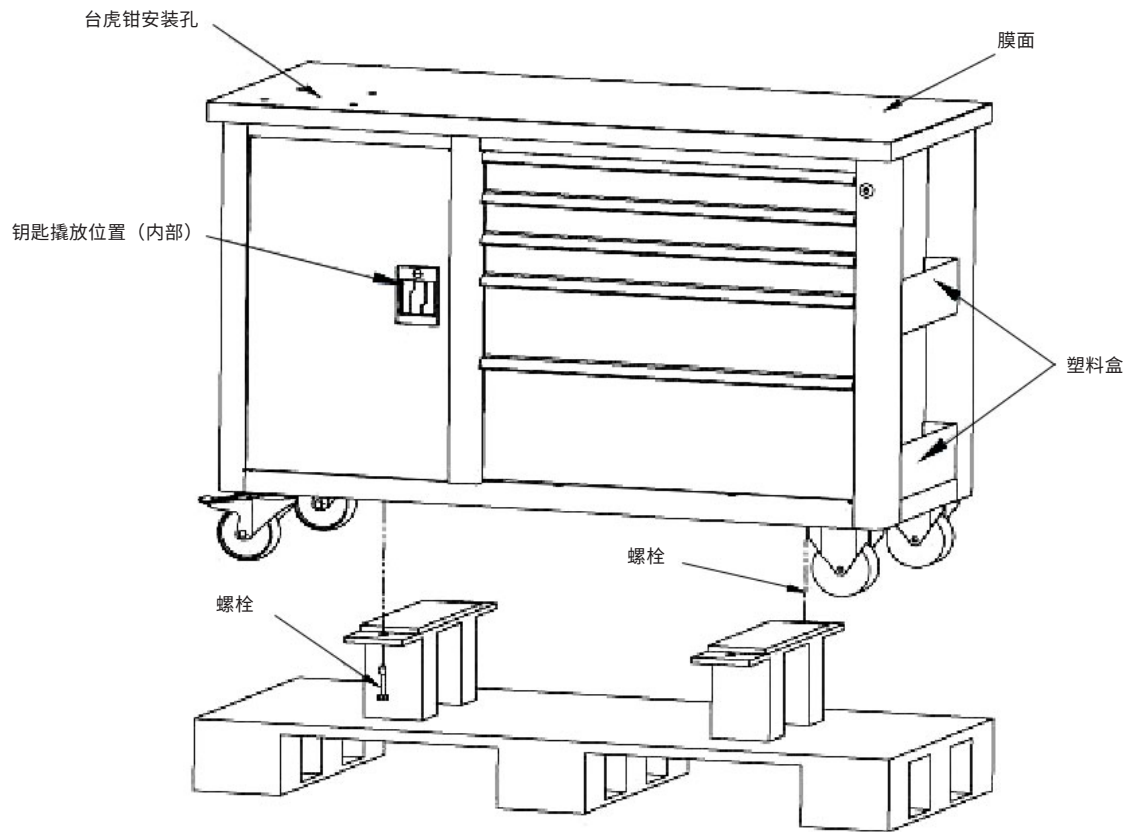


序号	世达编码	世达工具名称	数量
21	13801	12.5MM 系列 12 角套筒 10MM	1
22	13802	12.5MM 系列 12 角套筒 11MM	1
23	13603	12.5MM 系列 12 角套筒 12MM	1
24	13604	12.5MM 系列 12 角套筒 13MM	1
25	13608	12.5MM 系列 12 角套筒 17MM	1
26	13810	12.5MM 系列 12 角套筒 19MM	1
27	13811	12.5MM 系列 12 角套筒 20MM	1
28	13813	12.5MM 系列 12 角套筒 22MM	1
29	13615	12.5MM 系列 12 角套筒 24MM	1
30	13817	12.5MM 系列 12 角套筒 30MM	1
31	13818	12.5MM 系列 12 角套筒 32MM	1
32	13819	12.5MM 系列 12 角套筒 8MM	1
33	13902	12.5MM 系列专业快速脱落棘轮扳手 10"	1
34	13904	12.5MM 系列转向接杆 5"	1
35	13905	12.5MM 系列转向接杆 10"	1
36	13910	12.5MM 系列滑行杆 10"	1
37	13912	12.5MM 系列万向接头	1
38	21102	6.3MM 系列花形旋具套筒 T10	1
39	21103	6.3MM 系列花形旋具套筒 T15	1
40	21104	6.3MM 系列花形旋具套筒 T20	1
41	21105	6.3MM 系列花形旋具套筒 T25	1
42	21106	6.3MM 系列花形旋具套筒 T30	1
43	21107	6.3MM 系列花形旋具套筒 T40	1
44	21201	6.3MM 系列六角旋具套筒 3MM	1
45	21202	6.3MM 系列六角旋具套筒 4MM	1
46	21203	6.3MM 系列六角旋具套筒 5MM	1
47	21204	6.3MM 系列六角旋具套筒 6MM	1
48	21205	6.3MM 系列六角旋具套筒 8MM	1
49	21301	6.3MM 系列十字形旋具套筒 #1	1
50	21302	6.3MM 系列十字形旋具套筒 #2	1
51	21501	6.3MM 系列一字形旋具套筒 4MM	1
52	21502	6.3MM 系列一字形旋具套筒 5.5MM	1
53	21503	6.3MM 系列一字形旋具套筒 6.5MM	1
54	25102	12.5MM 系列 100MM 长花形旋具套筒 T25	1
55	25103	12.5MM 系长花形旋具套筒 T27	1

序号	世达编码	世达工具名称	数量
56	25104	12.5MM 系列长花形旋具套筒 T30	1
57	25105	12.5MM 系列 100MM 长花形旋具套筒 T40	1
58	25202	12.5MM 系列 100MM 长六角旋具套筒 5MM	1
59	25203	12.5MM 系列 100MM 长六角旋具套筒 6MM	1
60	25204	12.5MM 系列 100MM 长六角旋具套筒 7MM	1
61	25206	12.5MM 系列 100MM 长六角旋具套筒 8MM	1
62	25207	12.5MM 系列 100MM 长六角旋具套筒 12MM	1
63	25208	12.5MM 系列 100MM 长六角旋具套筒 14MM	1
64	41202	全抛光双开口扳手 8×10M	1
65	41203	全抛光双开口扳手 10x12MM	1
66	41204	全抛光双开口扳手 11x13MM	1
67	41205	全抛光双开口扳手 12x14MM	1
66	41206	全抛光双开口扳手 14x17MM	1
69	41207	全抛光双开口扳手 17x19MM	1
70	41209	全抛光双开口扳手 21x23MM	1
71	41210	全抛光双开口扳手 22x24MM	1
72	41214	全抛光双开口扳手 16x18MM	1
73	47250	沾塑欧式活动扳手 8"	1
74	61101	A 系到花形螺丝批 T10x100MM	1
75	61102	A 系列花形螺丝批 T15X100MM	1
78	61103	A 系列花形螺丝批 T20X100MM	1
77	61104	A 系列花形螺丝批 T25X100MM	1
78	61105	A 系列花形螺丝批 T27 X100MM	1
79	61106	A 系列花形螺丝批 T30 X100MM	1
80	62211	A 系列一字形螺丝批 6x38MM	1
81	62202	A 系列一字形螺丝批 3.2 x 75MM	1
82	62208	A 系杆一字形螺丝批 5X100MM	1
83	62213	A 系列一字形螺丝批 6x 150MM	1
84	61606	T 系列一字形穿心螺丝批 8X150MM	1
85	62307	A 系列十字形螺丝批 #1X75MM	1
86	62311	A 系列十字形螺丝批 #2X38MM	1
87	62312	A 系列十字形螺丝批 #2X100MM	1
88	61706	T 系列十字形穿心螺丝批 #3x150MM	1
89	71107	圆口带刃快速释大力钳 10"	1
90	71301	尖嘴带刃大力钳 6"	1



序号	世达编码	世达工具名称	数量
91	71501	铁皮大力钳 8"	1
92	71601	C 型大力钳 11"	1
93	92101	标准钣金锤 320 克	1
94	92103	曲面精整钣金锤 305 克	1
95	92203	墩型钣金衬铁	1
96	92205	弯型钣金衬铁	1
97	92207	扁型钣金衬铁	1
98	92313	木柄圆头锤 1.5 磅	1
99	92551	弯头撬棍 1.8×400MM	1
100	92603	木柄无反弹安装锤 40MM	1
101	93101	左头航空剪 10"	1
102	93102	右头航空剪 10"	1
103	93405	铝合金方管锯弓 12"	1



**说明：**

- 1) 打开包装后拆除固定底板与*板的螺栓（共两处），拆除过程中需佩戴手套且勿接触到*板周围金属边框，防止划伤。
- 2) 工作台使用前请将台面的膜撕去。
- 3) 工作台台面上四个圆孔用于安装台虎钳，推荐使用世达重型方钢台虎钳 4"（编号 70841）。
- 4) 工作台钥匙（两款，共四 S 把）放置于门板锁的锁舌上。
- 5) 工作台侧面塑料盒可拆卸。

使用注意事项：

序号	内容
1	移动工具车时，请关闭所有抽屉、防止在移动过程中导致工具车倾倒
2	移动工具车时，请使用推的方式进行，切勿拉。以便掌握移动方向
3	移动工具车时，切勿在工具车上堆置过多的工具或其他物品，防止意外情况的发生
4	在使用的过程中，请勿同时打开三个以上（含三个）抽屉，防止工具车因打开多个放满物品的抽屉造成工具车的倾倒
5	请勿在抽屉内放置超过抽屉合理载重的物件。防止抽屉变形及抽拉平滑
6	锁合工具车前，请确保抽屉完全关紧，切勿在关闭后重击抽屉，导致镀片或镀槽的损坏
7	锁合工具车前，请确保抽屉完全关紧，切勿重击锁后而未关紧的抽屉，以免损坏镀紧装置
8	移动工具车前时要松开两个方向脚轮的刹车装置。不可在未松刹车的情况下强行移动工具车。从而导致工具车上部件的损坏
9	将工具车移动指定地点进行现场维修操作时，一定要将工具车的脚轮进行锁止，不可在移动的状态下操作
10	在非必要的情况下不要随意拆卸工具车自身的零部件，例如抽屉、锁装置、台面等

清洁与维护：

为了提高使用效率，请注意定期使用轻油脂润滑工具车的滑轨（抽屉的滑轨上配有一个黑色的卡簧。若要拆除抽屉，请同时向下压左边滑轨上的簧片、向上压右边滑轨上的簧片，然后向外施力拉出抽屉，导轨润滑完后只需将抽屉插入滑轨中，且用力推至底部），建议至少一年两次，或根据使用情况增加次数。

**Product Introduction:**

- 1) With high-strength structure and powder spraying surface treatment process, the product can adapt to complex operation environment of the plant.
- 2) It is equipped with high-quality slide rails to ensure that the drawer can be opened and closed easily and smoothly when bearing the rated load.
- 3) Two sides of the drawer are provided with superposition ball bearing slide rails with excellent smoothness.
- 4) Drawers of different heights may be selected and configured as needed, thus fully meeting the needs of production sites.
- 5) The locks are advanced, all drawers can be locked with only one lock, fully meeting the needs of the production site.
- 6) It is provided with full-width aluminum alloy drawer handle with replaceable labels, and is beautiful and user-friendly.
- 7) With international advanced level locks, all drawers can be locked with only one lock to ensure the safety of articles.
- 8) With high quality casters, it has smooth advancement and good directivity, and it will not slide after fixed by braking.
- 9) The workbench surface of tool car is reinforced with stainless steel bench and density board, and the strength is higher.
- 10) Ring key structure is adopted to increase the service life of the lock.
- 11) Single heavy duty caster of the tool car can bear 120KG, and 12EMM diameter makes it easier to cross obstacles.
- 12) The left side cabinets of the tool car are used for placement of various articles, which are convenient and practical.
- 13) The drawer of the tool car can store abundant tool modules.
- 14) The static bearing of each drawer is 40KG, and that of the whole tool car is 400KG.

103-Pieces 95208S General Sheet Metal Package:

It is recommended configuration, which needs to be purchased

No.	SATA Code	Name of SATA tool	Quantity
1	3931	6" half round bastard cut file	1
2	3939	6" half round smooth cut file	1
3	3971	6" medium thread round file	1
4	3991	6" medium thread triangle file	1
5	9105	9-pieces lengthened ball point Allen wrench package	1
6	9408	Pliers for removing plastic rivet	1
7	11304	6.3MM series six-point sockets 5MM	1
8	11305	6.3MM series six-point sockets 5.5MM	1
9	11306	6.3MM series six-point sockets 6MM	1
10	11307	6.3MM series six-point sockets 7MM	1
11	11308	6.3MM series six-point sockets 8MM	1
12	11309	6.3MM series six-point sockets 9MM	1
13	11310	6.3MM series six-point sockets 10MM	1
14	11901	6.3MM series 5" quick release ratchet wrench	1
15	11903	6.3MM series wobble socket 2"	1
16	11904	6.3MM series wobble socket 4"	1
17	11910	6.3MM series sliding bar 4"	1
18	11911	6.3 MM series screwdriver handle	1
19	11912	6.3 MM series universal joint	1
20	13408	12.5MM long hexagon socket 17MM	1



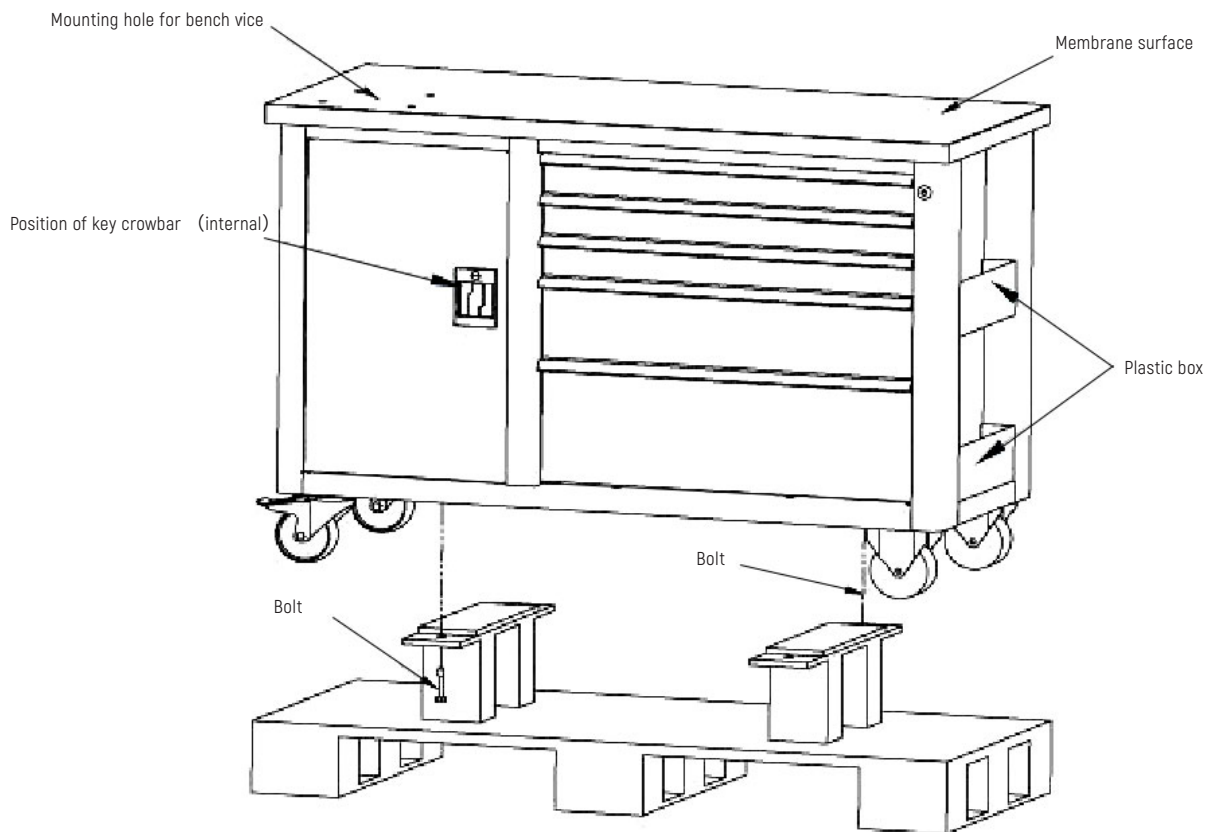
No.	SATA Code	Name of SATA tool	Quantity
21	13801	12.5 MM series twelve-point sockets 10MM	1
22	13802	12.5 MM series twelve-point sockets 11MM	1
23	13603	12.5 MM series twelve-point sockets 12MM	1
24	13604	12.5 MM series twelve-point sockets 13MM	1
25	13608	12.5 MM series twelve-point sockets 17MM	1
26	13810	12.5 MM series twelve-point sockets 19MM	1
27	13811	12.5 MM series twelve-point sockets 20MM	1
28	13813	12.5 MM series twelve-point sockets 22MM	1
29	13615	12.5 MM series twelve-point sockets 24MM	1
30	13817	12.5 MM series twelve-point sockets 30MM	1
31	13818	12.5 MM series twelve-point sockets 32MM	1
32	13819	12.5 MM series twelve-point sockets 8MM	1
33	13902	12.5MM series 10" quick release ratchet wrench	1
34	13904	12.5MM series wobble socket 5"	1
35	13905	12.5MM series wobble socket 10"	1
36	13910	12.5MM series sliding bar 10"	1
37	13912	12.5 MM series universal joint	1
38	21102	6.3 MM series flower shape screwdriver socket T10	1
39	21103	6.3 MM series flower shape screwdriver socket T15	1
40	21104	6.3 MM series flower shape screwdriver socket T20	1
41	21105	6.3 MM series flower shape screwdriver socket T25	1
42	21106	6.3 MM series flower shape screwdriver socket T30	1
43	21107	6.3 MM series flower shape screwdriver socket T40	1
44	21201	6.3 MM series hexagon screwdriver socket 3MM	1
45	21202	6.3 MM series hexagon screwdriver socket 4MM	1
46	21203	6.3 MM series hexagon screwdriver socket 5MM	1
47	21204	6.3 MM series hexagon screwdriver socket 6MM	1
48	21205	6.3 MM series hexagon screwdriver socket 8MM	1
49	21301	6.3 MM series #1 cross screwdriver socket	1
50	21302	6.3 MM series #2 cross screwdriver socket	1
51	21501	6.3 MM series straight screwdriver socket 4MM	1
52	21502	6.3 MM series straight screwdriver socket 5.5MM	1
53	21503	6.3 MM series straight screwdriver socket 6.5MM	1
54	25102	12.5 MM series 100MM long flower shape screwdriver socket T25	1
55	25103	12.5 MM series long flower shape screwdriver socket T27	1



No.	SATA Code	Name of SATA tool	Quantity
56	25104	12.5 MM series long flower shape screwdriver socket T30	1
57	25105	12.5 MM series 100MM long flower shape screwdriver socket T40	1
58	25202	12.5 MM series 100MM long hexagon screwdriver socket 5MM	1
59	25203	12.5 MM series 100MM long hexagon screwdriver socket 6MM	1
60	25204	12.5 MM series 100MM long hexagon screwdriver socket 7MM	1
61	25206	12.5 MM series 100MM long hexagon screwdriver socket 8MM	1
62	25207	12.5 MM series 100MM long hexagon screwdriver socket 12MM	1
63	25208	12.5 MM series 100MM long hexagon screwdriver socket 14MM	1
64	41202	Full-polished double open end wrench 8 × 10M	1
65	41203	Full-polished double open end wrench 10 × 12MM	1
66	41204	Full-polished double open end wrench 11 × 13MM	1
67	41205	Full-polished double open end wrench 12 × 14MM	1
66	41206	Full-polished double open end wrench 14 × 17MM	1
69	41207	Full-polished double open end wrench 17 × 19MM	1
70	41209	Full-polished double open end wrench 21 × 23MM	1
71	41210	Full-polished double open end wrench 22 × 24MM	1
72	41214	Full-polished double open end wrench 16 × 18MM	1
73	47250	Plastic-dipped adjustable wrench 8"	1
74	61101	A series flower shape screwdriver T10 × 100MM	1
75	61102	A series flower shape screwdriver T15 × 100MM	1
78	61103	A series flower shape screwdriver T20 × 100MM	1
77	61104	A series flower shape screwdriver T25 × 100MM	1
78	61105	A series flower shape screwdriver T27 × 100MM	1
79	61106	A series flower shape screwdriver T30 × 100MM	1
80	62211	A series straight screwdriver 6 × 38MM	1
81	62202	A series straight screwdriver 3.2 × 75MM	1
82	62208	A series straight screwdriver 5 × 100MM	1
83	62213	A series straight screwdriver 6 × 150MM	1
84	61606	T series straight threading screwdriver 8 × 150MM	1
85	62307	A series cross screwdriver #1 × 75MM	1
86	62311	A series cross screwdriver #2 × 38MM	1
87	62312	A series cross screwdriver #2 × 100MM	1
88	61706	T series cross threading screwdriver #3 × 150MM	1
89	71107	10" round quick release locking pliers with blade	1
90	71301	6" nipper locking pliers with blade	1



No.	SATA Code	Name of SATA tool	Quantity
91	71501	8" iron locking pliers	1
92	71601	C shape locking pliers 11"	1
93	92101	Standard sheet metal hammer 320g	1
94	92103	Surface finishing sheet metal hammer 305g	1
95	92203	Pier sheet metal lining iron	1
96	92205	Bending sheet metal lining iron	1
97	92207	Flat sheet metal lining iron	1
98	92313	Wooden handle ball hammer 1.5 pound	1
99	92551	Elbow crowbar 1.8 × 400MM	1
100	92603	Dead blow hammer with wooden handle 40MM	1
101	93101	10" left cut aviation snips	1
102	93102	10" right cut aviation snips	1
103	93405	Aluminium alloy hacksaw frame 12"	1





Notes:

- 1) Remove the bolts (two points in total) fixing the bottom plate and * plate after opening the package, wear gloves during the removal and do not touch the metal frame around the * plate to prevent scratches.
- 2) Tear off the membrane of the workbench before using.
- 3) The four circular holes on the workbench are used for installation of bench vice, and the SATA heavy duty square steel bench vice 4" (model 70841) is recommended.
- 4) The key of workbench (two types, four in total) is put on the spring bolt of door lock.
- 5) The plastic box beside the workbench is detachable.

Precautions:

No.	Contents
1	When moving the tool cart, please close all drawers to prevent the tool car from toppling over
2	Push the tool car instead of pulling. In order to control the direction of movement
3	When moving the tool car, do not put too much tools or other articles on the car to prevent unexpected circumstances
4	During the operation process, do not open more than three (including 3) drawers at the same time, to prevent the tipping of the tool car caused by opening drawers full of articles
5	Do not put the articles beyond reasonable load of the drawer. Prevent drawer deformation and ensure smoothly drawing
6	Before locking the tool car, make sure the drawers are completely closed. Do not slam the drawer after closing, resulting in damage of the plating pieces and plating tanks
7	Before locking the tool car, make sure the drawers are completely closed, do not slam the drawers which are not completely closed after locked, so as not to damage the plating device
8	Before moving tool car, loosen the break device of two universal casters. Do not forcibly move the tool car without loosening the break. which may cause damage to components of tool car
9	When the tool car is moved to the designated place for on-site maintenance, the casters of the tool car must be locked and the car shall be operated under the moving state
10	Do not disassemble parts and components such as drawers, lock devices, workbench of the tool car if it is not necessary

Cleaning and Maintenance:

To improve the service efficiency, please regular lubricate the sliding rails of the tool car with light grease (the sliding rails of drawers are equipped with a black snap spring. When remove a drawer, press down the reed on the left sliding rail and up the reed on the right sliding rail at the same time, then apply a force to pull out the drawer, after the sliding rail lubrication, inset the drawer to sliding rail and push it to the bottom) , it is suggested to lubricate at least twice a year, or increase the times as appreciate.

**Produkteinführung:**

- 1) Hochfester struktureller Entwurf und Pulveroberflächenbehandlungsprozess, die sich an die kompliziertere Arbeitsumgebung der Fabrik anpassen können.
- 2) Es ist mit hochwertigen Gleitschienen ausgestattet, um sicherzustellen, dass die Schublade bei Nennlast problemlos geöffnet und geschlossen werden kann.
- 3) Überlagerte Kugellager gleiten auf beiden Seiten der Schublade für eine hervorragende Glätte.
- 4) Wählen Sie je nach Bedarf Schubladen mit unterschiedlichen Höhen aus, um die Anforderungen des Produktionsstandorts zu erfüllen.
- 5) Das Schloss ist vorgerückt, und alle Schubladen können mit nur einem Schloss verriegelt werden, was den Anforderungen des Produktionsstandorts voll erfüllt.
- 6) Der Schubladengriff aus Aluminiumlegierung in voller Breite und austauschbarer Aufkleber, schön, bequem und benutzerfreundlich.
- 7) Mit internationalen Hochleistungsschlössern können alle Schubladen mit nur einem Schloss verschlossen werden, um die Sicherheit der Gegenstände zu gewährleisten.
- 8) Hochwertige Rollen, reibungslose Umsetzung, gute Spurtreue, kein Durchrutschen nach dem Feststellen der Bremsen.
- 9) Die Arbeitsfläche des Werkzeugwagens ist mit Arbeitsplatten aus Edelstahl und Dichtungsplatte für eine höhere Festigkeit verfestigt.
- 10) Die Verwendung einer Ringschlüsselstruktur verlängert die Lebensdauer des Schlosses.
- 11) Die Schwerlastrollen des Werkzeugwagens mit einer einzigen Tragfähigkeit von 120 kg sind leichter zu überqueren als der Durchmesser von 12 mm.
- 12) Der linke Seitenschrank des Werkzeugwagens dient zum bequemen und praktischen Auffinden verschiedener Gegenstände.
- 13) In der Schublade des Werkzeugwagens kann eine Vielzahl von Werkzeugmodulen abgelegt werden.
- 14) Die Schublade hat eine statische Einzeltragfähigkeit von 40 kg und die statische Gesamttragfähigkeit des Werkzeugwagens beträgt 400 kg.

95208S 103 Teile Universal-Blechsatz:

Empfohlene Konfiguration, muss separat erworben werden

Seriennummer	Sata-Code	Name des Sata-Werkzeugs	Menge
1	3931	Dickzahnhalbkreisfeile 6 "	1
2	3939	Feinzahnhalbkreisfeile 6 "	1
3	3971	Mittlere Zahnkreisfeile 6 "	1
4	3991	Mittlere Zahndreieckfeile le 6 "	1
5	9105	9-teiliger verlängerter Kugelkopf-Inbusschlüsselsatz	1
6	9408	Spezialzangen zum Entfernen von Kunststoffnieten	1
7	11304	6.3MM Serie 6 Winkelhülse 5MM	1
8	11305	6.3MM Serie 6 Winkelhülse 5.5MM	1
9	11306	6.3MM Serie 6 Winkelhülse 6MM	1
10	11307	6.3MM Serie 6 Winkelhülse 7MM	1
11	11308	6.3MM Serie 6 Winkelhülse 8MM	1
12	11309	6.3MM Serie 6 Winkelhülse 9MM	1
13	11310	6.3MM Serie 6 Winkelhülse 10MM	1
14	11901	6,3MM Serie Schnellwechsellratschenschlüssel 5 "	1
15	11903	6.3 MM Serie Lenksäule 2 "	1
16	11904	6.3 MM Serie Lenksäule 4 "	1
17	11910	6.3 MM Serie Gleitstange 4 "	1
18	11911	6.3MM Serie Drehgriff	1
19	11912	6.3MM Serie Universalgelenk	1
20	13408	12.5MM Serie Langer Sechskant-Steckschlüssel 17MM	1

**SATA®**

95207/95208

中文

EN

DE

RU

KO

PT

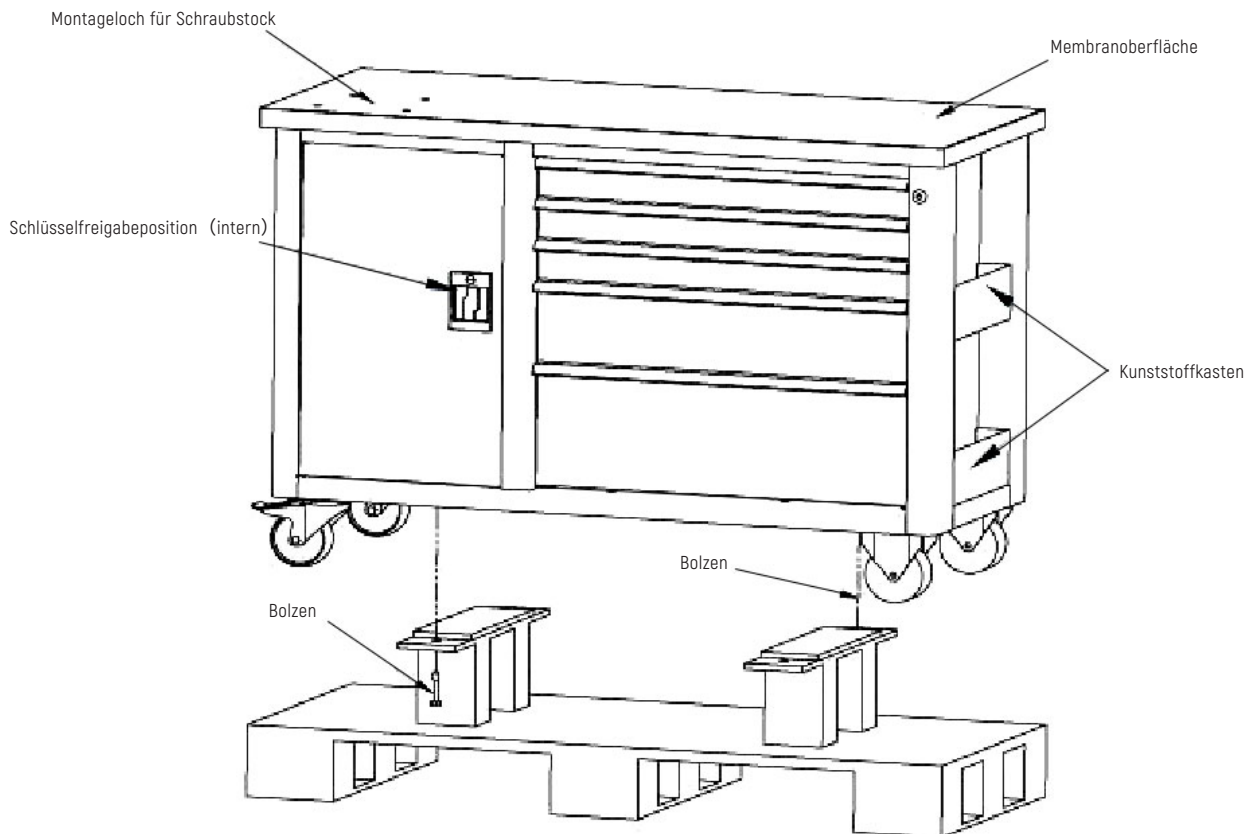
JA

ES

Seriennummer	Sata-Code	Name des Sata-Werkzeugs	Menge
21	13801	12.5MM Serie Zwölfkant-Steckschlüssel 10MM	1
22	13802	12.5MM Serie Zwölfkant-Steckschlüssel 11MM	1
23	13603	12.5MM Serie Zwölfkant-Steckschlüssel 12MM	1
24	13604	12.5MM Serie Zwölfkant-Steckschlüssel 13MM	1
25	13608	12.5MM Serie Zwölfkant-Steckschlüssel 17MM	1
26	13810	12.5MM Serie Zwölfkant-Steckschlüssel 19MM	1
27	13811	12.5MM Serie Zwölfkant-Steckschlüssel 20MM	1
28	13813	12.5MM Serie Zwölfkant-Steckschlüssel 22MM	1
29	13615	12.5MM Serie Zwölfkant-Steckschlüssel 24MM	1
30	13817	12.5MM Serie Zwölfkant-Steckschlüssel 30MM	1
31	13818	12.5MM Serie Zwölfkant-Steckschlüssel 32MM	1
32	13819	12.5MM Serie Zwölfkant-Steckschlüssel 8MM	1
33	13902	12.5MM Serie professioneller Ratschenschlüssel mit schnellem Auswurf, 10"	1
34	13904	12.5 MM Serie Lenksäule 5 "	1
35	13905	12.5 MM Serie Lenksäule 10 "	1
36	13910	12.5 MM Serie Gleitstange 10 "	1
37	13912	12.5MM Serie Universalgelenk	1
38	21102	6.3MM Serie Philips-Schraubendreher-Steckschlüssel, T10	1
39	21103	6.3MM Serie Philips-Schraubendreher-Steckschlüssel, T15	1
40	21104	6.3MM Serie Philips-Schraubendreher-Steckschlüssel, T20	1
41	21105	6.3MM Serie Philips-Schlitzschraubendreher-Steckschlüssel, T25	1
42	21106	6.3MM Serie Philips-Schraubendreher-Steckschlüssel, T30	1
43	21107	6.3MM Serie Philips-Schraubendreher-Steckschlüssel, T40	1
44	21201	6.3MM Serie Sechskantschraubendreher-Steckschlüssel 3MM	1
45	21202	6.3MM Serie Sechskantschraubendreher-Steckschlüssel 4MM	1
46	21203	6.3MM Serie Sechskantschraubendreher-Steckschlüssel 5MM	1
47	21204	6.3MM Serie Sechskantschraubendreher-Steckschlüssel 6MM	1
48	21205	6.3MM Serie Sechskantschraubendreher-Steckschlüssel 8MM	1
49	21301	6.3MM Serie Kreuzschlitzschraubendreher-Steckschlüssel #1	1
50	21302	6.3MM Serie Kreuzschlitzschraubendreher-Steckschlüssel #2	1
51	21501	6.3MM Serie Schlitzschraubendreher-Steckschlüssel 4MM	1
52	21502	6.3MM Serie Schlitzschraubendreher-Steckschlüssel 5.5MM	1
53	21503	6.3MM Serie Schlitzschraubendreher-Steckschlüssel 6.5MM	1
54	25102	12.5MM Serie 100MM langer Philips-Schraubendreher-Steckschlüssel T25	1
55	25103	12.5 MM Serie langer Philips-Schraubendreher-Steckschlüssel T27	1

Seriennummer	Sata-Code	Name des Sata-Werkzeugs	Menge
56	25104	12.5 MM Serie langer Philips-Schraubendreher-Steckschlüssel T30	1
57	25105	12.5 MM Serie 100MM langer Philips-Schraubendreher-Steckschlüssel T40	1
58	25202	12.5 MM Serie 100MM langer Sechskantschraubendreher-Steckschlüssel 5MM	1
59	25203	12.5MM Serie 100MM langer Sechskantschraubendreher-Steckschlüssel 6MM	1
60	25204	12.5MM Serie 100MM langer Sechskantschraubendreher-Steckschlüssel 7MM	1
61	25206	12.5MM Serie 100MM langer Sechskantschraubendreher-Steckschlüssel 8MM	1
62	25207	12.5MM Serie 100MM langer Sechskantschraubendreher-Steckschlüssel 12MM	1
63	25208	12.5MM Serie 100MM langer Sechskantschraubendreher-Steckschlüssel 6MM	1
64	41202	Komplett polierter Doppelmaulschlüssel 8 x 10M	1
65	41203	Komplett polierter Doppelmaulschlüssel 10x12MM	1
66	41204	Komplett polierter Doppelmaulschlüssel 11x13MM	1
67	41205	Komplett polierter Doppelmaulschlüssel 12x14MM	1
66	41206	Komplett polierter Doppelmaulschlüssel 14x17MM	1
69	41207	Komplett polierter Doppelmaulschlüssel 17x19MM	1
70	41209	Komplett polierter Doppelmaulschlüssel 21x23MM	1
71	41210	Komplett polierter Doppelmaulschlüssel 22x24MM	1
72	41214	Komplett polierter Doppelmaulschlüssel 16x18MM	1
73	47250	Europäischen verstellbaren Schraubenschlüssel 8 °gebeizt	1
74	61101	Serie A Philips-Schlitzschraubendreher T10x100MM	1
75	61102	Serie A Philips-Schlitzschraubendreher T15X100MM	1
78	61103	Serie A Philips-Schlitzschraubendreher T20X100MM	1
77	61104	Serie A Philips-Schlitzschraubendreher T25X100MM	1
78	61105	Serie A Philips-Schlitzschraubendreher T27 X100MM	1
79	61106	Serie A Philips-Schlitzschraubendreher T30 X100MM	1
80	62211	Serie A Schlitzschraubendreher 6x38MM	1
81	62202	Serie A Schlitzschraubendreher 3.2 x 75 MM	1
82	62208	Serie A Schlitzschraubendreher 5X100MM	1
83	62213	Serie A Schlitzschraubendreher 6x 150MM	1
84	61606	Serie T Schlitzschraubendreher mit durchgehendem Zapfen 8X150MM	1
85	62307	Serie A Kreuzschraubendreher der Serie # 1X75MM	1
86	62311	Serie A Kreuzschraubendreher der Serie # 2X38MM	1
87	62312	Serie A Kreuzschraubendreher der Serie # 2X100MM	1
88	61706	Serie T Schlitzschraubendreher mit durchgehendem Zapfen # 3x150MM	1
89	71107	Schnellspannzange. Rundhals mit Klinge 10 °	1
90	71301	Spitzzange mit Klinge 6 °	1

Seriennummer	Sata-Code	Name des Sata-Werkzeugs	Menge
91	71501	Hochleistungseisenzange 8 "	1
92	71601	C-Hochleistungszange 11 "	1
93	92101	Schwerer Blechhammer 320 Gramm	1
94	92103	Blechhammer mit Oberflächenveredelung 305g	1
95	92203	Pierförmiges Blechfutter	1
96	92205	Gebogenes Blechfutter	1
97	92207	Flaches Blechfutter	1
98	92313	Rundhammer mit Holzgriff 1.5 lbs	1
99	92551	Brechstange des Ellenbogens 1.8 × 400 MM	1
100	92603	Holzgriff ohne Rückprallhammer 40MM	1
101	93101	Luftschere mit linkem Kopf 10 "	1
102	93102	Luftschere mit rechtem Kopf 10 "	1
103	93405	Vierkantsägebogen 12 " aus Aluminium	1



Beschreibung:

- 1) Entfernen Sie nach dem Öffnen der Verpackung die Schrauben, mit denen die Bodenplatte und die * Platte befestigt sind (insgesamt zwei) . Tragen Sie beim Entfernen Handschuhe und berühren Sie nicht den Metallrahmen um die * Platte, um Kratzer zu vermeiden.
- 2) Bitte reißen Sie die Membran des Tisches ab, bevor Sie die Werkbank benutzen.
- 3) Für die Montage des Schraubstocks werden vier runde Löcher in der Tischplatte verwendet. Es wird empfohlen, den Sata Schwerstahlplattform Vise 4" (Nr. 70841) zu verwenden.
- 4) Die Werkbankschlüssel (zwei Modelle, insgesamt vier) befinden sich auf der Schlosszunge des Türschlosses.
- 5) Die Kunststoffbox an der Seite der Werkbank ist abnehmbar.

Vorsichtsmaßnahmen für den Gebrauch:

Seriennummer	Inhalt
1	Schließen Sie beim Bewegen des Werkzeugwagens alle Schubladen, damit der Werkzeugwagen beim Bewegen nicht umkippt.
2	Verwenden Sie beim Bewegen des Werkzeugwagens die Schiebemethode, ziehen Sie nicht. Um die Bewegungsrichtung zu steuern
3	Stapeln Sie beim Bewegen des Werkzeugwagens nicht zu viele Werkzeuge oder andere Gegenstände auf dem Werkzeugwagen, um Unfälle zu vermeiden.
4	Öffnen Sie während des Gebrauchs nicht mehr als drei Schubladen (einschließlich drei) gleichzeitig, um ein Umkippen des Werkzeugwagens zu verhindern, da mehrere Schubladen mit Gegenständen geöffnet werden müssen.
5	Stellen Sie keine Gegenstände in die Schublade, die die angemessene Belastung der Schublade überschreiten. Stoppen Sie die Schubladenverformung und ziehen Sie glatt
6	Stellen Sie sicher, dass die Schublade vor dem Verriegelung des Werkzeugwagens vollständig geschlossen ist und schlagen Sie nach dem Schließen nicht auf die Schublade, da dies die Beschichtung oder den Beschichtungstank beschädigt.
7	Stellen Sie sicher, dass die Schublade vor dem Verriegelung des Werkzeugwagens vollständig geschlossen ist, und schlagen Sie nicht auf die Schublade, die nach dem Verriegeln nicht verriegelt ist, um eine Beschädigung des Beschichtungsgeräts zu vermeiden.
8	Lösen Sie die Bremsen der beiden Universalrollen, wenn Sie das Werkzeug bewegen. Bewegen Sie den Werkzeugwagen nicht gewaltsam, ohne zu bremsen. Dadurch werden die Teile auf dem Werkzeugwagen beschädigt
9	Stellen Sie sicher, dass Sie die Rollen des Werkzeugwagens blockieren und nicht in bewegtem Zustand arbeiten, wenn Sie den Werkzeugwagen an den Ort für Wartungsarbeiten vor Ort bringen.
10	Zerlegen Sie nicht die Teile des Werkzeugwagens selbst, wie Schubladen, Schlösser, Arbeitsplatten usw., wenn dies nicht erforderlich ist.

Reinigung und Wartung:

Um die Gebrauchseffizienz zu verbessern, achten Sie bitte darauf, die Gleitschiene des Werkzeugwagens regelmäßig mit dem leichten Fett zu schmieren (Die Schubladengleitschiene ist mit einem schwarzen Sicherungsring ausgestattet) . Um die Schublade herauszunehmen, drücken Sie auf das Blatt auf der linken Schiene und auf das Blatt auf der rechten Schiene. Ziehen Sie dann die Schublade nach außen. Nachdem die Schiene geschmiert ist, setzen Sie die Schublade einfach in die Schiene ein. Und drücken Sie fest nach unten) , es wird empfohlen, mindestens zweimal im Jahr, oder die Anzahl der Male je nach Verwendung zu erhöhen.

Описание продукции:

- 1) Высокопрочный структурный дизайн и технология опыливания на поверхности, могут адаптироваться к более сложной рабочей среде завода.
- 2) Установленные высококачественные направляющие обеспечивают легкое открывание выдвижного ящика при воздействии номинальной нагрузки.
- 3) Две стороны ящика снабжены наложенными шариковыми направляющими, чтобы обеспечить превосходную гладкость.
- 4) В соответствии с потребностями, вы можете свободно выбирать ящики разной высоты для полного удовлетворения потребностей производственной площадки.
- 5) Замок выдвинут, и все ящики могут быть заперты только одним замком, который полностью соответствует потребностям производственной площадки.
- 6) Широкая ручка ящика из алюминиевого сплава и сменная этикетка, красивая и удобная.
- 7) Применяются замки международного продвинутого уровня, все ящики могут быть заперты только одним замком, чтобы обеспечить безопасность предметов.
- 8) Высококачественное рояльное колесо, движение плавное, направленность хорошая, после закрепления тормозом не будет скользить.
- 9) Для рабочей поверхности тележки для инструментов применяется поверхность из нержавеющей стали и древесноволокнистая плита, прочность более высокая.
- 10) Применять кольцевую конструкцию ключа для продления срок службы замка.
- 11) Тяжелое колесо тележки для инструментов, выдерживающее нагрузку 120 кг, колесо диаметром 125 мм легче преодолевают препятствия.
- 12) Левый боковой ящик тележки для инструментов используется для размещения различных предметов, удобный и практичный.
- 13) В ящике тележки для инструментов можно хранить широкий ассортимент модулей инструментов.
- 14) Один ящик имеет статическую грузоподъемность 40 кг, а общая статическая грузоподъемность тележки для тележка инструментов составляет 400 кг.

95208S Универсальный комплект из листового металла из 103 деталей:

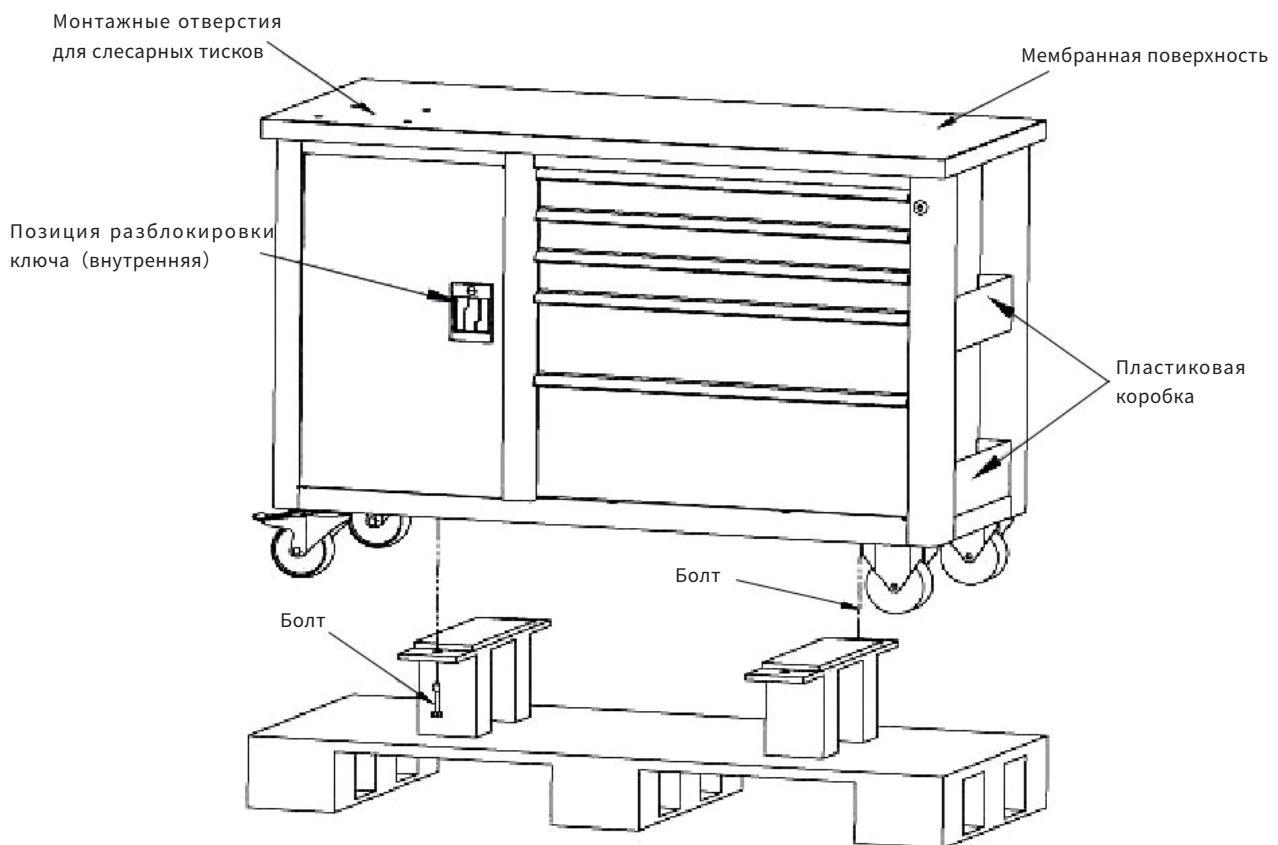
Рекомендуемая конфигурация, необходимо приобрести отдельно

№ п/п	Номер SATA	Наименование инструмента STAT	Кол-во
1	3931	Крупнозубый полукруглый напильник 6"	1
2	3939	Мелкозубый полукруглый напильник 6"	1
3	3971	Среднезубый круглый напильник 6"	1
4	3991	Среднезубый треугольный напильник 6"	1
5	9105	Набор шестигранный торцевой гаечный ключ с длинной шаровой опорой из 9 деталей	1
6	9408	Пластиковые специальные клещи для удаления заклепок	1
7	11304	Шестигранная муфта 5 мм серии 6.3 мм	1
8	11305	Шестигранная муфта 5,5 мм серии 6.3 мм	1
9	11306	Шестигранная муфта 6 мм серии 6.3 мм	1
10	11307	Шестигранная муфта 7 мм серии 6.3 мм	1
11	11308	Шестигранная муфта 8 мм серии 6.3 мм	1
12	11309	Шестигранная муфта 9 мм серии 6.3 мм	1
13	11310	Шестигранная муфта 10 мм серии 6.3 мм	1
14	11901	Быстродействующий гаечный ключ с трещоткой 5" серии 6.3 мм	1
15	11903	Поворотный соединительный стержень 2" серии 6.3 мм	1
16	11904	Поворотный соединительный стержень 4" серии 6.3 мм	1
17	11910	Скользящий стержень 4" серии 6.3 мм	1

№ п/п	Номер SATA	Наименование инструмента STAT	Кол-во
18	11911	Поворотная ручка серии 6.3 мм	1
19	11912	Карданный шарнир серии 6.3 мм	1
20	13408	Шестигранная длинная муфта 17 мм серии 12.5 мм	1
21	13801	Двенадцатигранная муфта 10 мм серии 12.5 мм	1
22	13802	Двенадцатигранная муфта 11 мм серии 12.5 мм	1
23	13603	Двенадцатигранная муфта 12 мм серии 12.5 мм	1
24	13604	Двенадцатигранная муфта 13 мм серии 12.5 мм	1
25	13608	Двенадцатигранная муфта 17 мм серии 12.5 мм	1
26	13810	Двенадцатигранная муфта 19 мм серии 12.5 мм	1
27	13811	Двенадцатигранная муфта 20 мм серии 12.5 мм	1
28	13813	Двенадцатигранная муфта 22 мм серии 12.5 мм	1
29	13615	Двенадцатигранная муфта 24 мм серии 12.5 мм	1
30	13817	Двенадцатигранная муфта 30 мм серии 12.5 мм	1
31	13818	Двенадцатигранная муфта 32 мм серии 12.5 мм	1
32	13819	Двенадцатигранная муфта 8 мм серии 12.5 мм	1
33	13902	Профессиональный быстродействующий гаечный ключ с трещоткой 10 " серии 12.5 мм	1
34	13904	Поворотный соединительный стержень 5" серии 12.5 мм	1
35	13905	Поворотный соединительный стержень 10" серии 12.5 мм	1
36	13910	Скользкий стержень 10 " серии 12.5 мм	1
37	13912	Карданный шарнир серии 12.5 мм	1
38	21102	Муфта отвертки в форме цветка T10 серии 6.3 мм	1
39	21103	Муфта отвертки в форме цветка T15 серии 6.3 мм	1
40	21104	Муфта отвертки в форме цветка T20 серии 6.3 мм	1
41	21105	Муфта отвертки в форме цветка T25 серии 6.3 мм	1
42	21106	Муфта отвертки в форме цветка T30 серии 6.3 мм	1
43	21107	Муфта отвертки в форме цветка T40 серии 6.3 мм	1
44	21201	Муфта шестигранной отвертки 3 мм серии 6.3 мм	1
45	21202	Муфта шестигранной отвертки 4 мм серии 6.3 мм	1
46	21203	Муфта шестигранной отвертки 5 мм серии 6.3 мм	1
47	21204	Муфта шестигранной отвертки 6 мм серии 6.3 мм	1
48	21205	Муфта шестигранной отвертки 8 мм серии 6.3 мм	1
49	21301	Муфта крестовой отвертки #1 серии 6.3 мм	1
50	21302	Муфта крестовой отвертки #2 серии 6.3 мм	1
51	21501	Муфта отвертки с плоским шлицом 4 мм серии 6.3 мм	1
52	21502	Муфта отвертки с плоским шлицом 5.5 мм серии 6.3 мм	1

№ п/п	Номер SATA	Наименование инструмента STAT	Кол-во
53	21503	Муфта отвертки с плоским шлицом 6.5 мм серии 6.3 мм	1
54	25102	Длинная муфта отвертки в форме цветка 100 мм T25 серии 12.5 мм	1
55	25103	Длинная муфта отвертки в форме цветка T27 серии 12.5 мм	1
56	25104	Длинная муфта отвертки в форме цветка T30 серии 12.5 мм	1
57	25105	Длинная муфта отвертки в форме цветка 100 мм T40 серии 12.5 мм	1
58	25202	Длинная муфта 5 мм шестигранной отвертки 100 мм серии 12.5 мм	1
59	25203	Длинная муфта 6 мм шестигранной отвертки 100 мм серии 12.5 мм	1
60	25204	Длинная муфта 7 мм шестигранной отвертки 100 мм серии 12.5 мм	1
61	25206	Длинная муфта 8 мм шестигранной отвертки 100 мм серии 12.5 мм	1
62	25207	Длинная муфта 12 мм шестигранной отвертки 100 мм серии 12.5 мм	1
63	25208	Длинная муфта 14 мм шестигранной отвертки 100 мм серии 12.5 мм	1
64	41202	Полированный гаечный ключ с двойным открытым зевом 8x10 мм	1
65	41203	Полированный гаечный ключ с двойным открытым зевом 10x12 мм	1
66	41204	Полированный гаечный ключ с двойным открытым зевом 11x13 мм	1
67	41205	Полированный гаечный ключ с двойным открытым зевом 12x14 мм	1
66	41206	Полированный гаечный ключ с двойным открытым зевом 14x17 мм	1
69	41207	Полированный гаечный ключ с двойным открытым зевом 17x19 мм	1
70	41209	Полированный гаечный ключ с двойным открытым зевом 21x23 мм	1
71	41210	Полированный гаечный ключ с двойным открытым зевом 22x24 мм	1
72	41214	Полированный гаечный ключ с двойным открытым зевом 16x18 мм	1
73	47250	Европейский разводной ключ с пластиковым погружением 8 "	1
74	61101	Отвертка в форме цветка T10x100 мм серии A	1
75	61102	Отвертка в форме цветка T15x100 мм серии A	1
78	61103	Отвертка в форме цветка T20x100 мм серии A	1
77	61104	Отвертка в форме цветка T25x100 мм серии A	1
78	61105	Отвертка в форме цветка T27x100 мм серии A	1
79	61106	Отвертка в форме цветка T30x100 мм серии A	1
80	62211	Отвертка с плоским шлицом 6x38 мм серии A	1
81	62202	Отвертка с плоским шлицом 3,2x75 мм серии A	1
82	62208	Отвертка с плоским шлицом 5x100 мм серии A	1
83	62213	Отвертка с плоским шлицом 6x150 мм серии A	1
84	61606	Пустая отвертка с плоским шлицом 8x150 мм серии T	1
85	62307	Крестовая отвертка # 1X75 мм серии A	1
86	62311	Крестовая отвертка # 2X38 мм серии A	1
87	62312	Крестовая отвертка # 2X100 мм серии A	1

№ п/п	Номер SATA	Наименование инструмента STAT	Кол-во
88	61706	Пустая крестовая отвертка #3x150 мм серии T	1
89	71107	Быстроотпускающие мощные круглогубцы с лезвием 10 °	1
90	71301	Мощные острогубцы с лезвием 6 °	1
91	71501	Мощные клещи для резки жести 8 °	1
92	71601	Мощные клещи типа C 11 °	1
93	92101	Стандартный медницкий молоток 320 г	1
94	92103	Отделочный медницкий молоток с кривой поверхностью 305 г	1
95	92203	Столбчатый железный вкладыш листового металла	1
96	92205	Изогнутый железный вкладыш листового металла	1
97	92207	Плоский железный вкладыш листового металла	1
98	92313	Круглый молоток с деревянной ручкой 1.5 фунт	1
99	92551	Лом с отводом 1.8 × 400 мм	1
100	92603	Молоток установки без отскока с деревянной ручкой 40 мм	1
101	93101	Авиационные ножницы с левым кривым горлышком 10 °	1
102	93102	Авиационные ножницы с правым кривым горлышком 10 °	1
103	93405	Ножовка из алюминиевых сплавов с конструкцией квадратной трубы 12 °	1



Описание :

- 1) После вскрытия упаковки удалите болты (всего два места), которые фиксируют нижнюю пластину и поддон, во время удаления необходимо носить перчатки и не прикасаться к металлической раме вокруг поддона, чтобы предотвратить царапины.
- 2) Пожалуйста, оторвите мембрану стола перед использованием верстака.
- 3) Четыре круглых отверстия на верстаке для установки слесарных тисков, рекомендуется использовать тяжелые слесарные тиски с конструкцией квадратной стали STAT 4* (№ 70841).
- 4) Ключи для верстака (две модели, всего четыре шт.) расположены на язычке замка дверного замка.
- 5) Пластиковая коробка на боковой стороне верстака является съемной.

Меры предосторожности при использовании:

№ п/п	Содержание
1	При перемещении тележки для инструментов, пожалуйста, закройте все ящики, чтобы предотвратить опрокидывание тележки для инструментов во время перемещения.
2	При передвижении тележки для инструментов, использовать способ толкания, не тянуть, чтобы овладеть направлением движения.
3	При перемещении тележки для инструментов не кладите слишком много инструментов или других предметов на тележку для инструментов, чтобы предотвратить несчастные случаи.
4	Во время использования не открывайте более трех ящиков (включая три) одновременно, чтобы предотвратить опрокидывание тележки для инструментов из-за открытия нескольких ящиков, заполненных предметами.
5	Не кладите в ящик предметы, которые превышают допустимую нагрузку, на ящик. Предотвратить деформацию и плавное натяжение ящика
6	Перед тем, как запирать тележку для инструментов, убедитесь, что ящик полностью закрыт, никогда не ударяйте ящик после закрытия, так как это может привести к повреждению гальванического листа или гальванического бака.
7	Перед тем, как запирать тележку для инструментов, убедитесь, что ящик полностью закрыт, никогда не ударяйте заблокированные, но не плотно закрытые ящики, чтобы не повредить запирающее устройство.
8	Перед перемещением тележки для инструментов отпустите тормоза двух карданных колес. Не допускайте принудительного перемещения тележки для инструментов при отсутствии торможения. Это приводит к повреждению деталей на тележке для инструментов
9	При перемещении тележки для инструментов в место для проведения операций по техническому обслуживанию на месте, обязательно заблокируйте колеса тележки для инструментов и не выполните операцию в состоянии перемещения.
10	Когда не нужно, не разбирайте собственные детали автомобиля, такие как ящики, запирающие устройства, столешницы и т. д.

Очистка и обслуживание:

В целях повышения эффективности использования, пожалуйста, обратите внимание на регулярное использование легкой смазки для смазывания направляющих тележки для инструментов (направляющая выдвижного ящика оснащена черным стопорным кольцом. Чтобы снять выдвижной ящик, одновременно вниз нажмите на язычок на левой направляющей, вверх нажмите на язычок на правой направляющей и вытяните выдвижной ящик наружу. После смазки направляющего рельса, просто вставьте ящик в желоб для направляющих и надавите на него до дна. Рекомендуется смазывать не реже двух раз в год или увеличивать количество смазок в зависимости от использования.

제품 소개 :

- 1) 고강도의 구조 설계와 가루 분사 표면 처리 기술은 비교적 복잡한 공장 작업 환경에 적합합니다.
- 2) 우수한 품질의 슬라이드를 장착하여 서랍이 정격 부하를 감당하는 상황에서 원활하게 열고 닫히도록 보장합니다.
- 3) 서랍 양쪽은 중첩식 볼 베어링 슬라이드를 사용하여 사용이 원활합니다.
- 4) 수요에 따라 높이가 다른 서랍을 자유롭게 선택하여 생산 환경의 수요를 만족시킬 수 있습니다.
- 5) 선진적인 잠금장치를 사용하여 한 개의 장치로 모든 서랍을 잠글 수 있어 생산 현장 수요를 충분히 만족시킵니다.
- 6) 넓은 알루미늄 합금 서랍 손잡이 및 교체 가능한 태그를 사용하여 보기 좋고 편리하며 실용적입니다.
- 7) 국제 선진 수준의 잠금 장치를 사용하여 한 개의 장치로 모든 서랍을 잠글 수 있어 물품 안전을 확보합니다.
- 8) 고품질 바퀴는 안정적으로 움직이고 방향성이 우수하며 브레이크로 고정된 후 미끌어지지 않습니다.
- 9) 트롤리의 작업면은 스테인리스강에 섬유판을 고정하여 강도가 아주 높습니다.
- 10) 링형 키 구조를 사용하여 잠금 장치의 사용 수명을 연장합니다.
- 11) 트롤리의 중형 바퀴는 단일 하중이 120KG, 직경이 12EMM 로서 장애물을 쉽게 뛰어 넘을 수 있습니다.
- 12) 트롤리의 왼쪽 캐비닛은 각종 물품을 수납할 수 있기에 편리하고 실용적입니다.
- 13) 트롤리 서랍내에는 각종 공구를 수납할 수 있습니다.
- 14) 서랍 단일 정적 하중은 40KG, 트롤리 전체 정적 하중은 400KG 입니다.

95208S 103 부품 통용 스틸 세트 :

추천 부품은 별도로 구매해야 합니다

번호	SATA 번호	SATA 툴 명칭	수량
1	3931	굵은 이빨 반원 줄 6"	1
2	3939	가는 이빨 반원 줄 6"	1
3	3971	중간 이빨 등근 줄 6"	1
4	3991	중간 이빨 삼각 줄 6"	1
5	9105	9 개 롱 볼 육각 렌치 세트	1
6	9408	플라스틱 리벳 분해 전용 바이스	1
7	11304	6.3MM 시리즈 6 각 부싱 5MM	1
8	11305	6.3MM 시리즈 6 각 부싱 5.5MM	1
9	11306	6.3MM 시리즈 6 각 부싱 6MM	1
10	11307	6.3MM 시리즈 6 각 부싱 7MM	1
11	11308	6.3MM 시리즈 6 각 부싱 8MM	1
12	11309	6.3MM 시리즈 6 각 부싱 9MM	1
13	11310	6.3MM 시리즈 6 각 부싱 10MM	1
14	11901	6.3MM 시리즈 쾌속 탈락 래칫 렌치 5"	1
15	11903	6.3MM 시리즈 스티어링 로드 2"	1
16	11904	6.3MM 시리즈 스티어링 로드 4"	1
17	11910	6.3MM 시리즈 슬라이딩 로드 4"	1
18	11911	6.3MM 시리즈 래칫 핸들	1
19	11912	6.3MM 시리즈 유니버설 조인트	1
20	13408	12.5MM 시리즈 6 각 롱 부싱 17MM	1



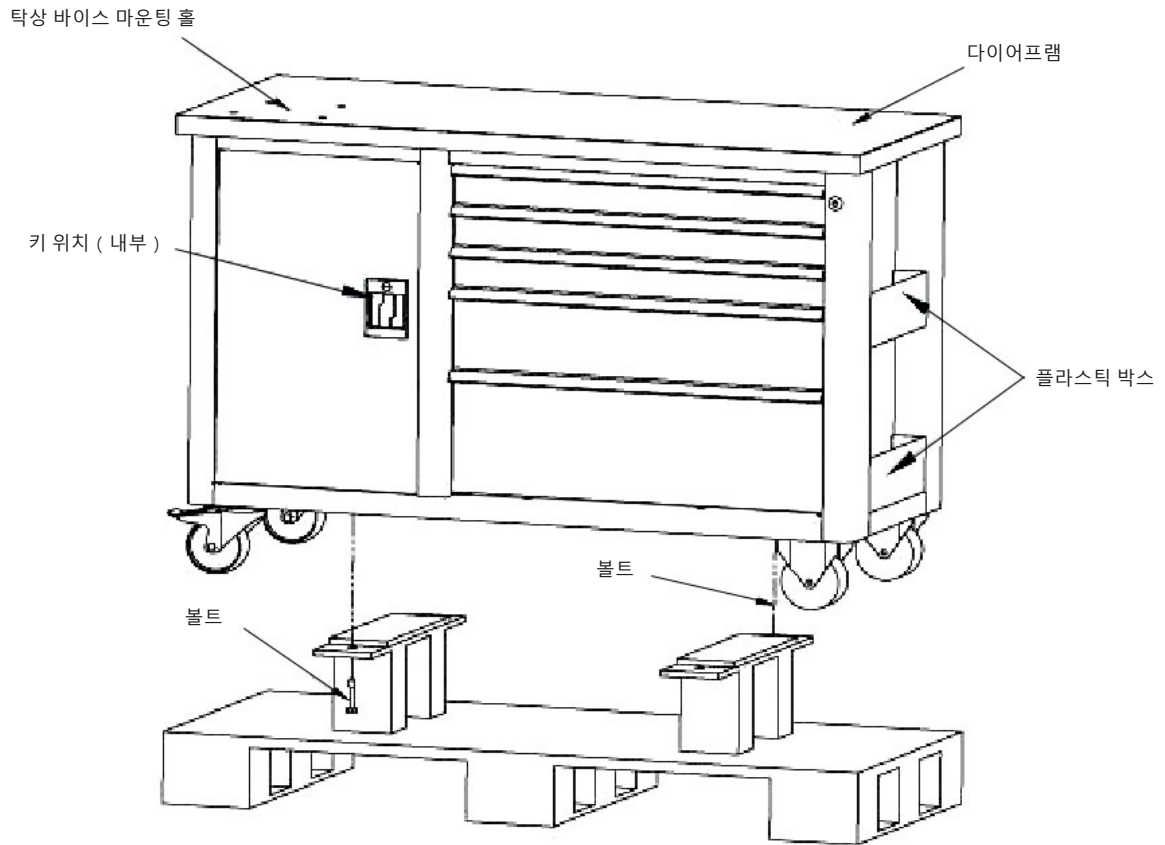
번호	SATA 번호	SATA 톨 명칭	수량
21	13801	12.5MM 시리즈 12 각 부상 10MM	1
22	13802	12.5MM 시리즈 12 각 부상 11MM	1
23	13603	12.5MM 시리즈 12 각 부상 12MM	1
24	13604	12.5MM 시리즈 12 각 부상 13MM	1
25	13608	12.5MM 시리즈 12 각 부상 17MM	1
26	13810	12.5MM 시리즈 12 각 부상 19MM	1
27	13811	12.5MM 시리즈 12 각 부상 20MM	1
28	13813	12.5MM 시리즈 12 각 부상 22MM	1
29	13615	12.5MM 시리즈 12 각 부상 24MM	1
30	13817	12.5MM 시리즈 12 각 부상 30MM	1
31	13818	12.5MM 시리즈 12 각 부상 32MM	1
32	13819	12.5MM 시리즈 12 각 부상 8MM	1
33	13902	12.5MM 시리즈 전문 쾌속 탈락 래칫 렌치 10"	1
34	13904	12.5MM 시리즈 스티어링 로드 5"	1
35	13905	12.5MM 시리즈 스티어링 로드 10"	1
36	13910	12.5MM 시리즈 슬라이딩 로드 10"	1
37	13912	12.5MM 시리즈 유니버설 조인트	1
38	21102	6.3MM 시리즈 꽃무늬 드라이버 부상 T10	1
39	21103	6.3MM 시리즈 꽃무늬 드라이버 부상 T15	1
40	21104	6.3MM 시리즈 꽃무늬 드라이버 부상 T20	1
41	21105	6.3MM 시리즈 꽃무늬 드라이버 부상 T25	1
42	21106	6.3MM 시리즈 꽃무늬 드라이버 부상 T30	1
43	21107	6.3MM 시리즈 꽃무늬 드라이버 부상 T40	1
44	21201	6.3MM 시리즈 육각 드라이버 부상 3MM	1
45	21202	6.3MM 시리즈 육각 드라이버 부상 4MM	1
46	21203	6.3MM 시리즈 육각 드라이버 부상 5MM	1
47	21204	6.3MM 시리즈 육각 드라이버 부상 6MM	1
48	21205	6.3MM 시리즈 육각 드라이버 부상 8MM	1
49	21301	6.3MM 시리즈 십자 드라이버 부상 #1	1
50	21302	6.3MM 시리즈 십자 드라이버 부상 #2	1
51	21501	6.3MM 시리즈 일자 드라이버 부상 4MM	1
52	21502	6.3MM 시리즈 일자 드라이버 부상 5.5MM	1
53	21503	6.3MM 시리즈 일자 드라이버 부상 6.5MM	1
54	25102	12.5MM 시리즈 100MM 긴 꽃무늬 드라이버 부상 T25	1
55	25103	12.5MM 시리즈 긴 꽃무늬 드라이버 부상 T27	1



번호	SATA 번호	SATA 톨 명칭	수량
56	25104	12.5MM 시리즈 긴 꽃무늬 드라이버 부싱 T30	1
57	25105	12.5MM 시리즈 100MM 긴 꽃무늬 드라이버 부싱 T40	1
58	25202	12.5MM 시리즈 100MM 롱 육각 드라이버 부싱 5MM	1
59	25203	12.5MM 시리즈 100MM 롱 육각 드라이버 부싱 6MM	1
60	25204	12.5MM 시리즈 100MM 롱 육각 드라이버 부싱 7MM	1
61	25206	12.5MM 시리즈 100MM 롱 육각 드라이버 부싱 8MM	1
62	25207	12.5MM 시리즈 100MM 롱 육각 드라이버 부싱 12MM	1
63	25208	12.5MM 시리즈 100MM 롱 육각 드라이버 부싱 14MM	1
64	41202	풀 폴리쉬 양구 오픈 스패너 8x10M	1
65	41203	풀 폴리쉬 양구 오픈 스패너 10x12MM	1
66	41204	풀 폴리쉬 양구 오픈 스패너 11x13MM	1
67	41205	풀 폴리쉬 양구 오픈 스패너 12x14MM	1
66	41206	풀 폴리쉬 양구 오픈 스패너 14x17MM	1
69	41207	풀 폴리쉬 양구 오픈 스패너 17x19MM	1
70	41209	풀 폴리쉬 양구 오픈 스패너 21x23MM	1
71	41210	풀 폴리쉬 양구 오픈 스패너 22x24MM	1
72	41214	풀 폴리쉬 양구 오픈 스패너 16x18MM	1
73	47250	플라스틱 스타일 스패너 8"	1
74	61101	A 시리즈 꽃무늬 스크류 드라이버 T10x100MM	1
75	61102	A 시리즈 꽃무늬 스크류 드라이버 T15x100MM	1
78	61103	A 시리즈 꽃무늬 스크류 드라이버 T20x100MM	1
77	61104	A 시리즈 꽃무늬 스크류 드라이버 T25x100MM	1
78	61105	A 시리즈 꽃무늬 스크류 드라이버 T27 X100MM	1
79	61106	A 시리즈 꽃무늬 스크류 드라이버 T30 X100MM	1
80	62211	A 시리즈 일자 스크류 드라이버 6x38MM	1
81	62202	A 시리즈 일자 스크류 드라이버 3.2 x 75MM	1
82	62208	A 시리즈 일자 스크류 드라이버 5X100MM	1
83	62213	A 시리즈 일자 스크류 드라이버 6x 150MM	1
84	61606	T 시리즈 일자 스크류 드라이버 8X150MM	1
85	62307	A 시리즈 십자 스크류 드라이버 #1X75MM	1
86	62311	A 시리즈 십자 스크류 드라이버 #2X38MM	1
87	62312	A 시리즈 십자 스크류 드라이버 #2X100MM	1
88	61706	T 시리즈 십자 스크류 드라이버 #3x150MM	1
89	71107	원구 로킹 플라이어 10"	1
90	71301	롱 노즐 로킹 플라이어 6"	1



번호	SATA 번호	SATA 틀 명칭	수량
91	71501	철판 로킹 플라이어 8"	1
92	71601	C 형 로킹 플라이어 11"	1
93	92101	표준 스틸 망치 320 그램	1
94	92103	곡면 마무리 스틸 망치 305 그램	1
95	92203	기둥 타입 스틸 라이닝	1
96	92205	밴딩 타입 스틸 라이닝	1
97	92207	플랫 타입 스틸 라이닝	1
98	92313	나무 핸들 원형 해머 1.5 파운드	1
99	92551	엘보 크로바 1.8 x 400MM	1
100	92603	나무 핸들 무반동 마운팅 해머 40MM	1
101	93101	왼쪽 항공가위 10"	1
102	93102	오른쪽 항공가위 10"	1
103	93405	알루미늄 활톱 12"	1





설명 :

- 1) 포장을 뜯은 후 패널과 팔레트를 고정한 볼트 (총 2 곳) 를 분해합니다. 분해 과정에서 장갑을 착용하여 팔레트 주위의 금속 프레임에 손이 다치지 않도록 합니다.
- 2) 작업대를 사용하기 전 먼저 필름을 뜯습니다.
- 3) 작업대 상의 4 개 홀은 탁상 바이스를 설치하는데 사용하며 SATA 중형 탁상 바이스 4" (번호 70841) 를 추천합니다.
- 4) 작업대 키 (2 가지, 총 4 개) 는 도어 자물쇠 고리에 걸어둡니다.
- 5) 작업대 측면 플라스틱 박스는 뜯어도 됩니다.

사용 주의사항 :

번호	내용
1	트롤리를 이동할 때 모든 서랍을 닫아 이동 과정에서 트롤리가 기울어지는 것을 방지합니다.
2	트롤리를 이동할 때 밀어야 합니다. 절대 당겨서는 안 됩니다. 이렇게 해야만 이동방향을 장악할 수 있습니다.
3	트롤리를 이동할 때 지나치게 많은 공구 혹은 기타 물품을 올려놓지 않습니다. 돌발 상황이 발생할 수 있습니다.
4	사용 과정에서 3 개 이상 (3 개 포함) 의 서랍을 동시에 열지 않습니다. 트롤리가 넘어질 수 있습니다.
5	서랍내에 표준 적재량을 초과하는 물품을 신지 않습니다. 서랍의 변형과 미끄러짐을 방지합니다.
6	트롤리를 잠그기 전 서랍을 완전히 닫습니다. 서랍을 닫은 후 충격을 가하지 않습니다. 플레이팅이 파손될 수 있습니다.
7	트롤리를 잠그기 전 서랍을 완전히 닫습니다. 잠근 후 꼭 닫혀지지 않은 서랍에 충격을 가하지 않습니다. 잠금 장치가 파손될 수 있습니다.
8	트롤리를 이동하기 전 두 개의 유니버설 바퀴의 브레이크 장치를 풀어줍니다. 브레이크를 풀지 않은 상태에서 강제로 트롤리를 이동하지 않습니다. 트롤리 부품이 파손될 수 있습니다.
9	트롤리를 지정된 위치에 이동하여 현장 수리 작업을 진행할 경우 반드시 트롤리의 바퀴를 잠궈야 합니다. 이동하는 상태에서 조작해서는 안 됩니다.
10	불필요한 상황에서 트롤리 자체 부품을 뜯어내서는 안 됩니다. 예를 들어 서랍, 잠금 장치, 작업대 등.

청결과 유지보수 :

사용 효율을 높이기 위해 트롤리 슬라이드에 정기적으로 경질유를 발라줍니다. (서랍 슬라이드에는 검은색 스프링이 있습니다. 서랍을 분해하려면 왼쪽 슬라이드 상의 스프링을 아래로 누르는 동시에 오른쪽 슬라이드 상의 스프링을 위로 누릅니다. 그리고 서랍을 밖으로 밀어냅니다.) 적어도 1 년에 두 번 발라주며 사용상황에 따라 차수를 늘여줍니다.

Introdução do produto:

- 1) Projeto de alta resistência estrutural e processo de tratamento de superfície de pó, que pode se adaptar ao ambiente de trabalho mais complicado da fábrica.
- 2) É equipado com trilhos deslizantes de alta qualidade para garantir que a gaveta possa ser facilmente aberta e fechada quando sujeita à carga nominal.
- 3) A bola sobreposta desliza em ambos os lados da gaveta para uma excelente suavidade.
- 4) Escolha livremente gavetas de diferentes alturas, conforme necessário, para satisfazer plenamente as necessidades do local de produção.
- 5) O bloqueio é avançado e todas as gavetas podem ser bloqueadas com apenas uma trava, atendendo totalmente às necessidades do local de produção.
- 6) Alça completa da gaveta da liga de alumínio da largura e etiqueta substituível, bonita, conveniente e uso.
- 7) Com travas de nível avançado internacional, todas as gavetas podem ser trancadas com apenas uma trava para garantir a segurança dos itens.
- 8) Rodízios de alta qualidade, boa execução, boa direcionalidade, sem deslizamento após os freios serem fixados.
- 9) A superfície de trabalho do carrinho de ferramentas é solidificada com bancadas de aço inoxidável e placa de densidade para maior resistência.
- 10) O uso de uma estrutura de chave de anel prolonga a vida útil da fechadura.
- 11) Os rodízios pesados do carrinho de ferramentas, com uma capacidade de carga de 120KG, são mais fáceis de atravessar obstáculos do que o diâmetro 125MM.
- 12) O gabinete do lado esquerdo do carrinho de ferramentas é usado para visitar vários itens, o que é conveniente e prático.
- 13) Uma ampla gama de módulos de ferramentas pode ser armazenada na gaveta do carrinho de ferramentas.
- 14) A gaveta tem uma capacidade de carga estática única de 40KG, e a capacidade de carga estática total do carro de ferramentas é de 400KG.

95208S 103 peças de conjunto universal de chapa metálica:

Configuração recomendada, precisa de comprar separadamente

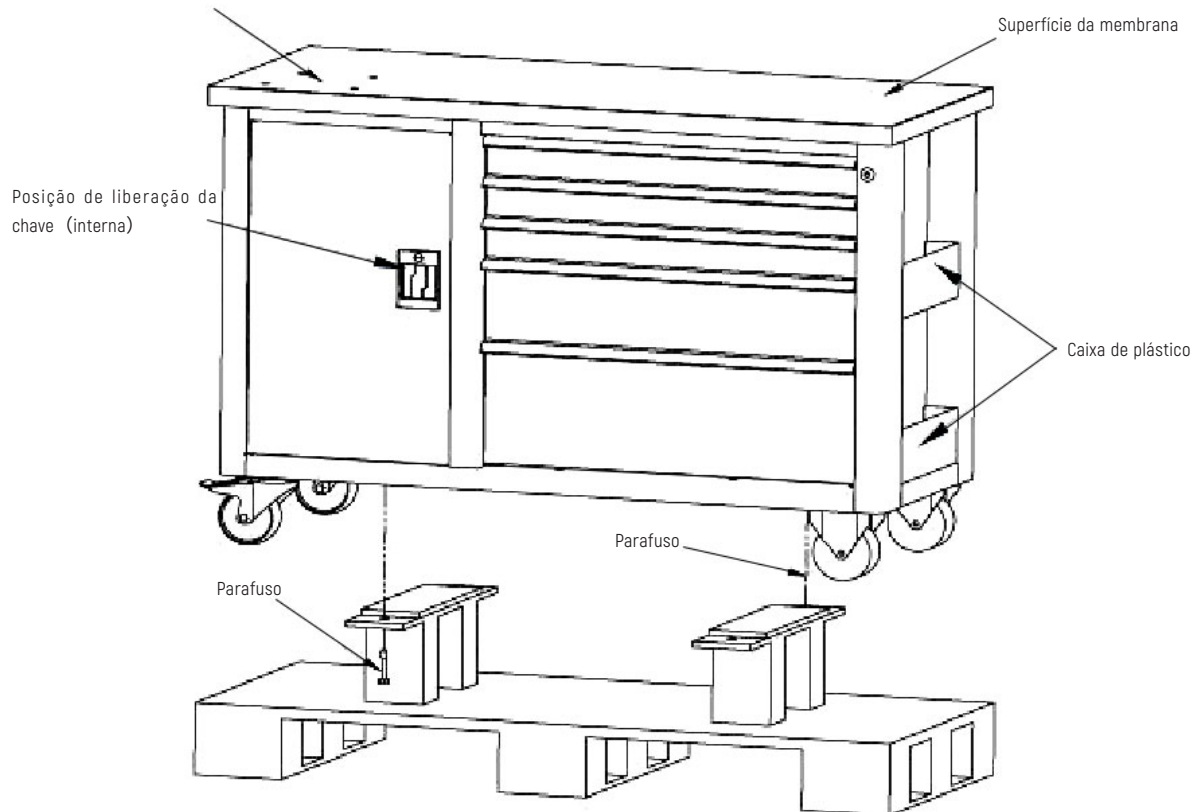
Número de série	Código da SATA	Nome da ferramenta da SATA	Quantidade
1	3931	Lima semi-circular com dentes grossos 6"	1
2	3939	Lima semi-circular com dentes finos 6"	1
3	3971	Lima circular com dentes médios 6"	1
4	3991	Lima triangular com dentes médios 6"	1
5	9105	Jogo das 9 chaves sextavadas longa da cabeça da bola	1
6	9408	Alicate especial de remoção de rebites de plástico	1
7	11304	Manga sextavada série 6.3MM 5MM	1
8	11305	Manga sextavada série 6.3MM 5.5MM	1
9	11306	Manga sextavada série 6.3MM 6MM	1
10	11307	Manga sextavada série 6.3MM 7MM	1
11	11308	Manga sextavada série 6.3MM 8MM	1
12	11309	Manga sextavada série 6.3MM 9MM	1
13	11310	Manga sextavada série 6.3MM 10MM	1
14	11901	Chave de catraca de derramamento rápido série 6.3MM 5"	1
15	11903	Poste de direção série 6.3MM 2"	1
16	11904	Poste de direção série 6.3MM 4"	1
17	11910	Haste deslizante série 6.3MM 4"	1
18	11911	Alça série 6.3MM	1
19	11912	Junta universal série 6.3MM	1
20	13408	Manga sextavada longa série 12.5MM 17MM	1

Número de série	Código da SATA	Nome da ferramenta da SATA	Quantidade
21	13801	Manga de 12 ângulos série 12.5MM 10MM	1
22	13802	Manga de 12 ângulos série 12.5MM 11MM	1
23	13603	Manga de 12 ângulos série 12.5MM 12MM	1
24	13604	Manga de 12 ângulos série 12.5MM 13MM	1
25	13608	Manga de 12 ângulos série 12.5MM 17MM	1
26	13810	Manga de 12 ângulos série 12.5MM 19MM	1
27	13811	Manga de 12 ângulos série 12.5MM 20MM	1
28	13813	Manga de 12 ângulos série 12.5MM 22MM	1
29	13615	Manga de 12 ângulos série 12.5MM 24MM	1
30	13817	Manga de 12 ângulos série 12.5MM 30MM	1
31	13818	Manga de 12 ângulos série 12.5MM 32MM	1
32	13819	Manga de 12 ângulos série 12.5MM 8MM	1
33	13902	Chave de catraca rápida profissional da casca série de 12.5MM 10 "	1
34	13904	Poste de direção série 12.5MM 5"	1
35	13905	Poste de direção série 12.5MM 10"	1
36	13910	Haste deslizante série 12.5MM 10"	1
37	13912	Junta universal série 12.5MM	1
38	21102	Manga de chave de fenda em forma de flor série 6.3MM T10	1
39	21103	Manga de chave de fenda em forma de flor série 6.3MM T15	1
40	21104	Manga de chave de fenda em forma de flor série 6.3MM T20	1
41	21105	Manga de chave de fenda em forma de flor série 6.3MM T25	1
42	21106	Manga de chave de fenda em forma de flor série 6.3MM T30	1
43	21107	Manga de chave de fenda em forma de flor série 6.3MM T40	1
44	21201	Luva de aparafusadora sextavada série 6.3MM 3MM	1
45	21202	Luva de aparafusadora sextavada série 6.3MM 4MM	1
46	21203	Luva de aparafusadora sextavada série 6.3MM 5MM	1
47	21204	Luva de aparafusadora sextavada série 6.3MM 6MM	1
48	21205	Luva de aparafusadora sextavada série 6.3MM 8MM	1
49	21301	Luva de chave de fenda em cruz série 6.3MM # 1	1
50	21302	Luva de chave de fenda em cruz série 6.3MM # 2	1
51	21501	Manga de chave de fenda de uma forma série 6.3MM 4MM	1
52	21502	Manga de chave de fenda de uma forma série 6.3MM 5.5MM	1
53	21503	Manga de chave de fenda de uma forma série 6.3MM 6.5MM	1
54	25102	Manga comprida em forma de fenda 100MM série 12.5MM T25	1
55	25103	Manga comprida em forma de fenda 12.5MM T27	1

Número de série	Código da SATA	Nome da ferramenta da SATA	Quantidade
56	25104	Manga comprida em forma de fenda série 12.5MM T30	1
57	25105	Manga comprida em forma de fenda série 12.5MM T40	1
58	25202	Chave de fenda longo hexagonal 100MM série 12.5MM 5MM	1
59	25203	Chave de fenda longo hexagonal 100MM série 12.5MM 6MM	1
60	25204	Chave de fenda longo hexagonal 100MM série 12.5MM 7MM	1
61	25206	Chave de fenda longo hexagonal 100MM série 12.5MM 8MM	1
62	25207	Chave de fenda longo hexagonal 100MM série 12.5MM 12MM	1
63	25208	Chave de fenda longo hexagonal 100MM série 12.5MM 14MM	1
64	41202	Chave aberta dupla totalmente polida 8x10M	1
65	41203	Chave de boca dupla totalmente polida 10x12MM	1
66	41204	Chave aberta dupla totalmente polida 11x13MM	1
67	41205	Chave aberta dupla totalmente polida 12x14MM	1
66	41206	Chave aberta dupla totalmente polida 14x17MM	1
69	41207	Chave de boca dupla totalmente polida 17x19MM	1
70	41209	Chave de boca dupla totalmente polida 21x23MM	1
71	41210	Chave de boca aberta totalmente polida 22x24MM	1
72	41214	Chave aberta dupla totalmente polida 16x18MM	1
73	47250	Chave ajustável europeia manchada 8"	1
74	61101	Chave de fenda em forma de flor série A T10x100MM	1
75	61102	Chave de fenda em forma de flor série A T15x100MM	1
78	61103	Chave de fenda em forma de flor série A T20x100MM	1
77	61104	Chave de fenda em forma de flor série T25x100MM	1
78	61105	Chave de fenda em forma de flor série T27 X100MM	1
79	61106	Chave de fenda em forma de flor série T30 X100MM	1
80	62211	Chave de fenda inline série A 6x38MM	1
81	62202	Chave de fenda em linha série A 3.2 x 75MM	1
82	62208	Chave de fenda em linha série A 5X100MM	1
83	62213	Chave de fenda em forma de série A 6x 150MM	1
84	61606	Chave de fenda de uma linha através do coração da série T 8X150MM	1
85	62307	Chave de fenda cruzada série A # 1X75MM	1
86	62311	Chave de fenda cruzada série A # 2X38MM	1
87	62312	Chave de fenda cruzada série A # 2X100MM	1
88	61706	Chave de fenda de rosca da série T # 3x150MM	1
89	71107	Boca redonda com alicate de liberação rápida 10"	1
90	71301	Nariz pontudo com alicate 6"	1

Número de série	Código da SATA	Nome da ferramenta da SATA	Quantidade
91	71501	Alicate de ferro 8"	1
92	71601	Alicate tipo C de 11"	1
93	92101	Martelo de ouro 320 gramas	1
94	92103	Martelo de chapa de acabamento de superfície 305g	1
95	92203	Ferro de ferro de chapa de tipo de cais	1
96	92205	Ferro de chapa curvo	1
97	92207	Ferro de chapa plana	1
98	92313	Martelo redondo com cabo de madeira 1,5 lbs	1
99	92551	Alavanca de cotovelo 1.8 x 400MM	1
100	92603	Cabo de madeira sem rebote martelo de montagem 40MM	1
101	93101	Cabeça de ar esquerda 10 "	1
102	93102	Tesoura de ar de cabeça direita 10 "	1
103	93405	Tubo de serra de alumínio quadrado 12 "	1

Orifício de montagem de torno de mesa



Descrição:

- 1) Depois de abrir a embalagem, remova os parafusos que fixam a placa inferior e a placa * (duas no total) . Use luvas durante o processo de remoção e não toque na estrutura metálica em torno da placa * para evitar arranhões.
- 2) Por favor, rasgue a membrana da mesa antes de usar a bancada de trabalho.
- 3) Quatro buracos redondos no topo da mesa são usados para instalar o torno de bancada. É recomendado o uso da Plataforma de Aço Pesado Shida Vise 4 * (No. 7084) .
- 4) As chaves da bancada de trabalho (dois modelos, um total de quatro) são colocadas na lingüeta da trava da porta.
- 5) A caixa plástica na lateral da bancada é removível.

Precauções para uso:

Número de série	Conteúdo
1	Ao mover o carrinho de ferramentas, feche todas as gavetas para evitar que o carrinho de ferramentas tombe durante o movimento.
2	Ao mover o carrinho de ferramentas, por favor use o método push, não puxe. Para entender a direção do movimento
3	Ao mover o carrinho de ferramentas, não empilhe muitas ferramentas ou outros itens no carrinho de ferramentas para evitar acidentes.
4	Durante o uso, não abra mais de três gavetas (incluindo três) ao mesmo tempo para evitar que o carrinho de ferramentas caia devido à abertura de várias gavetas cheias de itens.
5	Não coloque objetos na gaveta que excedam a carga razoável da gaveta. Pare a deformação da gaveta e puxe suave
6	Na frente da ferramenta de travamento, certifique-se de que a gaveta esteja completamente fechada. Não bata na gaveta após o fechamento, causando danos ao revestimento ou ao tanque de metalização.
7	Na frente da ferramenta de bloqueio, certifique-se de que a gaveta esteja completamente fechada. Não bata na gaveta que não está travada após a trava para evitar danos ao dispositivo de galvanização.
8	Solte os freios dos dois rodízios universais ao mover a ferramenta. Não mova o carrinho de ferramentas à força sem travar frouxamente. Danos resultantes às peças no carrinho de ferramentas
9	Ao mover o carrinho de ferramentas para o local para operações de manutenção no local, certifique-se de travar os rodízios do carrinho de ferramentas e de não operar no estado de movimento.
10	Não desmonte as peças da própria ferramenta, como gavetas, fechaduras, bancadas, etc., se não for necessário.

Limpeza e manutenção:

A fim de melhorar a eficiência do uso, preste atenção para usar regularmente a graxa leve para lubrificar o trilho deslizante do carrinho de ferramentas (o trilho deslizante da gaveta está equipado com um freio preto. Para remover a gaveta, pressione a palheta no trilho esquerdo e pressione a palheta no trilho direito. Depois, puxe a gaveta para fora. Após o trilho ser lubrificado, basta inserir a gaveta no trilho. E empurre com força para o fundo) , recomenda-se a pelo menos duas vezes por ano, ou aumentar o número de vezes de acordo com o uso.

製品の説明:

- 1) 高強度の構造設計と粉体塗装により、比較的複雑な工場の作業環境に適応できます。
- 2) 高品質のスライドレールを装備したので、引き出しは定格荷重時でも軽やかでスムーズに開閉できます。
- 3) 引き出しの両側は重ね合わせたボールベアリングスライドレールを採用したので、スムーズさに優れています。
- 4) 需要によって異なる高さの引き出しを自由に選択できるので、生産現場の需要には十分に満足できます。
- 5) 先進的なロック装置により、一つの錠前だけで全ての引き出しを閉められるので、生産現場の需要には十分に満足できます。
- 6) 広型アルミ合金引き出し取っ手及び交換可能のラベル。美観、便利、実用。
- 7) 国際先進ロック装置を採用して一つの錠前だけで全ての引き出しを閉められるので、物品の安全を保障できます。
- 8) 高品質のキャスター。進行が安定で方向性がよい。ブレーキをかけるとスライドしません。
- 9) ツールカートのテーブルはステンレス製高密度プレートで強化されて強度がもっと優れています。
- 10) 環状錠前を採用したので、鍵の使用寿命が伸びます
- 11) 一つのツールカートの大型キャスターの最大負荷: 120KG。12EMM の直径で障害物を越えやすい。
- 12) ツールカートの左側の収納空間は各種の物品を保管できます。便利、実用。
- 13) ツールカートの引き出し内には豊富なツールモデルを保管できます。
- 14) 一つの引き出しの静的荷重: 40KG。ツールカート全体の静的荷重: 400KG。

95208S 103 点の通用板金セット:

推奨配置は別途で購入する必要があります

番号	世達番号	世達工具名称	数量
1	3931	半丸やすり (粗目) 6"	1
2	3939	半丸やすり (細目) 6"	1
3	3971	丸やすり (中目) 6"	1
4	3991	三角やすり (中目) 6"	1
5	9105	9 点の延長ボールヘッド六角棒スパナセット	1
6	9408	プラスチック製リベット取り外し用ペンチ	1
7	11304	6.3MM シリーズ六角スリーブ 5MM	1
8	11305	6.3MM シリーズ六角スリーブ 5.5MM	1
9	11306	6.3MM シリーズ六角スリーブ 6MM	1
10	11307	6.3MM シリーズ六角スリーブ 7MM	1
11	11308	6.3MM シリーズ六角スリーブ 8MM	1
12	11309	6.3MM シリーズ六角スリーブ 9MM	1
13	11310	6.3MM シリーズ六角スリーブ 10MM	1
14	11901	6.3MM シリーズワンタッチラチェットレンチ 5"	1
15	11903	6.3MM シリーズステアリングタイロッド 2"	1
16	11904	6.3MM シリーズステアリングタイロッド 4"	1
17	11910	6.3MM シリーズスライドロッド 4"	1
18	11911	6.3MM シリーズ回転式ハンドル	1
19	11912	6.3MM シリーズユニバーサルジョイント	1
20	13408	12.5MM シリーズロング六角スリーブ 17MM	1

**SATA**[®]

95207/95208

中文

EN

DE

RU

KO

PT

JA

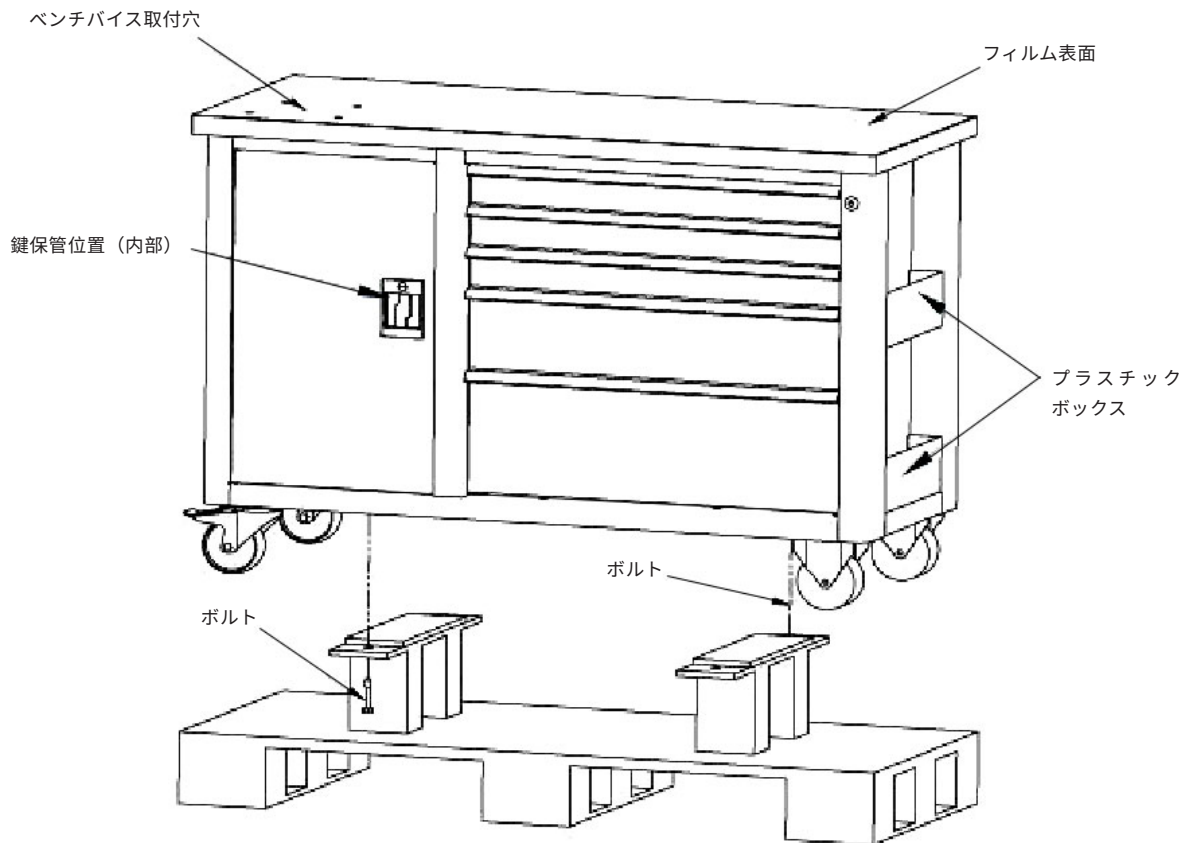
ES

番号	世達番号	世達工具名称	数量
21	13801	12.5MM シリーズ十二角スリーブ 10MM	1
22	13802	12.5MM シリーズ十二角スリーブ 11MM	1
23	13603	12.5MM シリーズ十二角スリーブ 12MM	1
24	13604	12.5MM シリーズ十二角スリーブ 13MM	1
25	13608	12.5MM シリーズ十二角スリーブ 17MM	1
26	13810	12.5MM シリーズ十二角スリーブ 19MM	1
27	13811	12.5MM シリーズ十二角スリーブ 20MM	1
28	13813	12.5MM シリーズ十二角スリーブ 22MM	1
29	13615	12.5MM シリーズ十二角スリーブ 24MM	1
30	13817	12.5MM シリーズ十二角スリーブ 30MM	1
31	13818	12.5MM シリーズ十二角スリーブ 32MM	1
32	13819	12.5MM シリーズ十二角スリーブ 8MM	1
33	13902	12.5MM シリーズワンタッチラチェットレンチ 10"	1
34	13904	12.5MM シリーズステアリングタイロッド 5"	1
35	13905	12.5MM シリーズステアリングタイロッド 10"	1
36	13910	12.5MM シリーズスライドロッド 10"	1
37	13912	12.5MM シリーズユニバーサルジョイント	1
38	21102	6.3MM シリーズトルクスドライバースリーブ T10	1
39	21103	6.3MM シリーズトルクスドライバースリーブ T15	1
40	21104	6.3MM シリーズトルクスドライバースリーブ T20	1
41	21105	6.3MM シリーズトルクスドライバースリーブ T25	1
42	21106	6.3MM シリーズトルクスドライバースリーブ T30	1
43	21107	6.3MM シリーズトルクスドライバースリーブ T40	1
44	21201	6.3MM シリーズ六角ドライバースリーブ 3MM	1
45	21202	6.3MM シリーズ六角ドライバースリーブ 4MM	1
46	21203	6.3MM シリーズ六角ドライバースリーブ 5MM	1
47	21204	6.3MM シリーズ六角ドライバースリーブ 6MM	1
48	21205	6.3MM シリーズ六角ドライバースリーブ 8MM	1
49	21301	6.3MM シリーズプラスドライバースリーブ #1	1
50	21302	6.3MM シリーズプラスドライバースリーブ #2	1
51	21501	6.3MM シリーズマイナスドライバースリーブ 4MM	1
52	21502	6.3MM シリーズマイナスドライバースリーブ 5.5MM	1
53	21503	6.3MM シリーズマイナスドライバースリーブ 6.5MM	1
54	25102	12.5MM シリーズシリーズ 100MM ロングトルクスドライバースリーブ T25	1
55	25103	12.5MM シリーズロングトルクスドライバースリーブ T27	1



番号	世達番号	世達工具名称	数量
56	25104	12.5MM シリーズロングトルクスドライバースリーブ T30	1
57	25105	12.5MM シリーズ 100MM ロングトルクスドライバースリーブ T40	1
58	25202	12.5MM シリーズ 100MM ロング六角ドライバースリーブ 5MM	1
59	25203	12.5MM シリーズ 100MM ロング六角ドライバースリーブ 6MM	1
60	25204	12.5MM シリーズ 100MM ロング六角ドライバースリーブ 7MM	1
61	25206	12.5MM シリーズ 100MM ロング六角ドライバースリーブ 8MM	1
62	25207	12.5MM シリーズ 100MM ロング六角ドライバースリーブ 12MM	1
63	25208	12.5MM シリーズ 100MM ロング六角ドライバースリーブ 14MM	1
64	41202	研磨ダブルオープンエンドレンチ 8x10M	1
65	41203	研磨ダブルオープンエンドレンチ 10x12MM	1
66	41204	研磨ダブルオープンエンドレンチ 11x13MM	1
67	41205	研磨ダブルオープンエンドレンチ 12x14MM	1
66	41206	研磨ダブルオープンエンドレンチ 14x17MM	1
69	41207	研磨ダブルオープンエンドレンチ 17x19MM	1
70	41209	研磨ダブルオープンエンドレンチ 21x23MM	1
71	41210	研磨ダブルオープンエンドレンチ 22x24MM	1
72	41214	研磨ダブルオープンエンドレンチ 16x18MM	1
73	47250	ディップモンキーレンチ 8"	1
74	61101	A シリーズトルクスドライバー T10x100MM	1
75	61102	A シリーズトルクスドライバー T15x100MM	1
78	61103	A シリーズトルクスドライバー T20x100MM	1
77	61104	A シリーズトルクスドライバー T25x100MM	1
78	61105	A シリーズトルクスドライバー T27 X100MM	1
79	61106	A シリーズトルクスドライバー T30 X100MM	1
80	62211	A シリーズマイナスドライバー 6x38MM	1
81	62202	A シリーズマイナスドライバー 3.2 x 75MM	1
82	62208	A シリーズマイナスドライバー 5X100MM	1
83	62213	A シリーズマイナスドライバー 6x 150MM	1
84	61606	T シリーズ貫通型マイナスドライバー 8X150MM	1
85	62307	A シリーズプラスドライバー #1X75MM	1
86	62311	A シリーズプラスドライバー #2X38MM	1
87	62312	A シリーズプラスドライバー #2X100MM	1
88	61706	T シリーズ貫通型プラスドライバー #3x150MM	1
89	71107	ワンタッチラウンドノーズプライヤ 10"	1
90	71301	ロングノーズプライヤ 6"	1

番号	世達番号	世達工具名称	数量
91	71501	フラットペンチ 8"	1
92	71601	C型プライヤ 11"	1
93	92101	標準板金ハンマー 320g	1
94	92103	曲面仕上げ板金ハンマー	1
95	92203	円柱板金ガスケット	1
96	92205	曲がり板金ガスケット	1
97	92207	フラット板金ガスケット	1
98	92313	木製ハンドルラウンドハンマー 1.5 ポンド	1
99	92551	ボール 1.8×400MM	1
100	92603	木製ハンドルリバウンドなし取付ハンマー 40MM	1
101	93101	左ベントノーズプライヤ 10"	1
102	93102	右ベントノーズプライヤ 10"	1
103	93405	アルミ合金角管弓鋸 12"	1



**説明:**

- 1) 開封後に固定プレートとパレットとのボルト（二箇所）を取り外します。取り外す際には、パレット周辺の金属枠との接触による傷を防ぐために、手袋を装着してください。
- 2) テーブル使用前に、テーブルのフィルムを外してください。
- 3) テーブル上の四つの丸い穴はベンチバイスを設置するものです。世達大型角鋼ベンチバイス 4”（番号 70841）を推奨します。
- 4) テーブルの鍵（二種類、計四本）は戸板錠前のロックピースに置いてあります。
- 5) テーブル側面のプラスチックボックスは取り外すことができます。

使用注意事項:

番号	内容
1	ツールカートを移動する際に、移動中のツールカートの転落を防ぐために、全ての引き出しを締めてください。
2	ツールカートを移動する際に、引かずに押して前進してください。移動方向を制御できます。
3	ツールカートを移動する際に、突如な状況を防ぐために、ツールカートに多数の工具又はその他の物品を置かないよう注意してください。
4	使用中に、多数の物品満載の引き出しによるツールカートの転落を防ぐために、同時に三つ以上（三つを含む）の引き出しを開けないよう注意してください。
5	引き出し荷重以上の物品を置かないよう注意してください。引き出しの変形及び引き抜きの滑りを防ぎます。
6	ツールカートをロックする前に、引き出しが完全に締まっていることを確認してください。ロックピース又はロック溝の損傷を防ぐために、締めた後に引き出しを叩かないよう注意してください。
7	ツールカートをロックする前に、引き出しが完全に締まっていることを確認してください。ロック装置の損傷を防ぐために、ロックしたが締めていない引き出しを叩かないよう注意してください。
8	ツールカートを移動する前に、二つのキャスターのブレーキ装置を解除します。ブレーキを解除していない状態でツールカートを強引に移動しないよう注意してください。ツールカート部品の損傷を招く恐れがあります。
9	ツールカートを指定した場所までに移動して現場修理を行う際に、ツールカートのキャスターを必ずロックしてください。移動中にロックしないでください。
10	必要でない場合には、許可なくツールカートの部品を取り外さないよう注意してください。例えば：引き出し、ロック装置、テーブルなど。

清浄及びメンテナンス:

使用効率を向上させるために、ツールカートのスライドレールに定期的に軽質グリスを給脂してください（引き出しのスライドレールには黒色のコッターを設置しているので、引き出しを取り外すには、同時に左右のスライドレールのリードをそれぞれ下と上へ押してから力をかけて手前に引き出しを引きます。給脂完成後、引き出しをスライドレールの溝に挿入して最後までに力強く押します。）。年に二回目目安。又は状況によって回数を増やします。

**Descripción de productos:**

- 1) El diseño estructural de alta resistencia y el proceso de tratamiento de la superficie del polvo pueden adaptarse al entorno de trabajo más complejo de la fábrica.
- 2) Está equipado con rieles deslizantes de alta calidad para garantizar una fácil apertura y cierre del cajón cuando está sujeto a la carga nominal.
- 3) Aplicando el riel deslizante de tipo superpuesto en ambos de cajón, con una excelente suavidad.
- 4) De acuerdo con las necesidades, puede elegir libremente configurar los cajones de diferentes alturas para satisfacer plenamente las necesidades del sitio de producción.
- 5) Las cerraduras son avanzadas y todos los cajones se pueden cerrar con una sola cerradura, lo que satisface plenamente las necesidades del sitio de producción.
- 6) Las manijas del cajón de aleación de aluminio de ancho completo y las etiquetas reemplazables son hermosas, convenientes y fáciles de usar.
- 7) Con las cerraduras internacionales de nivel avanzado, todos los cajones pueden cerrarse con una sola cerradura para garantizar la seguridad de los artículos.
- 8) Rodillos de alta calidad, implementación suave, buena direccionalidad, no deslizamiento después de que se fijen por los frenos.
- 9) La superficie de banco de trabajo del carro de herramientas está solidificada con tablas de densidad para una mayor resistencia.
- 10) Aplicando una estructura de llave en forma de anillo, para extender la vida útil de la cerradura.
- 11) Los rodillos pesados del carro de herramientas, con un solo peso de carga de 120 KG, son más fáciles de cruzar obstáculos con el diámetro 12EMM.
- 12) El armario izquierdo del carro de herramientas se utiliza para visitar varios elementos, lo cual es conveniente y práctico.
- 13) Se puede almacenar una amplia gama de módulos de herramientas en el cajón del carro de herramientas.
- 14) El cajón tiene una capacidad de carga estática única de 40 KG, y la capacidad de carga estática general del carro de herramientas es de 400 KG.

95208S juego universal de 103 piezas de chapa de metal:

Configuración recomendada, hay que comprar por separado

No.	No.SATA	Nombre de herramienta SATA	Cantidad
1	3931	Lima semiredonda de dientes gruesos 6"	1
2	3939	Lima semiredonda de dientes finos 6"	1
3	3971	Lima redonda de dientes medios 6"	1
4	3991	Lima triángula de diente medio 6"	1
5	9105	Juego de llaves hexagonales con cabeza de bola larga de 9 piezas	1
6	9408	Pinzas especiales de desmontaje de remaches de plástico	1
7	11304	Manga hexágona de la serie de 6.3 MM 5 MM	1
8	11305	Manga hexágona de la serie de 6.3 MM 5.5 MM	1
9	11306	Manga hexágona de la serie de 6.3 MM 6 MM	1
10	11307	Manga hexágona de la serie de 6.3 MM 7 MM	1
11	11308	Manga hexágona de la serie de 6.3 MM 8 MM	1
12	11309	Manga hexágona de la serie de 6.3 MM 9 MM	1
13	11310	Manga hexágona de la serie de 6.3 MM 10 MM	1
14	11901	Llave de trinquete de vertido rápido de la serie 6.3MM5"	1
15	11903	Varilla de conexión de dirección de serie 6.3MM2"	1
16	11904	Varilla de conexión de dirección de serie 6.3MM4"	1
17	11910	Varilla de deslizamiento de la serie 6.3MM4"	1
18	11911	Manija giratoria de la serie 6.3MM	1
19	11912	Junta universal de la serie 6.3MM	1
20	13408	Manga larga hexágona de la serie de 12.5MM 17MM	1

No.	No.SATA	Nombre de herramienta SATA	Cantidad
21	13801	Manga dodecagonal de la serie 12.5MM 10MM	1
22	13802	Manga dodecagonal de la serie 12.5MM 11MM	1
23	13603	Manga dodecagonal de la serie 12.5MM 12MM	1
24	13604	Manga dodecagonal de la serie 12.5MM 13MM	1
25	13608	Manga dodecagonal de la serie 12.5MM 17MM	1
26	13810	Manga dodecagonal de la serie 12.5MM 19MM	1
27	13811	Manga dodecagonal de la serie 12.5MM 20MM	1
28	13813	Manga dodecagonal de la serie 12.5MM 22MM	1
29	13615	Manga dodecagonal de la serie 12.5MM 24MM	1
30	13817	Manga dodecagonal de la serie 12.5MM 30MM	1
31	13818	Manga dodecagonal de la serie 12.5MM 32MM	1
32	13819	Manga dodecagonal de la serie 12.5MM 8MM	1
33	13902	Llave de trinquete especial de vertido rápido de la serie 12.5MM10°	1
34	13904	Varilla de conexión de dirección de serie 12.5MM5°	1
35	13905	Varilla de conexión de dirección de serie 12.5MM10°	1
36	13910	Varilla de deslizamiento de la serie 12.5MM10°	1
37	13912	Junta universal de la serie 12.5MM	1
38	21102	Manga de destornillador de forma de flor de la serie 6.3MM T10	1
39	21103	Manga de destornillador de forma de flor de la serie 6.3MM T15	1
40	21104	Manga de destornillador de forma de flor de la serie 6.3MM T20	1
41	21105	Manga de destornillador de forma de flor de la serie 6.3MM T25	1
42	21106	Manga de destornillador de forma de flor de la serie 6.3MM T30	1
43	21107	Manga de destornillador de forma de flor de la serie 6.3MM T40	1
44	21201	Manga de destornillador hexagonal de la serie 6.3MM 3MM	1
45	21202	Manga de destornillador hexagonal de la serie 6.3MM 4MM	1
46	21203	Manga de destornillador hexagonal de la serie 6.3MM 5MM	1
47	21204	Manga de destornillador hexagonal de la serie 6.3MM 6MM	1
48	21205	Manga de destornillador hexagonal de la serie 6.3MM 8MM	1
49	21301	Manga de destornillador de forma de cruz de la serie 6.3MM#1	1
50	21302	Manga de destornillador de forma de cruz de la serie 6.3MM#2	1
51	21501	Manga de destornillador de forma de carácter de la serie 6.3MM 4MM	1
52	21502	Manga de destornillador de forma de carácter de la serie 6.3MM 5.5MM	1
53	21503	Manga de destornillador de forma de carácter de la serie 6.3MM 6.5MM	1
54	25102	Manga de destornillador de forma de flor largo 100MM de la serie 12.5MMT25	1
55	25103	Manga de destornillador de forma de flor de la serie 12.5MM T27	1

**SATA®****95207/95208**

中文

EN

DE

RU

KO

PT

JA

ES

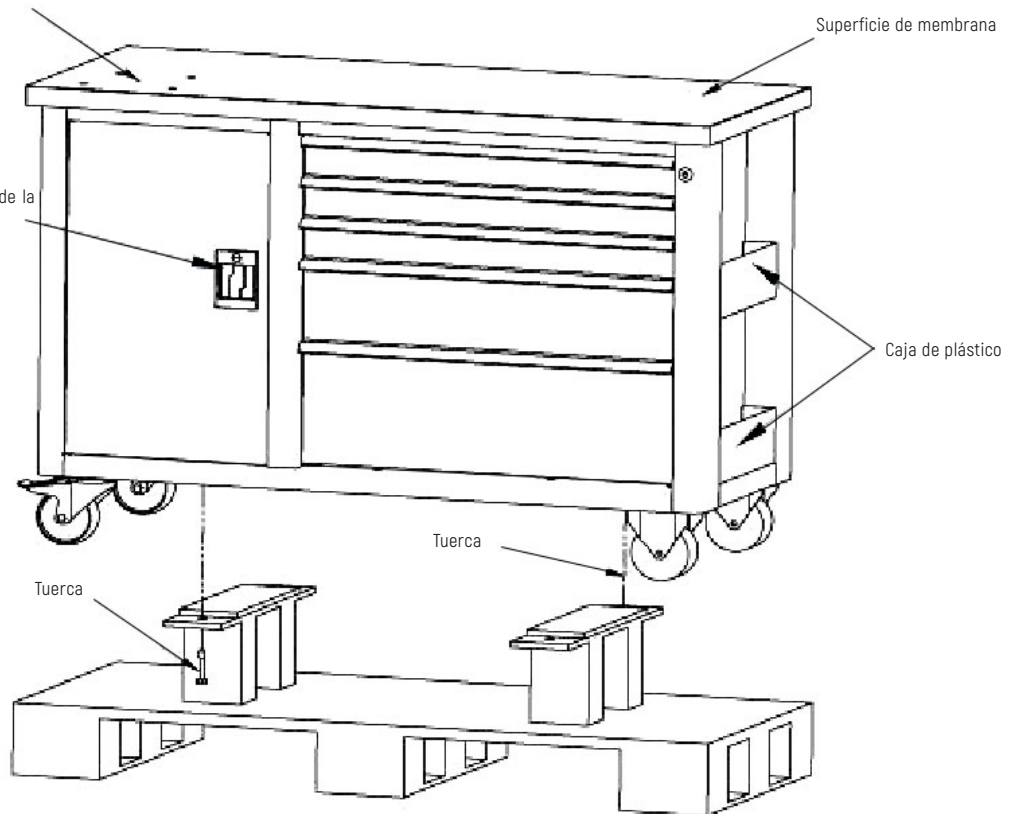
No.	No.SATA	Nombre de herramienta SATA	Cantidad
56	25104	Manga de destornillador de forma de flor de la serie 12.5MM T30	1
57	25105	Manga de destornillador de forma de flor largo 100MM de la serie 12.5MM T40	1
58	25202	Manga de destornillador hexagonal larga 100MM de la serie 12.5MM5MM	1
59	25203	Manga de destornillador hexagonal larga 100MM de la serie 12.5MM 6MM	1
60	25204	Manga de destornillador hexagonal larga 100MM de la serie 12.5MM 7MM	1
61	25206	Manga de destornillador hexagonal larga 100MM de la serie 12.5MM 8MM	1
62	25207	Manga de destornillador hexagonal larga 100MM de la serie 12.5MM 12MM	1
63	25208	Manga de destornillador hexagonal larga 100MM de la serie 12.5MM 14MM	1
64	41202	Llave abierta doble totalmente pulida 8x10M	1
65	41203	Llave abierta doble totalmente pulida 10x12MM	1
66	41204	Llave abierta doble totalmente pulida 11x13MM	1
67	41205	Llave abierta doble totalmente pulida 12x14MM	1
66	41206	Llave abierta doble totalmente pulida 14x17MM	1
69	41207	Llave abierta doble totalmente pulida 17x19MM	1
70	41209	Llave abierta doble totalmente pulida 21x23MM	1
71	41210	Llave abierta doble totalmente pulida 22x24MM	1
72	41214	Llave abierta doble totalmente pulida 16x18MM	1
73	47250	Llave ajustable manchada de estilo europeo8"	1
74	61101	Destornilladores en forma de flor de la serie A T10x100MM	1
75	61102	Destornilladores en forma de flor de la serie A T15X100MM	1
78	61103	Destornilladores en forma de flor de la serie A T20X100MM	1
77	61104	Destornilladores en forma de flor de la serie A T25X100MM	1
78	61105	Destornilladores en forma de flor de la serie A T27 X100MM	1
79	61106	Destornilladores en forma de flor de la serie A T30 X100MM	1
80	62211	Destornilladores en forma de carácter de la serie A 6x38MM	1
81	62202	Destornilladores en forma de carácter de la serie A 3.2 x 75MM	1
82	62208	Destornilladores en forma de carácter de la serie A 5X100MM	1
83	62213	Destornilladores en forma de carácter de la serie A 6x 150MM	1
84	61606	Destornilladores en forma de perforación de la serie A 8X150MM	1
85	62307	Destornilladores en forma de cruz de la serie A #1X75MM	1
86	62311	Destornilladores en forma de cruz de la serie A #2X38MM	1
87	62312	Destornilladores en forma de cruz de la serie A #2X100MM	1
88	61706	Destornilladores en forma de perforación y cruz de la serie T #3x150MM	1
89	71107	Alicata de presión de liberación rápida de dorde redondo 10"	1
90	71301	Alicata de presión de cuchilla afilada 6"	1



No.	No.SATA	Nombre de herramienta SATA	Cantidad
91	71501	Alicates de presión de hierro8"	1
92	71601	Alicate de presión de tipo C 11"	1
93	92101	Martillo de chapa de metal estándar 320g	1
94	92103	Martillo de chapa de metal de superficie curva 305g	1
95	92203	Hierro de forro de chapa de metal de tipo montón	1
96	92205	Hierro de forro de chapa de metal de tipo curvo	1
97	92207	Hierro de forro de chapa de metal de tipo plano	1
98	92313	Martillo redondo con mango de madera 1,5 lbs	1
99	92551	Palanca de codo 1.8x400MM	1
100	92603	Martillo de montaje con el mango de madera sin rebote40MM	1
101	93101	Cizalla de aire de cabeza izquierda 10"	1
102	93102	Cizalla de aire de cabeza derecha 10"	1
103	93405	Sierra de tubo cuadrado de aluminio arco 12"	1

Agujero de montaje de tornillo de banco

Posición de liberación de la llave (interna)



**Nota:**

- 1) Después de desembalar, retire los tornillos que fijan la placa inferior y la placa * (dos en total) . Use guantes durante el proceso de remoción y no toque el marco de metal alrededor de la placa * para evitar que se raye.
- 2) Rasgue la membrana de superficie de banco de trabajo antes de usar el banco de trabajo.
- 3) Se utilizan cuatro orificios redondos en la superficie de banco de trabajo para instalar el tornillo de banco. Se recomienda usar el tornillo de banco de acero pesado de SATA 4 * (No. 70841) .
- 4) Las llaves de la banco de trabajo (dos tipos, cuatro llaves) se colocan en la lengüeta de la cerradura de la puerta.
- 5) La caja de plástico en el lado de la banco de trabajo es desmontable.

Precauciones de uso:

No.	Contenido
1	Al mover el carro de herramientas, cierre todos los todos cajones para evitar que se vuelque durante el movimiento.
2	Cuando mueva el carro de herramientas, utilice el método de empuje, en lugar de tirar. Para controlar la dirección del movimiento.
3	Al mover el carro de herramientas, no apile demasiadas herramientas u otros artículos en el carro de herramientas para evitar accidentes.
4	Durante el uso, no abra más de tres cajones (incluidos tres) al mismo tiempo para evitar que el carro de herramientas se vuelque debido a la apertura de varios cajones llenos de artículos.
5	No coloque artículos en el cajón que excedan la carga razonable del cajón. Evite que el cajón se deforme y mantenga el tirón suave
6	Antes de bloquear el carro de la herramienta, asegúrese de que el cajón esté completamente cerrado. No golpee el cajón después de cerrarlo, lo que podría dañar la pieza de recubrimiento y ranura de recubrimiento
7	Antes de bloquear el carro de herramienta, asegúrese de que el cajón esté completamente cerrado. No golpee el cajón que está bloqueado pero no cerrado para evitar dañar el dispositivo de recubrimiento.
8	Afloje los frenos de las dos ruedas universales cuando mueva el carro de herramienta. No mueva a la fuerza el carro de herramientas sin soltar el freno. De este modo, se dañan los componentes del carro de herramientas
9	Al mover el carro de herramientas a la ubicación para el mantenimiento en el sitio, asegúrese de bloquear los rodillos del carro de herramientas y no se lo operar en el estado de movimiento.
10	Si no es necesario, no desmonte las piezas del carro de herramientas, como cajones, cerraduras, banco, etc.

Limpieza y mantenimiento:

Para mejorar la eficiencia de uso, preste atención al uso regular de la grasa ligera para lubricar el riel deslizante del carro de herramientas (el riel deslizante del cajón está equipado con un resorte de sujeción negro) . Para extraer el cajón, presione la lengüeta del riel izquierdo hacia abajo y presione la lengüeta del riel derecho hacia arriba. Luego extraiga el cajón hacia afuera. Después de lubricar el riel, simplemente inserte el cajón en el riel. Y empuje con fuerza hasta el fondo) . Se recomienda al menos dos veces al año, o aumentar el número de veces según el uso.

No.

Date

Handwriting practice lines consisting of a solid top line, a dashed midline, and a solid bottom line. The page contains 20 such sets of lines, with the first two sets pre-filled with 'No.' and 'Date' respectively. The remaining 18 sets are blank for practice.

适用型号 / Model/ Anwendbare Modelle/Применимая модель
적용사이즈 / Modelosaplicáveis / 適用モデル / Modelo aplicable: **95207/95208**

版本号 / Version No / Versionsnummer / Номер версии
버전 번호 / Versão no. / バージョン番号 / No. de versión: **V-SC-9520X-1224**

世达工具（上海）有限公司

Sata (Shanghai) Tools Co., Ltd.

Sata Werkzeuge (Shanghai) GmbH

ООО Шанхайская компания по производству инструментов SATA

사타공구 (상하이) 유한회사

Ferramentas Sata (Xangai) Co., Ltda.

世達工具（上海）有限会社

SATA Tools (Shanghai) Co., Ltd.

客户服务：上海市碧波路 177 号 3 楼

Customer service: 3F, No. 177, Bibo Road, Shanghai

Kundendienst: Etage 2, Str. 177, Bibo, Shanghai

Обслуживание клиентов: г. Шанхай, ул. Бибо, № 177, этаж 3

서비스 : 상하이시비보로 177 호 3 층

Atendimento ao Cliente: No. 177, Rua Bibo, 3o andar, Xangai

カスタマーサービス：上海市碧波路 177 号 3 階

Servicio al cliente: Piso 3 No.177 de Av. Bibo de Shanghai

邮编 / Post / Postleitzahl / Почтовый индекс / 우편번호 / Código Postal / 郵便番号 / Código postal: 201203

电话 / Tel / Tel / Тел / 전화 / Tel / 電話番号 / Teléfono: (8621) 6061 1919

传真 / Fax / Fax / Факс / 팩스 / Fax / ファックス番号 / Fax: (86 21) 6061 1918