



SATA®

J 系列 12V 锂电电钻 / 起子机

12V Li-Ion Drill/Screwdriver

Bohrapparat J Serie 12V Lithiumakku / Schlagschrauber

Электродрель/ударный шуруповёрт с литиевой батареей 12В серии J

J 시리즈 12V 리튬전지 드릴 / 발자기

Furadeira elétrica de lítio de 12V série J

J シリーズ 12V リチウム電動ドリル / ドライバー

Taladro eléctrico / desatornillador de batería de litio de 12V de serie J

51005



使用说明书 \ User's Manual \ Bedienungsanleitung \ Инструкция по эксплуатации
사용설명서 \ Manual de instruções \ 取扱説明書 \ Manual del uso





电动工具的通用安全警告：



阅读所有警告和所有说明。不遵照以下警告和说明会导致电击、着火和 / 或严重伤害。保存所有警告和说明书以备查阅。在所有下列的警告中术语“电动工具”指市电驱动（有线）电动工具或电池驱动（无线）电动工具。

通用电动工具安全警告—工作场地：

- 1) 保持工作场地清洁和明亮。混乱和黑暗的场地会引起事故。
- 2) 不要在易爆环境，如有易燃液体、气体或粉尘的环境下操作电动工具。电动工具产生的火花会点燃粉尘或气体。
- 3) 让儿童和旁观者离开后操作电动工具。注意力不集中会使操作者失去对工具的控制。

通用电动工具安全警告 - 电气安全：

- 1) 电动工具插头必须与插座相配。绝不能以任何方式改装插头，需接地的电动工具不能使用任何转换插头。未经改装的插头和相配的插座将减少触电危险。
- 2) 避免人体接触接地表面，如管道、散热片和冰箱。如果你身体接地会增加电击危险。
- 3) 不得将电动工具暴露在雨中或潮湿环境中。水进入电动工具将增加电击危险。
- 4) 不得滥用电线。绝不能用电线搬运、拉动电动工具或拔出其插头。让电动工具远离热源、油、锐边或运动部件。受损或缠绕的软线会增加电击危险。
- 5) 当在户外使用电动工具时，使用适合户外使用的外接软线。适合户外使用的软线将减少电击危险。
- 6) 如果在潮湿环境下操作电动工具是不可避免的，应使用剩余电流动作保护器（RCD）。使用 RCD 可减小电击危险。

通用电动工具安全警告—人身安全：

- 1) 保持警觉，当操作电动工具时关注从事的操作并保持清醒。当你感到疲倦，或在有药物，酒精或治疗反应时，不要操作电动工具。在操作电动工具时瞬间的疏忽会导致严重人身伤害。
- 2) 使用个人防护装置。始终配戴护目镜。安全装置，诸如适当条件下的防尘面具，防滑安全鞋，安全帽，听力防护等装置能减少人身伤害。
- 3) 防止意外启动。确保开关在连接电源和 / 或电池盒，拿起或搬运工具时处于关断位置。手指放在已接通电源的开关上或开关处于接通时插入插头可能会导致危险。
- 4) 在电动工具接通之前，拿掉所有调节钥匙或扳手。遗留在电动工具旋转零件上的扳手或钥匙会导致人身伤害。
- 5) 手不要伸展得太长，时刻注意立足点和身体平衡。这样在意外情况下能很好地控制电动工具。
- 6) 着装适当。不要穿宽松衣服或佩戴饰品。让衣服，手套和头发远离运动部件。宽松衣服，配饰或长发可能会卷入运动部件中。
- 7) 如果提供了与排屑装置，集尘设备连接用的装置，要确保他们连接完好且使用得当。使用这些装置可减少尘屑引起的危险。

通用电动工具安全警告 - 电动工具使用和注意事项：

- 1) 不要滥用电动工具，根据用途使用适当的电动工具。选用适当设计的电动工具会使你工作更有效更安全。
- 2) 如果开关不能接通或关断工具电源，则不能使用该电动工具。不能用开关来控制的电动工具是危险的且必须进行修理。
- 3) 在进行任何调节，更换附件或贮存电动工具之前，必须从电源上拔掉插头和 / 或使电池盒与工具脱开。这种防护性措施将减少工具意外启动的危险。
- 4) 将闲置不用的电动工具贮存在儿童所及范围之外，并且不要让不熟悉电动工具或对这些说明不了解的人操作电动工具。电动工具在未经培训的用户手中是危险的。
- 5) 保养电动工具。检查运动件是否调整到位或卡住，检查零件破损情况和影响电动工具运行的其他状况。如有损坏，电动工具应在使用前修理好，许多事故由维护不良的电动工具引发。
- 6) 保持切削刀具锋利和清洁。保养良好的有锋利切削刃的刀具不易卡住而且容易控制。



- 7) 按照使用说明书，考虑作业条件和进行的作业来使用电动工具，附件和工具的刀头等。将电动工具用于那些与用途不符的操作可能会导致危险。

通用电动工具安全警告—电池式工具使用和注意事项：

- 1) 只用制造商规定的充电器充电。将适用于某种电池盒的充电器用到其他电池盒时会发生着火危险。
- 2) 只有在配有专用电池盒的情况下才能使用电动工具。使用其他电池盒会发生损坏和着火危险。
- 3) 当电池盒不用时，将它远离其他金属物体，例如回形针，硬币，钥匙，钉子，螺钉或其他小金属物体，以防一端与另一端连接。电池端部短路会引起燃烧或火灾。
- 4) 在滥用条件下，液体会从电池中溅出，避免接触。如果意外碰到了，用水冲洗。如果液体碰到眼睛，还要寻求医疗帮助。从电池中溅出的液体会发生腐蚀或燃烧。

通用电动工具安全警告—维修：

- 1) 让专业维修人员使用相同的备件维修电动工具。这将保证所维修的电动工具的安全。

专业要求：

- 1) 对机器进行任何修护工作之前，都须先取出电池包。
- 2) 禁止将机器置于雨或水中。
- 3) 请勿将电池包存储于高于 40°C 的环境下。
- 4) 在 0 至 30°C 的环境下充电，理想充电温度是 18 至 24°C。
- 5) 仅限配套使用本机随附的充电器和电池包。
- 6) 避免电池包连接短路，(比如不要让螺栓，钉子等接触到电池包的正负极)。
- 7) 禁止燃烧电池包或弃之于火中，会引起爆炸。
- 8) 禁止给已损坏的电池包充电。
- 9) 如果充电器上的电源线损坏，请及时更换。
- 10) 取下电池包之前务必先拔出充电器电源插头。
- 11) 充电过程中，充电器和电池包发热属正常现象。
- 12) 不使用机器时，请勿将充过电的电池包插在充电器上。
- 13) 充电结束，请立即将电池包脱离充电器。
- 14) 机器工作时，机身和电池包都会发热，属正常现象。
- 15) 禁止将废弃电池包置于火中或随生活垃圾处理，必须送回当地收集站或回收点回收。
- 16) 在墙体、地板、天花板上拧螺钉或钻孔之前，要仔细检查是否布有电线电缆、天然气管道或者水管，以免被螺钉或钻头损坏。
- 17) 使用机器时需戴防护耳罩，否则可能导致听力受损。
- 18) 机器工作时，附件和金属部件会发烫，属正常现象。
- 19) 操作机器时，机器可能会接触到隐藏的电线，必须握住机器的绝缘表面。接触到通电导线会使机器表面的金属带电，使用者受到电击。



警告：

电池包在温度过高或过度使用的情况下，可能会发生漏液现象。如果电池漏出的液体沾到皮肤上，要先用肥皂清洗，然后用柠檬汁、醋进行冲洗；若不慎触及眼睛，应立即用清水进行冲洗，并马上去医院检查治疗。



充电器安全警告：

- 1) 使用前请阅读说明书。
- 2) 仅在室内使用，禁止置于雨或水中。
- 3) 禁止给不可充电电池充电。
- 4) 如果电源软线损坏，为避免危险，必须由制造商，其维修部或类似部门的专业人员更换。

标记：



为减少伤害，用户应仔细阅读说明书



禁止置于雨或水中



警告标记



禁止置于火中



请戴防护耳罩



请勿丢弃电池，将废旧电池送回到你当地收集或回收点回收



请戴防护眼镜



该产品机身(不包括电池包)不含有毒有害物质或元素，是绿色环保的产品，其废弃后可以回收利用，不应随意丢弃



请戴防尘面具



该产品电池包含有某些有毒有害物质。在环保使用期限内可以放心使用，超过环保使用期限之后则应该进入回收循环系统



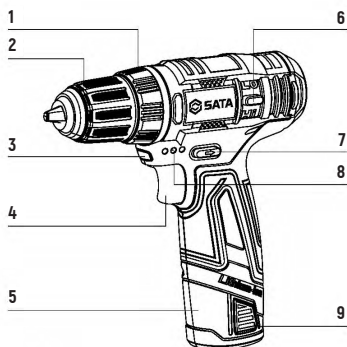
仅在室内使用

产品中有毒有害物质或元素的名称及含量：

电池	有毒有害物质或元素					
	铅 (Pb)	汞 (Hg)	镉 (Cd)	六价铬 (Cr (VI))	多溴联苯 (PBB)	多溴二苯醚 (PBDE)
	○	○	×	○	○	○
○：表示该有毒有害物质在该部件所有均质材料中的含量均在 SJ/T11363-2006 标准规定的限量要求以下						
×：表示该有毒有害物质至少在该部件的某一均质材料中的含量超出 SJ/T 11363-2006 标准规定的限量要求。(镍镉电池目前由于技术和经济原因暂时无法实现替代或减量)						

机件:

1. 扭力调节圈
2. 夹头
3. 工作灯
4. 起停开关
5. 电池包
6. 两档机械变速拨杆
7. 换向拨杆
8. 电量显示
9. 电池包锁钮


随机附件:

机器型号	内容	数量
51005	2.0 安时锂电 电池包	2
	45 分钟 充电器	1

我们建议您从所购买电动工具的商店选配您的耐件。请使用有知名品牌的高质量附件。请选择适合您工作所需的正确附件。请参考附件包装，您将获得附件使用的更多的方法及帮助。

机器规格:

机器型号	51005	
电压	12V	
空载转速	0-440/0-1450/ 转 / 分钟	
扭力调节档位	17+1	
最大转矩	30 牛顿·米	
最大夹持能力	10 毫米	
钻孔能力	钢材	8 毫米
	木材	20 毫米
机器重量	1 千克	
电池容量	2000 毫安时	
充电时间	45 分钟	

**操作指南：****注意：**

使用机器前，请仔细阅读说明书。

使用之前：

1) 充电

本充电器和机器需配套使用，严禁使用其他充电器。

本机器内设保护线路，当电池电量不足时，保护线路开启，机器停止转动。

在温度较高的环境中或者长时间使用后，机器可能会发热，这时请不要立即充电。待电池冷却后再充电，否则将缩短电池的使用寿命或者因电池过热导致无法充电。

机器首次充电时或者长时间不用后，第一次充电器效率可能只能达到 60% 左右，需经 2-3 次的充放电之后，电池效率方可达到 100%。

2) 安装 / 拆除电池包 (见图 A)

要取出电池包时，按下电池包两侧的锁钮，然后将其拉出。要插入电池包时，只要将其轻推入机器即可。切忌用力过猛。

操作：

1. 启动 / 关闭 (见图 B)：

按住开关 (1)，机器启动，松开则机器停止运转。该开关设有制动功能，松开开关后，夹头立即停止转动。在开关上的施力大小，可改变转速。改变范围在 0 至最大转速间。施力小，转速低，起钻缓慢容易控制。勿让机器因承受过大的负荷而停止运转。

**警告：**

请勿长时间低速操作，否则机器内部会产生过热反应。

2. 开关锁定 (见图 B)：

开关具有锁住保护功能，有利于减少在没有使用的情况下误启动手电钻。将转向拨杆 (2) 调节至正中位置，就可以将机器锁住。

3. 改变旋转方向 (见图 B)：

正转：把转向拨杆标有“←”一面推到底 (移至左侧)，可用于钻孔和旋入螺丝。反转：把转向拨杆标有“→”的一面推到底 (移至右侧)，可用于转松或转出螺丝。

**警告：**

机器完全静止后才可变换转向。

4. 变速 (见图 C)：

1) 将变速拨杆 (3) 向下拨动至 Lo 档转速：

高转矩 / 低转速，用于钻入较粗的钻头或者旋入螺丝。

2) 将变速拨杆 (3) 向上拨动至 Hi 档转速：

低转矩 / 高转速，用于钻入较细的钻头。

当机械变速拨杆由于齿轮撞齿而无法拨动时，轻按开关让电机旋转一下再换挡。

**警告：**

机器完全静止后才可变换转速。

5. 安装或拆卸钻头(见图 D):


注意:在安装或拆卸钻头时,一定先确认电钻是否已关掉,电池包是否已取出。

一手握住机器,另一手握住夹头套环,逆时针方向旋转来打开夹头,将钻头装入夹头,尽量将其推到底,再握紧套环顺时针旋转来固紧夹头。拆卸钻头时,握住套环逆时针旋转即可。

6. 设定扭力和钻孔功能(见图 E):

转动扭力调节圈以调节机器扭力。当扭力调节圈上的数字 1 对准机器上方的指示箭头时,扭力最小,当扭力调节圈上的标记对准机器上方的指示箭头时,扭力最大。

设定使用参考如下:

1-4	旋转小的螺丝
5-8	将螺丝旋入松软材料
9-12	将螺丝拧入松软和较坚硬材料
13-16	将螺丝旋入坚硬材料
17	旋入较大的螺丝
	高强度钻孔

7. 工作灯:

机器带有照明工作灯:当使用机器按下开关时,照明灯亮;松开,照明灯熄灭。

8. 主轴自锁:

主轴自锁功能可以使机器作为手动工具操作。在电池包电量耗尽时,可以手动旋转机器来旋紧或旋松螺钉等操作,此时,夹头是固定不动的。

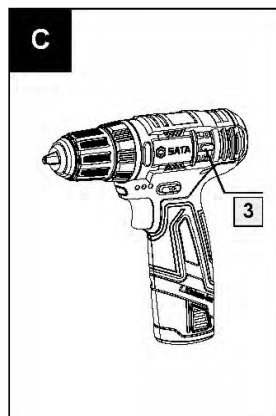
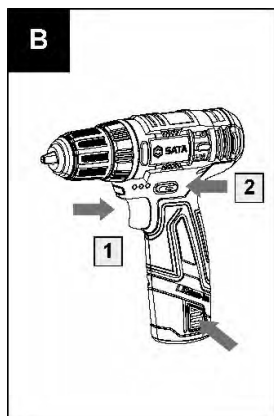
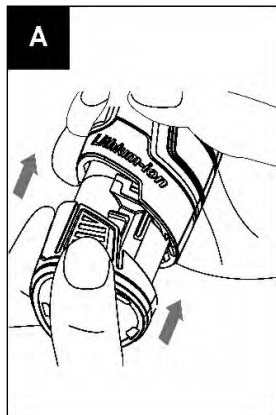


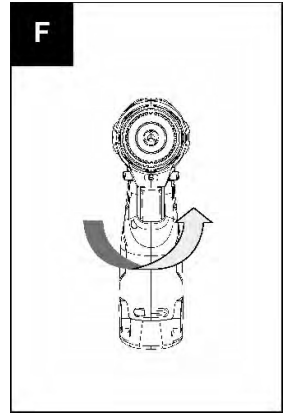
注意:

在金属材质上钻孔时,请使用完好的高速钢钻头。使用短小的螺丝批头时,请利用磁性连接杆(不含)。拧螺丝时,在螺纹上涂抹少许肥皂液或其他润滑液,以便轻松拧入。

9. 钻孔操作:

在硬质材料表面钻孔时,可先用一个尖冲头和锤子在想要钻孔的部位作一标记,以防钻头打滑。握紧手电钻,将钻头尖对准标记,按下开关进行钻孔操作。以适当的压力钻入,请勿过分施压或使用偏移的压力而使孔径变大





问题解答:

- 1) 为什么按压开关而机器却不运转？
在开关上部有一个转向拨杆。处在锁住的位置。将其拨向需要转动方向的位置，再按下按钮，机器就会开始转动。
- 2) 为什么在螺钉还未拧紧时，手电钻就停止运转？
此时请调节在机身和夹头之间的扭力调节圈。位置 1 对应的扭力最小，位置 4 对应的扭力最大。把扭力调节圈调节到更高档位就可以解决此问题了。
- 3) 为什么同一个电池包的工作时间会有长有短？
如上所说，一个电池包如果放置时间过长而不使用的话，就会缩短其工作时间，这就是充电次数问题。在经过几次充电和使用之后，这种状况就会得到改善，在干重活时，例如往硬木材里拧大螺钉，电池包的电量也会消耗的很快。不要在 0°C 以下或 45°C 以上的环境里充电，这同样会影响到电池包的工作表现。

保养与维护:

对机器作任何换修工作之前，请务必先拔出插头。

您的电动工具不需要再添加润滑油或进行其它保养。不要用水或化学清洗剂来清洗您的电动工具，用干布擦拭干净就可以了。工具需储藏在干燥的环境中，并保持马达通风口处的清洁。尽量不要在灰尘较大的环境中使用。



废弃电池包的处理:

为保护自然环境，请妥善回收或处理电池包。该电池包含有锂电池。请向当地废物处理部门咨询有关回收和（/ 或）处理的信息。通过使用手电钻把电池包电量耗尽，卸下电池包，用结实的胶布包裹好极片端口，避免短路和漏电。请勿试图打开或拆卸任何部件。



环境保护:

处理废弃物为了响应环保，对于损坏的机器、配件及包装材料必须详细加以分类处理，以便于回收。为方便分类回收，各塑胶部位都做有材料标识。



General safety warning of electric tool:



Read all warnings and instructions. Failure to follow the warnings listed below and instruction may result in electric shock, fire and/or serious injury. Keep all warnings and instruction for review. "Electric tool" in all of the following warnings refers to the electric tool driven by mains supply (wired) or the battery (wireless) .

General safety warning of electric tool - workplace:

- 1) Keep the work area clean and bright. Disordered and dark site may cause accidents.
- 2) Do not operate the electric tool in the explosive environment such as the flammable liquid, gas or dust. The spark generated by the electric tool will ignite the dust or gas.
- 3) Operate the electric tool in the event of no children and bystanders around it. Inattention may cause the operator to lose control of tool.

General safety warning of electric tool - electrical safety:

- 1) Plug of electric tool shall be supported by the socket. Never modify the plug in any way. Any change-over plug shall not be used for the electric tool to be grounded. Unmodified plug and corresponding socket will reduce the risk of electric shock.
- 2) Do not contact the grounded surface such as the pipe, cooling fin and refrigerator. If your body is grounded, the risk of electric shock will increase.
- 3) Do not expose the electric tool to the rain or moisture. Water entering the electric tool will increase the risk of electric shock.
- 4) Do not abuse the wire. Never carry, pull the electric tool with wire or pull out its plug. Keep the electric tool away from heat source, oil, sharp edges or moving parts. Damaged or entangled cords may increase the risk of electric shock.
- 5) For the outdoor application, an external cord for outdoor use shall be used. A cord suitable for outdoor will reduce the risk of electric shock.
- 6) If it is inevitable to operate the electric tool in the humid conditions, the residual current device (RCD) shall be used. RCD is able to reduce the risk of electric shock.

General safety warning of electric tool - personal safety:

- 1) Keep alert and awake when operating the electric tool. Do not operate the electric tool when you are tired or have medication, alcohol or a therapeutic response. Instantaneous negligence in the operation of electric tool may result in serious personal injury.
- 2) Wear the personal protective equipment. Always wear the goggles. Safety devices, such as the dust mask, anti-slip safety shoes, helmet, listening protection, etc., are able to reduce the personal injury.
- 3) Prevent the accidental starting. Make sure that the tool is switched off when connecting the power supply and/or battery box, picking up or carrying the tool. Putting the finger on the switch which is powered on or inserting the plug when the switch is turned on may result in the danger.
- 4) Remove all adjustment keys or wrenches before turning on the electric tool. A wrench or key left on the rotating part of electric tool may cause the personal injury.
- 5) Do not stretch your hands excessively, and always pay attention to the foothold and body balance. This provides excellent control of electric tool in unexpected situations.
- 6) Dress properly. Do not wear loose clothing or jewelry. Keep the clothes, gloves and hair away from moving parts. Loose clothes, accessories or long hair may get caught in moving parts.
- 7) If a device for connecting the chip conveyor and dust collector is provided, make sure that they are connected well and used properly. These devices are able to reduce the risk of dust.

General safety warning of electric tool - use and precautions of electric tool:

- 1) Do not abuse the electric tool and select the appropriate electric tool according to the application. The appropriately designed electric tool will make your work more efficient and safer.



- 2) The electric tool shall not be used if the switch is unable to turn on/off the power. Electric tools that cannot be controlled with switches are dangerous and shall be repaired.
- 3) Before making any adjustments, replacing the accessories or storing the electric tool, remove the plug from the power supply and/or disengage the battery box from the tool. This protective measure will reduce the risk of accidental start of tool.
- 4) Place the unused electric tool outside the reach of children, and do not let the electric tool operated by the people who are not familiar with the electric tool or who do not understand these instructions. The electric tool is a potential threat in the hands of untrained users.
- 5) Maintenance of electric tool Check whether the moving parts are in place or stuck, check the parts for damage and other conditions that affect the operation of electric tool. The damaged electric tool shall be repaired before use. Many accidents are caused by poorly maintained electric tools.
- 6) Keep the cutting tool sharp and clean. Well-maintained tools with sharp cutting edges are not easy to get stuck and easy to control.
- 7) Use the electric tool, accessories, cutter bit, etc. in accordance with the instructions, taking into account the operating conditions and works to be performed. Applying the electric tool for operations that do not match the purpose may be dangerous.

General safety warning of electric tool - use and precautions of battery tool:

- 1) Charge the battery only with the charger specified by the manufacturer. Unmatched charger and battery pack may cause the risk of fire.
- 2) Use the electric tool only if a dedicated battery box is provided. Unmatched battery pack may cause the risk of damage and fire.
- 3) When the battery box is not in use, keep it away from other metal objects, such as the clip, coin, key, nail, screw or others, to prevent one end from being connected to the other end. A short circuit at the end of battery may cause a fire.
- 4) The abuse will make the liquid splash out of the battery. Therefore, the exposure shall be avoided. In case of accidental exposure, rinse it with water. In case of splash into the eye, seek the medical assistance. Liquid spilled from the battery may cause the corrosion or burning.

General safety warning of electric tool - repair:

- 1) Have the qualified maintenance personnel to repair the electric tool with the same spare parts. This will ensure the safety of the electric tool being repaired.

Professional requirements:

- 1) Be sure to take out the battery pack before repairing the machine.
- 2) Do not place the machine in the rain or water
- 3) Do not store the battery pack above 40 ° C.
- 4) Charge the battery from 0 to 30 ° C, preferably 18 to 24 ° C.
- 5) Only use the accompanied charger and battery pack.
- 6) Avoid the short circuit of battery pack (for example: do not make the bolts and nails touch the positive and negative poles of battery pack)
- 7) Do not burn the battery pack or discard it in the fire. Otherwise, an explosion may occur.
- 8) Do not charge the damaged battery pack.
- 9) Replace the damaged power cord timely.
- 10) Be sure to pull the plug off before removing the battery pack.
- 11) During the charging, it is normal for the charger and battery pack to heat up.
- 12) When the machine is not in use, do not insert the charged battery pack into the charger.
- 13) After the charging is over, please pull the battery pack off the charger immediately.
- 14) During the operation, it is normal for the body and battery pack to heat up.
- 15) Do not put the discarded battery pack in fire or dispose it with domestic garbage, and be sure to send it to the local collection station or recycling point.



- 16) Carefully check for the cable, natural gas or water pipes before driving the screw or drilling the hole in the wall, floor and ceiling.
- 17) Wear the earmuffs when operating the machine. Otherwise the hearing may be damaged.
- 18) During the operation, it is normal for the accessories and metal parts to heat up.
- 19) The operating machine may come into contact with the hidden wires. Therefore, be sure to hold the insulating surface of machine. Contact with the live wires may electrify the metal on the surface of machine and cause an electric shock of user.



Warning:

Battery pack leakage may occur if the operating temperature is too high or the pack is excessively used. If the liquid leaking from the battery gets on the skin, wash it with soap first, then rinse it with lemon juice or vinegar. In case of contact with the eyes, rinse the eyes with clean water immediately and go to the hospital for treatment.



Safety warning of charger:

- 1) Please read the instruction before use.
- 2) Only for indoors, no rain or water
- 3) Do not charge the non-rechargeable battery.
- 4) The damaged power cord shall be replaced by the professional technician from the manufacturer, its service department or similar department.

Mark:



To reduce the damage, the user shall read the instruction carefully



Do not place the machine in the rain or water



Warning mark



Do not place it in the fire



Please wear the earmuffs



Do not discard the battery and return the used battery to the local collection or recycling point



Please wear the protective glasses



The product (excluding the battery pack) does not contain toxic or hazardous substances or elements. It is a green and environmentally friendly product. It may be recycled and shall not be discarded at will



Please wear the dust mask



The battery pack contains certain toxic and hazardous substances. It may be used safely during the environment-friendly use period. After the above period is expired, it shall be put into the recycling system



Only for indoors

The name and content of toxic or hazardous substances or elements in the product:

Battery	Toxic or hazardous substances or elements					
	Lead (Pb)	Mercury (Hg)	Cadmium (Cd)	Hexavalent chromium (Cr (VI))	Polybrominated biphenyls (PBB)	Polybrominated diphenyl ether (PBDE)
	○	○	×	○	○	○

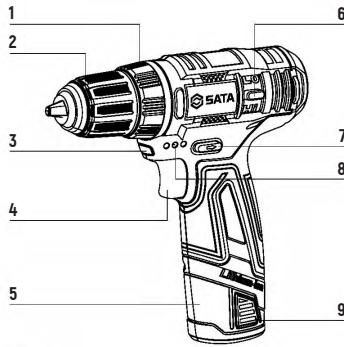


○ : the content of toxic and hazardous substance in all homogeneous materials of part is below the limit specified in the standard SJ/T11363-2006

× : the content of toxic and hazardous substance in one homogeneous material of part is above the limit specified in the standard SJ/T 11363-2006. (Currently the Ni-cadmium battery can not be replaced or reduced due to the technical and economic reasons)

Machine part:

1. Torque adjusting ring
2. Chuck
3. Work light
4. Start/stop switch
5. Battery pack
6. Two-position mechanical shift yoke
7. Reversing yoke
8. Battery level display
9. Battery pack lock button

**Accompanied accessories:**

Model	Content	Quantity
51005	2.0 Ah Li-ion battery pack	2
	45min charger	1

We recommend that you choose the accessories from the store where you purchased the electric tool. Please use the high-quality accessories from the well-known brands. Please choose the right accessory for your job. Please refer to the accessory package and you will get more methods and help for using the accessory.

Specification:

Model	51005	
Voltage	12V	
No-loading speed	0-440/0-1450/rev/min	
Torque adjustment position	17+1	
Max. torque	30 N·m	
Maximum clamping capacity	10mm	
Drilling capacity	Steel	8mm



	Wood	20mm
Machine weight		1kg
Battery capacity		2000mA
Recharge time		45min

Operation guideline**Caution:**

Please read the instruction carefully before operating the machine.

Before the use:

1) Charging

This charger and machine shall be used together. Do not use other chargers.

The machine has a protection circuit. When the battery is low, the protection circuit is turned on and the machine stops rotating.

The machine may become hot under the high temperatures or after a long period of operation. At this time, do not charge immediately but wait until the battery is cooled. Otherwise, the service life of battery will be shortened or the charging failure may be caused due to overheating.

For the first charging or after a long period of storage, the efficiency of first charging may only reach about 60%. After 2-3 charging and discharging cycles, the battery efficiency may reach 100%.

2) Installation and removal of battery pack (see Figure A)

Press the lock buttons on both sides of battery pack and pull it out. To insert the battery pack, simply push it into the machine. Avoid the excessive force

Operation**1. Start/stop (see Figure B) :**

Press and hold the switch (1) to start the machine, and release it to stop the machine. The switch has the brake function. When the switch is released, the chuck stops rotating immediately. Change the force applied to the switch to regulate the rotating speed. The range of adjustment is between 0 and the maximum rotating speed. The smaller the force is, the lower the rotating speed is. The drilling starts slowly and stably. Prevent the shutdown of machine due to the excessive load.

**Warning:**

Do not operate at low speed for a long time. Otherwise the machine will be overheating inside

2. Switch lock (see Figure B) :

The switch has the lock protection function which helps to avoid the accidental activation of the hand drill. Lock the machine by adjusting the reversing yoke (2) to the center position.

3. Rotation reversing (see Figure B) :

Forward: Push the side of reversing yoke marked with "←" to the end (left side) for drilling and screwing the screw. Reverse: Push the side of reversing yoke marked with "→" to the end (right side) for releasing or unscrewing the screw.

**Warning:**

The rotating speed can only be changed after the machine is completely still.

**4. Speed change (see Figure C):**

- 1) Move the shift yoke (3) downwards to the Lo speed:
high torque / low rotating speed for drilling a thicker bit or driving the screw.
- 2) Move the shift yoke (3) upwards to the Hi speed:
low torque / high rotating speed for drilling a thinner bit.

When the mechanical shift lever cannot be toggled due to teeth collision, tap the switch to rotate the motor and then change the position.

**Warning:**

The rotating speed can only be changed after the machine is completely still.

5. Installation or removal of bit (see Figure D):

Caution: When installing or removing the bit, be sure to confirm that the drill has been turned off and that the battery pack has been removed. Hold the machine in one hand, hold the chuck collar in the other hand, turn the chuck counterclockwise to open it, load the bit into the chuck, push it as far as possible, and then tighten the chuck by rotating the collar clockwise. Hold the collar and rotate it counterclockwise to remove the bit.

6. Torque and drill setting (see Figure E):

Rotate the torque adjusting ring to adjust the torque of machine. When the number 1 on the torque adjusting ring is aligned with the indicating arrow on the machine, the torque will be minimal. When the mark on the torque adjusting ring is aligned with the indicating arrow above the machine, the torque will be maximum.

Setting reference is as follows:

1-4	Rotate the small screw
5-8	Drive the screw into the soft material
9-12	Drive the screw into the soft or hard material
13-16	Drive the screw into the hard material
17	Drive the larger screw
	High-strength drilling

7. Work light:

Machine is equipped with the work light: when the switch is pressed, the light will come on; when it is released, light will go out.

8. Spindle self-locking:

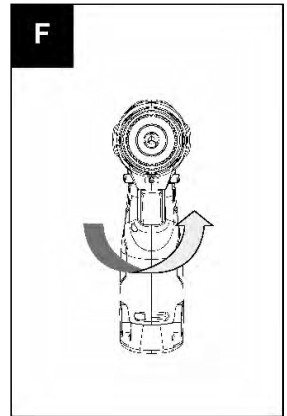
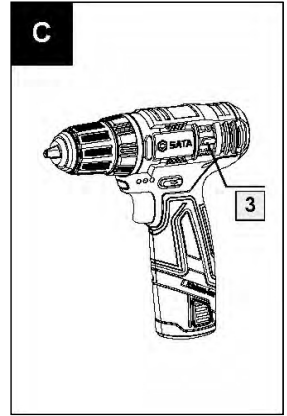
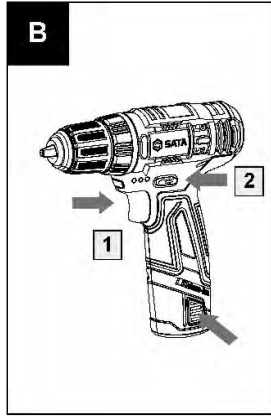
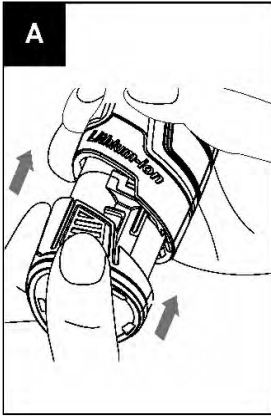
The spindle self-locking function allows the machine to operate as a hand tool. When the battery pack is exhausted, you can manually rotate the machine to tighten or loosen the screw. In this case, the chuck is stationary.

9. Drilling operation:

When drilling on the surface of hard material, first mark the area where you want to drill with the pointed punch and hammer to prevent the bit from slipping. Hold the hand drill, align the bit tip with the mark, and press the switch to drill. Drill with the appropriate pressure. Do not apply excessive pressure or deviated pressure to increase the diameter.

**Note:**

The intact high-speed steel bit shall be used for the drilling on metal. For the short screwdriver bit, use a magnetic connecting rod (not included). When tightening the screw, apply a little soap or other lubricant to the thread to facilitate the operation.

**Question and answer:**

- 1) Why does the machine not operate after the switch is pressed?

A reversing yoke is located on the upper part of switch. It is locked. Turn it to the position where the rotation is in need, and then press the button to rotate the machine.

- 2) Why does the hand drill stop when the screw has not been tightened?

In this case, adjust the torque adjusting ring between the body and chuck. The minimum torque corresponds to position 1, and the maximum torque corresponds to position xx. Setting the torque adjusting ring to a higher position can solve this problem.

- 3) Why is the service life of same kind of battery pack is different?

As mentioned above, if a battery pack is left unused for a long time, its service life may be shortened. This is the matter of charging frequency. Repeated charging and application may improve the situation. In case of heavy work, e.g. When the large screw is driven into the hardwood, the battery pack will run out soon. Do not charge in a temperature below 0 °C or above 45°C. Otherwise, the performance of battery pack will be affected.

Maintenance:

Be sure to pull off the plug before repairing or replacing the machine.

The electric tool does not require additional lubrication or other maintenance. Do not wash the electric tool with the water or chemical

cleaner. Wipe it off with a dry cloth. Tool shall be stored under the dry conditions and kept clean at the vent of motor. Try not to use it in a dusty environment.



Disposal of discarded battery pack:

To protect the natural environment, please recycle or dispose of the battery pack properly. The battery pack contains a Li-ion battery. Please consult the local waste disposal department for the information on recycling and/or disposal. Exhaust the battery pack with the hand drill, remove the battery pack, and wrap the pole port with strong tape to avoid the short circuit and leakage. Do not attempt to open or remove any part.



Environmental protection:

Disposal of waste

The damaged machine, accessories and packaging materials shall be classified in detail for recycling in line with environmental protection requirements. All plastic parts are marked with material identifications to facilitate the classification and recycling.



Allgemeine Sicherheitswarnungen für Elektrowerkzeuge:



Lesen Sie alle Warnungen und alle Anweisungen. Wenn die folgenden Warnungen und Anweisungen nicht befolgt werden, kann es zu einem Stromschlag, einem Brand und/oder einer schweren Verletzung kommen. Speichern Sie alle Warnungen und Anweisungen zur Überprüfung. In allen folgenden Warnungen bezieht sich der Begriff "Elektrowerkzeug" auf ein netzgetriebenes (verdrahtetes) Elektrowerkzeug oder ein batteriebetriebenes (drahtloses) Elektrowerkzeug.

Warnung zur Sicherheit von Elektrowerkzeug-Arbeitsplatz:

- 1) Halten Sie den Arbeitsplatz sauber und hell. Chaos und dunkle Spielstätten können Unfälle verursachen.
- 2) Werden Sie keine elektrischen Werkzeuge in explosiven Umgebungen wie brennbaren Flüssigkeiten, Gasen oder Staub. Funken aus Elektrowerkzeugen können Staub oder Gas entzünden.
- 3) Lassen Sie Kinder und Zuschauer das Elektrowerkzeug bedienen, nachdem sie gegangen sind. Mangelnde Konzentration kann dazu führen, dass der Bediener die Kontrolle über das Gerät verliert.

Warnung zur allgemeinen Elektrowerkzeugsicherheit-Elektrosicherheit:

- 1) Der Elektrowerkzeug-Stecker muss mit der Steckdose übereinstimmen. Der Stecker darf in keiner Weise modifiziert werden, und das zu erdige Elektrowerkzeug darf keinen Umrüststecker verwenden. Unmodifizierte Stecker und Paarungssteckdosen verringern das Risiko eines elektrischen Schocks.
- 2) Vermeiden Sie den Kontakt mit menschlichen Kontakten mit Erdungsflächen wie Rohren, Flossen und Kühlschränken. Wenn Ihr Körper geerdet ist, erhöht das Risiko eines elektrischen Schocks.
- 3) Stellen Sie Elektrowerkzeuge nicht Regen oder feuchten Bedingungen aus. Das Wasser, das in das Elektrowerkzeug eindringt, erhöht das Risiko eines Stromschlags.
- 4) Missbrauchen Sie keine Drähte. Verwenden Sie niemals Drähte, um Elektrowerkzeuge zu tragen, zu ziehen oder zu entkoppeln. Halten Sie Elektrowerkzeuge von Wärmequellen, Öl, scharfen Kanten oder beweglichen Teilen fern. Beschädigte oder Wundschnüre können das Risiko eines Stromschlags erhöhen.
- 5) Verwenden Sie bei der Verwendung von Elektrowerkzeugen im Freien eine für den Außeneinsatz geeignete Außenschnur. Flexible Schnüre, die für den Außeneinsatz geeignet sind, verringern das Risiko eines elektrischen Schocks.
- 6) Sollte es unausweichlich sein, das Elektrowerkzeug in einer feuchten Umgebung zu betreiben, sollte ein Reststrom-Wirkungsschutz (RCD) verwendet werden. Die Verwendung von RCD kann das Risiko eines elektrischen Schocks verringern.

Warnung für die Sicherheit von Elektrowerkzeug-Persönliche Sicherheit:

- 1) Bleiben Sie wachsam, achten Sie auf den Betrieb und bleiben Sie wach, wenn Sie das Elektrowerkzeug bedienen. Nicht mit Elektrowerkzeugen arbeiten, wenn Sie sich müde fühlen oder wenn es eine Reaktion auf Drogen, Alkohol oder Behandlung gibt. Augenblickliche Fahrlässigkeit bei Betriebsstromwerkzeugen kann schwere Personenschäden verursachen.
- 2) Nutzen Sie persönliche Schutzvorrichtungen. Tragen Sie immer eine Brille. Sicherheitsvorrichtungen wie Staubmasken unter entsprechenden Bedingungen, Schleuderschutzschuhe, Schutzhelme, Gehörschutz und andere Geräte können Personenschäden reduzieren.
- 3) Vermeiden Sie versehentlichen Start. Achten Sie darauf, dass sich der Schalter in der Ausfahrposition befindet, wenn Sie die Stromversorgung und/oder den Batteriekasten, das Abholen oder Handlingwerkzeuge anschließen. Das Einsetzen des Fingers auf einen eingeschalteten Schalter oder das Einlegen eines Steckers beim Einschalten des Schalters kann Gefahr verursachen.
- 4) Entfernen Sie alle Einstelltasten oder Schrauben, bevor das Elektrowerkzeug eingeschaltet wird. Schrauben oder Schlüssel, die auf rotierenden Teilen von Elektrowerkzeugen zurückgelassen werden, können Personenschäden verursachen.
- 5) Dehnen Sie Ihre Hände nicht zu lange, achten Sie immer auf Ihren Fuß und Ihr Gleichgewicht. So lässt sich das Elektrowerkzeug bei einem Unfall gut steuern.
- 6) Kleidung angemessen. Tragen Sie keine lockeren Kleider oder Ornamente. Kleidung, Handschuhe und Haare von beweglichen Teilen fernhalten. Lose Kleidung, Accessoires oder lange Haare können in bewegliche Teile beteiligt werden.
- 7) Wenn ein Gerät für die Verbindung mit dem Chip-Entfernungsgerät und der Staubsammelvorrichtung zur Verfügung gestellt ist,



stellen Sie sicher, dass diese ordnungsgemäß angeschlossen und verwendet werden. Der Einsatz dieser Geräte kann das Risiko durch Staub verringern.

Warnung für die Sicherheit von Elektrowerkzeugen-Einsatz und Vorkehrungen von Elektrowerkzeugen:

- 1) Missbrauchen Sie keine Elektrowerkzeuge. Verwenden Sie entsprechende Elektrowerkzeuge je nach Verwendungszweck. Die Wahl eines richtig konstruierten Elektrowerkzeugs wird Ihre Arbeit effektiver und sicherer machen.
- 2) Wenn der Schalter die Stromversorgung des Gerätes nicht ein-oder ausschalten kann, kann das Elektrowerkzeug nicht genutzt werden. Elektrowerkzeuge, die nicht über Schalter gesteuert werden können, sind gefährlich und müssen repariert werden.
- 3) Vor der Einstellung, dem Austausch von Zubehör oder der Lagerung von Elektrowerkzeugen muss der Stecker aus der Stromversorgung entfernt werden und/oder der Batteriekasten vom Gerät getrennt werden. Diese Schutzmaßnahme reduziert das Risiko einer versehentlichen Aktivierung des Werkzeugs.
- 4) Speichern Sie ungenutzte Elektrowerkzeuge außerhalb der Reichweite von Kindern und lassen Sie sich nicht von Menschen, die mit den Elektrowerkzeugen nicht vertraut sind oder diese Anweisungen nicht verstehen, die Elektrowerkzeuge bedienen. Elektrowerkzeuge sind in den Händen von ungeübten Nutzern gefährlich.
- 5) Wartung von Elektrowerkzeugen. Prüfen Sie, ob die beweglichen Teile an Ort und Stelle angepasst oder festgeklebt werden, überprüfen Sie die Beschädigung von Teilen und anderen Bedingungen, die den Betrieb von Elektrowerkzeugen beeinträchtigen. bei Beschädigungen sollte das Elektrowerkzeug vor dem Einsatz repariert werden. Viele Unfälle werden durch schlecht gewartete Elektrowerkzeuge verursacht.
- 6) Das Schneidwerkzeug scharf und sauber halten. Ein gepflegtes Werkzeug mit scharfer Schneidekante ist nicht leicht zu fangen und leicht zu steuern.
- 7) Verwenden Sie Elektrowerkzeuge, Zubehör und Werkzeugtipps entsprechend der Bedienungsanleitung unter Berücksichtigung der Betriebsbedingungen und der geleisteten Arbeit. Der Einsatz von Elektrowerkzeugen für Operationen, die nicht mit dem Zweck übereinstimmen, kann Gefahr verursachen.

Warnung für die Sicherheit von Elektrowerkzeug-Einsatz und Vorgänge für die Nutzung von Batterien:

- 1) Ladevorladung nur mit dem vom Hersteller angegebenen Ladegerät. Wenn ein Ladegerät, das für einen bestimmten Batteriekasten geeignet ist, in anderen Batteriekästen eingesetzt wird, kann eine Brandgefahr auftreten.
- 2) Das Elektrowerkzeug kann nur genutzt werden, wenn es mit einem speziellen Batteriekasten ausgestattet ist. Bei der Nutzung anderer Batteriekästen kann es zu Schäden und Brandgefahr kommen.
- 3) Wenn die Batteriekasse nicht in Gebrauch ist, halten Sie sie von anderen Metallgegenständen wie Papierklammern, Münzen, Schlüsseln, Nägeln, Schrauben oder anderen kleinen Metallgegenständen fern, um zu verhindern, dass ein Ende mit dem anderen verbunden wird. Ein Kurzschluss am Ende der Batterie kann zu Verbrennung oder Feuer führen.
- 4) Unter dem Zustand des Missbrauchs wird Flüssigkeit aus der Batterie austritt und den Kontakt vermeiden. Wenn Sie es versehentlich treffen, waschen Sie es mit Wasser. Wenn die Flüssigkeit die Augen berührt, suchen Sie ärztliche Hilfe. Die Flüssigkeit, die aus der Batterie verschüttet wird, korrodiert oder brennt.

Warnung für Elektrowerkzeug-Wartung:

- 1) Lassen Sie professionelles Wartungspersonal die gleichen Ersatzteile verwenden, um Elektrowerkzeuge zu reparieren. Dadurch wird die Sicherheit der zu warenden Elektrowerkzeuge gewährleistet.

Berufliche Anforderungen:

- 1) Der Akku-Pack muss entfernt werden, bevor Reparaturarbeiten an der Maschine durchgeführt werden können
- 2) Legen Sie die Maschine nicht in Regen oder Wasser.
- 3) Bewahren Sie das Batteriepack nicht in einer Umgebung über 40 ° C auf.
- 4) Ladung in einem Umfeld von 0 bis 30.d-egree. C. Die ideale Ladetemperatur beträgt 18 bis 24.d-egree. C.
- 5) Verwenden Sie nur das Ladegerät und das Batteriepack, das mit dieser Maschine geliefert wird.



- 6) Vermeiden Sie Kurzschluss der Batteriepack-Anbindung (z.B. keine Schrauben, Nägel, etc. mit den positiven und negativen Stöcken des Batteriepacks in Kontakt treten)
- 7) Es ist verboten, Batteriepakete zu verbrennen oder sie im Feuer aufzugeben, was zu einer Explosion führen kann.
- 8) Laden Sie beschädigte Akku-Packs nicht auf.
- 9) Wenn das Stromkabel am Ladegerät beschädigt ist, ersetzen Sie es bitte rechtzeitig.
- 10) Ziehen Sie das Ladegerät immer ab, bevor Sie das Akku-Pack entfernen.
- 11) Während des Ladevorgangs ist es normal, dass Ladegerät und Batteriepack Wärme erzeugen.
- 12) Stecken Sie das geladene Akku-Pack nicht in das Ladegerät, wenn die Maschine nicht benutzt wird.
- 13) Nach dem Aufladen ziehen Sie bitte das Akku-Pack sofort aus dem Ladegerät.
- 14) Wenn die Maschine funktioniert, wird sich der Maschinenkörper und das Batteriepack erwärmen, was ein normales Phänomen ist.
- 15) Es ist verboten, Makuladepakete in Brand zu setzen oder mit Hausmüll zu entsorgen, und sie müssen zur örtlichen Sammelstation oder zur Verwertung zurückgebracht werden.
- 16) Vor dem Schrauben oder Bohren von Löchern in Wänden, Böden und Decken wird sorgfältig geprüft, ob Drähte, Kabel, Erdgasleitungen oder Wasserleitungen verteilt werden, um Schäden durch Schrauben oder Bohrer zu vermeiden.
- 17) Tragen Sie einen schützenden Ohrmuff bei der Benutzung der Maschine, sonst kann es zu Hörverlust führen
- 18) Wenn die Maschine funktioniert, werden Zubehör und Metallteile heiß, was ein normales Phänomen ist.
- 19) Beim Betrieb der Maschine kann die Maschine mit versteckten Drähten in Berührung kommen und muss die isolierende Oberfläche der Maschine halten. Der Kontakt mit dem energetischen Draht wird das Metall auf der Oberfläche der Maschine elektrisieren und der Benutzer wird schockiert sein.



Warnung:

Das Batteriepack kann flüssig austreten, wenn die Temperatur zu hoch ist oder das Batteriepack überlastet ist. wenn die aus dem Akku durchgesickerte Flüssigkeit die Haut berührt, mit Seife und dann mit Zitronensaft und Essig waschen. Wenn Sie versehentlich die Augen berühren, sie sofort mit klarem Wasser waschen und sofort zur Untersuchung und Behandlung ins Krankenhaus gehen.



Ladewarnung:

- 1) Bitte lesen Sie die Anweisungen, bevor Sie sie verwenden.
- 2) Es wird nur im Innenbereich verwendet und darf weder in Regen noch in Wasser gelegt werden.
- 3) Laden Sie keine Akkus, die nicht aufladen können.
- 4) Ist das Stromkabel beschädigt, muss es durch Fachleute des Herstellers, seiner Wartungsabteilung oder ähnlicher Abteilungen ersetzt werden, um Gefahren zu vermeiden.

Zeichen:



Um Verletzungen zu reduzieren, sollten Nutzer die Anweisungen sorgfältig lesen



Nicht in Regen oder Wasser geben



Warnzeichen



Vom Feuer fernhalten



Bitte tragen Sie einen schützenden Ohrmuff



Keine Batterien ablegen und an Ihre lokale Sammel- oder Recyclingstelle zurückschicken



Bitte Schutzbrillen tragen



Der Produktkörper (ohne Batteriepacks) enthält keine giftigen und schädlichen Stoffe oder Elemente und ist ein grünes und umweltfreundliches Produkt, das nach dem Wegwerfen recycelt werden kann und nicht nach Belieben verworfen werden sollte



Tragen Sie bitte eine Staubmaske



Nur im Innenbereich



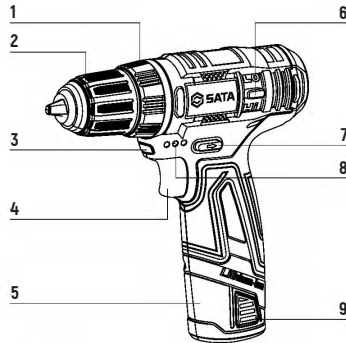
Die Batterie dieses Produktes enthält einige giftige und schädliche Stoffe. Sie kann sicher innerhalb der Lebensdauer des Umweltschutzes eingesetzt werden und sollte nach Überschreitung der Lebensdauer des Umweltschutzes in das Recyclingsystem einsteigen

Name und Inhalt von toxischen und schädlichen Stoffen oder Elementen in Produkten:

Batterie	Giftige und schädliche Stoffe oder Elemente					
	Blei (Pb)	Quecksilber (Hg)	Cadmium (Cd)	Hexavalentes Chrom (Cr (VI))	Polybromierte Biphenyle (PBB)	Polybromierter Diphenylether (PBDE)
	○	○	×	○	○	○
○ : Zeigt an, dass der Gehalt an toxischer und schädlicher Substanz in allen homogenen Materialien des Bauteils unter der im SJ/T11363-2006 festgelegten Grenze liegt.						
× : Das bedeutet, dass der Gehalt des toxischen und schädlichen Stoffes in mindestens einem homogenen Material des Bauteils die in SJ/T 11363-2006 festgelegte Grenze überschreitet. (Ni-Cd Batterie kann aus technischen und wirtschaftlichen Gründen nicht vorübergehend ersetzt oder reduziert werden.)						

Teile:

1. Torsioneinstellungsring
2. Spannkopf
3. Arbeitslampe
4. Start-Stop Schalter
5. Akkupaket
6. Zwei gängige mechanischer Schalthebel
7. Lenkhebel
8. Akkustatusanzeige
9. Sperrtaste des Akkupakets

**Zufälliger Anhang :**

Maschinenmodell	Inhalt	Menge
51005	2,0 Ampere Stunde Lithium-Akku-Pack	2
	Aufladen in 45 Minuten	1

Wir empfehlen Ihnen, Ihren Widerstandsfähige Teile aus dem Geschäft zu wählen, in dem Sie die Elektrowerkzeuge gekauft haben. Bitte verwenden Sie hochwertiges Zubehör mit bekannten Marken. Bitte wählen Sie den richtigen Anhang für Ihren Job aus. Bitte beachten Sie das Attachment-Paket und Sie erhalten weitere Methoden und Hilfe für das Attachment.

**Maschinenvorgaben:**

Maschinenmodell	51005	
Spannung	12V	
Leerlaufgeschwindigkeit	0-440/0-1450/Drehung/Minute	
Gang für Einstellung von Torsion	17+1	
Maximum torque	30 newtons-meters	
Maximale Spannfähigkeit	10 mm	
Fähigkeit von Bohrung	Stahl	8mm
	Holz	20mm
Maschinengewicht	1kg	
Batteriekapazität	2000mAh	
Ladezeit	45Minute	

Bedienungsanleitung**Hinweis:**

lesen Sie die Anweisungen sorgfältig, bevor Sie die Maschine benutzen.

Vor dem Einsatz:

1) Laden

Dieses Ladegerät und die Maschine müssen zusammen verwendet werden. Es ist verboten, andere Ladegeräte zu benutzen.

Diese Maschine ist mit einem Schutzkreis ausgestattet. Wenn die Batterie niedrig ist, wird der Schutzkreis eingeschaltet und die Maschine stoppt das Drehen.

Die Maschine kann in einer Hochtemperaturumgebung oder nach längerer Nutzung heiß werden, also bitte nicht sofort aufladen.

Warten Sie, bis sich der Akku abkühlt, sonst verkürzt er die Lebensdauer der Batterie oder die Batterie kann wegen Überhitzung nicht aufladen. Wenn die Maschine zum ersten Mal geladen oder lange nicht genutzt wird, kann der Wirkungsgrad des ersten Ladegeräts nur etwa 60% betragen, und der Akku-Wirkungsgrad kann erst nach 2-3 Zeitfahren des Lade- und Entladens 100% erreichen.

2) Akku-Pack installieren/entfernen (siehe Abbildung A)

Um das Batteriepack zu entfernen, drücken Sie die Verschlussknöpfe auf beiden Seiten des Batteriepacks und ziehen es aus. Um das Akku-Pack einzulegen, drücken Sie es einfach sanft in die Maschine. Nicht zu hart schieben.

Vorgang:**1. Start/Schließen (siehe Abbildung B) :**

Drücken und halten Sie den Schalter (1), um die Maschine zu starten und loszulassen, um die Maschine zu stoppen. Der Schalter wird nicht mit Lauf-Funktion gerüstet. Daher wird die Spannkopf gestoppt, wenn der Knopf nicht gedrückt wird. Die Kraft, die auf den Schalter angewendet wird, kann die Drehgeschwindigkeit verändern. Der Bereich der Änderung liegt zwischen 0 und der Höchstgeschwindigkeit. Kleine Kraft, geringe Drehzahl, langsames und stabiles Tripping und einfache Steuerung. Überlastung führt zum Ausfall des Geräts. Deswegen muss die Überlastung vermeiden.

**Warnung:**

Bitte die Anlage nicht in einer langen Zeit mit der niedrigen Drehung laufen lassen, da die Anlage intern überhitzt sein kann.

2. Schaltersperren (wie die Darstellung in Abbildung B) :

Der Schalter hat die Funktion der Verriegelung und des Schutzes, was vorteilhaft ist, um den Fehler zu reduzieren, den elektrischen Handbohrer zu starten, wenn er nicht in Gebrauch ist. Die Maschine kann verriegelt werden, indem der Lenkhebel (2) an die Mittelposition eingestellt wird.

3. Wechsel der Drehrichtung (wie die Darstellung in Abbildung B) :

Im Uhrzeigersinn: Die mit , ← "bezeichneter Seite des Lenkhebels wird nach unten gezogen (nach links bewegen), um die Bohrung zu durchführen oder verschrauben. Gegen den Uhrzeigersinn: Die mit , ← "bezeichneter Seite des Lenkhebels wird nach unten gezogen(nach rechts bewegen), um die Schraube zu lösen oder aufzuschrauben.

**Warnung:**

Die Maschine kann erst dann die Richtung ändern, wenn sie vollständig stationär ist.

4. Umschaltung (wie die Darstellung in Abbildung C) :

- 1) Schaltung (3) wird nach unten umgeschaltet, um die Lo-Drehung zu erreichen: hohe Drehmoment/niedrige Drehung. In diesem Fall kann der dicke Bohrer gebohrt oder verschraubt werden.
 - 2) Schaltung (3) wird nach oben umgeschaltet, um die Hi-Drehung zu erreichen: niedrige Drehmoment/höhe Drehung. In diesem Fall kann der dünne Bohrer gebohrt werden.
- Bei Berührung von zwei Zahnräder kann die Umschaltung nicht durchgeführt werden. Erste Drücken Sie den Schalter leicht und kann die Schaltung weiter umschaltet werden.

**Warnung:**

Die Schaltung kann nur beim gestoppten Motor durchgeführt werden.

5. Einbau oder Abbau von Bohrer (wie die Darstellung in Abbildung D) :


Bemerkung: Beim Einbau oder Abbau von Bohrer muss erste sicher sein, dass die elektrischen Bohrer schon ausgeschaltet und der Akkupaket schon ausgenommen werden.Das Gerät wird in einer Hand festgehalten und der Klemmring wird von anderer Hand gegen den Uhrzeigersinn gedreht, um die Spannkopf auf zu machen. Der Bohrer wird in Spannkopf eingebaut und möglich in tiefe gedrückt. Am Ende wird der Spannkopf in Uhrzeigersinn gedreht und gefestet. Beim Abbau von Bohrer ist die Drehrichtung von Klemmring gegen den Uhrzeigersinn erforderlich.

6. Einstellung der Torsion und der Funktion von Bohrung (wie die Darstellung in Abbildung E) :

Durch Drehung von Torsioneinstellungsring kann die Torsion von Gerät eingestellt werden. Wenn die Nummer 1 auf dem Torsionseinstellung mit der Pfeilspitze auf dem Rumpf ausgerichtet wird, wird die Torsion in minimalem Zustand eingerichtet; Wenn das Zeichen auf dem Torsionseinstellung mit der Pfeilspitze auf dem Rumpf ausgerichtet wird, wird die Torsion in maximalem Zustand eingerichtet.

Referenzeinstellung wird wie unten beschrieben:

1-4	Verschraubung von kleinen Schrauben.
5-8	Verschraubung der Schraube in weichen Werkstoff
9-12	Verschraubung der Schraube in weichen und harten Werkstoff
13-16	Verschraubung der Schraube in harten Werkstoff

17	Verschraubung von großen Schrauben.
	Hochfestes Bohrung

7. Arbeitslicht:

Die Maschine ist mit einer Beleuchtung Arbeitslampe ausgestattet: Wenn der Schalter mit der Maschine gedrückt wird, ist die Beleuchtung eingeschaltet; Freigabe und die Lichter gehen aus.

8. Selbstsichernde Spindel:

Mit der Funktion von Selbstsichernde Spindel kann das Gerät auch als manuelle Werkzeug angewendet werden. Beim Leerzustand des Akkus kann die Verschraubung oder Schraublosen manuell durchführt werden. Bei denen wird Spannkopf gefestet.

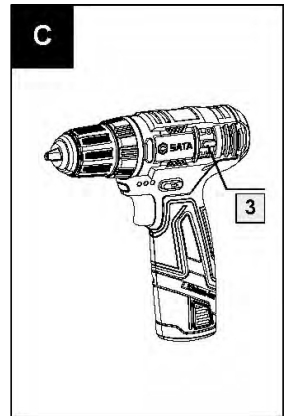
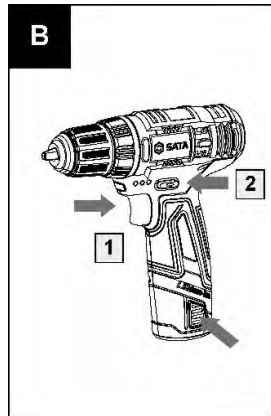
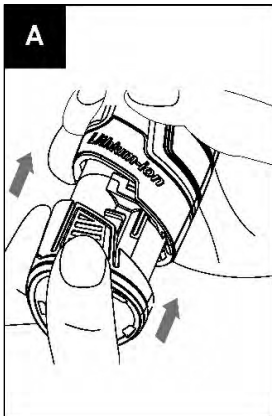
9. Bohrung:

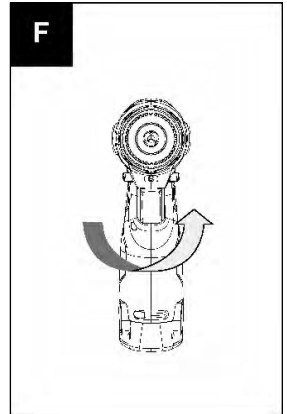
Bei der Bohrung in härte Werkstoff kann erste ein Spitzerschlag und Hammer benutzt werden, so dass eine Markierung erzeugt werden kann, um das Schlupfen von Bohrer zu vermeiden. Nachdem Festhalten von Bohrer und Ausrichtung der Spitze des Bohrers auf der Markierung kann die Bohrung beim Druck von Startknopf durchführt werden. Der angepasste Druck auf dem Bohrer ist erlaubt. Überdruck auf dem Bohrer oder Abweichung von Markierung kann zur Vergrößerung der Durchmesser von Loch führen.



Beachten:

Bei Bohrung auf Metallwerkstoff bitte der funktionsfähige Bohrer aus Schnellarbeitsstahl verwenden. Wenn Sie einen kurzen Schraubendreher-Kopf verwenden, verwenden Sie bitte eine magnetische Verbindungsstange (nicht im Lieferumfang enthalten) . Beim Schrauben ein wenig Seife oder andere Schmierflüssigkeit auf den Faden auftragen, damit er leicht eingeschraubt werden kann.




Fragen und Antworten:

- 1) Warum drücken Sie den Schalter, während die Maschine nicht läuft?
Am oberen Teil des Schalters befindet sich ein Lenkhebel. In verschlossener Position. Schalten Sie es an die Stelle, wo die Drehrichtung erforderlich ist, und drücken Sie dann den Knopf, wird die Maschine beginnen zu drehen.
- 2) Warum hört der Handbohrer auf zu funktionieren, wenn die Schrauben nicht angezogen werden? Jetzt bitte den Torsionseinstellung einstellen, der zwischen den Rumpf und Spannzange liegt. Position 1 entspricht der minimalen Torsion; Position entspricht der maximalen Torsion. Das Problem kann durch die Einstellung von Torsionseinstellungsring zu einem höheren Gang gelöst werden.
- 3) Warum funktioniert das gleiche Akku-Pack lang und kurz?
Wie oben schon besprochen kann die Leistung des Akkupakets verkürzt werden, wenn das Akkupaket in einer langen Zeit nicht benutzt wird. Das Problem kann durch mehrere Mal Aufladung gelöst werden. Das Problem kann durch mehrere Mal Aufladung und Verwendung gelöst werden. Im Fall von großer Belastung, wie z.B. Verschraubung von großem Bolzen zum harte Holz, kann die Leistung von Akkupaket auch beeinflusst werden. Laden Sie nicht in einer Umgebung unter 0 ° C oder über 45 ° C, was auch die Leistung des Batteriepacks beeinflussen wird.

Wartung und Pflege:

Achten Sie darauf, den Stecker auszuziehen, bevor Sie Ersatzarbeiten an der Maschine durchführen. Ihr Elektrowerkzeug muss nicht geschmiert oder gewartet werden. Verwenden Sie keine Wasser- oder chemischen Reinigungsmittel, um Ihre Elektrowerkzeuge zu reinigen, sondern wischen Sie sie einfach mit einem trockenen Tuch ab. Die Werkzeuge sollten in einer trockenen Umgebung gelagert und an Motorschlitzen sauber gehalten werden. Versuchen Sie nicht, es in einer staubigen Umgebung zu verwenden.


Entsorgung von Abfallbatterie-Pack:

Um die natürliche Umgebung zu schützen, recyceln oder entsorgen Sie bitte das Batteriepack. Der Akku enthält einen Lithium-Batterie. Informationen zur Verwertung und/oder Entsorgung erhalten Sie in der örtlichen Entsorgungsabteilung. Durch den Einsatz eines elektrischen Handbohrers, um das Batteriepack abzugeben, entfernen Sie das Batteriepack und wickeln Sie den Pfostenanschluss mit starkem Klebeband, um Kurzschluss und Leckagen zu vermeiden. Versuchen Sie nicht, Teile zu öffnen oder zu entfernen.


Umweltschutz:

Entsorgung von Abfällen

Um auf den Umweltschutz reagieren zu können, müssen beschädigte Maschinen, Zubehör und Verpackungsmaterialien detailliert klassifiziert werden, um das Recycling zu erleichtern. Um das Sortieren und Recycling zu erleichtern, werden alle Kunststoffteile mit Materialmarken gekennzeichnet.

Общие предупреждения о безопасности электрических инструментов:



Прочитайте все предупреждения и все описания. Невыполнение следующих предупреждений и объяснений может привести к удару, горению и / или серьезным травмам. Сохраните все предупреждения и инструкции для справки. Термины «Электрические инструменты» во всех следующих предупреждениях означают (проводные) электрические инструменты с приводом городской электросети или (беспроводные) электрические инструменты с батареей.

Общие предупреждения о безопасности электрических инструментов - рабочая площадка:

- 1) Поддержите чистоту и яркость рабочего места. Беспорядочные и темные площадки будут вызывать аварию.
- 2) Не используйте электрические инструменты во взрывоопасной среде, такие как среды с легковоспламеняющимися жидкостями, газами или пылью. Искры, вызванные электрическими инструментами, могут зажечь пыль или газ.
- 3) После того, как дети и созерцатели уходят, проводить операцию электрических инструментов. Отсутствие внимания может привести к потере контроля над инструментом.

Общие предупреждения о безопасности электрических инструментов -электрическая безопасность:

- 1) Штепсель электрических инструментов должен соответствовать розетке. Штепсель не должен быть модифицирован в любом случае, для электрических инструментов, которые должны быть заземлены, не применяются какие-либо переходные колодки. Немодифицированные штепселя и соответственные розетки сократят опасность поражения током.
- 2) Избегайте контакта человека с поверхностью земли, трубопроводами, радиаторными пластинами и холодильниками. Если вы контактируете с поверхностью земли, увеличен риск поражения током.
- 3) Не подвергайте электрические инструменты воздействию дождя или влажной среды. Попадание воды в электрические инструменты будет повышать опасность поражения электрическим током.
- 4) Не должны проводить злоупотребление электрических проводов. Никогда не перевозить, перевернуть электрические инструменты или вытянуть штепсельную вилку с помощью провода. Держите электрический инструмент подальше от источников тепла, масла, острых краев или движущихся частей. Поврежденный или обернутый шнур увеличивает риск поражения электрическим током.
- 5) При использовании электрических инструментов на открытом воздухе, используйте внешний шнур, подходящий для использования на открытом воздухе. Шнур, пригодный для использования на открытом воздухе, уменьшит риск поражения электрическим током.
- 6) Если эксплуатация электрических инструментов во влажной среде неизбежна, то следует использовать устройство защиты от остаточного тока (RCD). Использование RCD позволяет уменьшить риск поражения электрическим током.

Общие предупреждения о безопасности электрических инструментов - безопасность личности :

- 1) Сохраните бдительность, обратите внимание на операцию и оставайтесь с трезвой головой при эксплуатации электрических инструментов. Не используйте электрические инструменты, когда вы чувствуете усталость или когда у вас есть реакция на наркотики, алкоголь или лечение. Мгновенная небрежность при эксплуатации электрических инструментов приведет к серьезным телесным повреждениям.
- 2) Используйте индивидуальные защитные устройства. Всегда носите защитные очки. Устройства безопасности, такие как пылезащитные маски в соответствующих условиях, защитные ботинки, защитные шапочки, защитные шапочки, защита слуха, могут уменьшить телесные повреждения.
- 3) Предотвращение случайного запуска. Убедитесь, что выключатель находится в выключенном положении при соединении с электропитанием и / или батарейным отсеком, также при поднимании или транспортировке инструмента. Размещение пальца на выключателе, который включен, или вставка вилки при включении переключателя может привести к опасности.
- 4) Перед включением электрических инструментов снимите все регулировочные ключи или ключи. Ключи или ключи, оставленные на вращающихся частях электрических инструментов, могут привести к травмам.
- 5) Руки не должны чрезвычайно растягиваться, всегда обращайтесь внимание на точку стояния и баланс тела. При этом может хорошо контролировать электрические инструменты в непредвиденных обстоятельствах.
- 6) Одевайтесь соответствующим образом. Не носите свободную одежду или украшенные украшения. Держите одежду, перчатки и волосы подальше от движущихся частей. Свободные одежды, украшения или длинные волосы могут быть вовлечены в движущиеся части.
- 7) Если предусмотреть устройство для соединения устройства опорожнения обломка, пылеулавливателя, следует обеспечить их подключение и правильное использование. Использование этих устройств может привести к уменьшению опасности, вызванной пылью.

Общие предупреждения о безопасности электрических инструментов - использование и внимание электрических инструментов:

- 1) Не злоупотребляйте электрическими инструментами и используйте соответствующие электрические инструменты по назначению. Использование соответствующих электрических инструментов, которые разработаны надлежащим образом, позволит повысить эффективность вашей работы.
- 2) Электрический инструмент не может быть использован, если выключатель не может включить или выключить источник питания инструмента. Электрические инструменты, которые не могут быть контролированы с помощью выключателя, опасны и должны быть отремонтированы.
- 3) Необходимо отключить штепсель с электропитания и / или отсоединить от батарейного отсека, прежде чем проводить какие-либо регулировки, заменять принадлежности или хранить электрические инструменты. Эта защитная мера сократит опасность случайного запуска инструментов.
- 4) Храните неиспользуемые электрические инструменты вне досягаемости детей, и не позволяйте людям, которые не знакомы с электрическим инструментом или не знакомы с этими инструкциями, управлять электрическим инструментом. Электрические инструменты опасны в руках неподготовленного пользователя.
- 5) Обслуживание электрических инструментов. Проверьте, что движущиеся части находятся ли на правильном месте или застряли ли, проверьте повреждения деталей и другие условия, влияющие на работу электрических инструментов. Электрические инструменты должны быть отремонтированы

до использования, если есть повреждение. Многие несчастные случаи были вызваны плохим обслуживанием электрических инструментов.

- 6) Держите режущий инструмент острым и чистым. Хорошо ухоженные резцы с острыми режущими кромками трудно застревают и легко управляются.
- 7) Использование электрических инструментов, аксессуаров и ножевой головки инструментов в соответствии с инструкциями по эксплуатации, с учетом условий работы и выполненных работ. Использование электрических инструментов для тех операций, которые не соответствуют назначению, может привести к опасности.

Общие предупреждения о безопасном использовании электрических инструментов - использование и внимание инструментов с батареей:

- 1) Заряжайте только зарядными устройствами, указанными производителем. Опасность возгорания возникает при использовании зарядного устройства, подходящего для некоторого батарейного отсека, в другом батарейном отсеке.
- 2) Электрический инструмент может быть использован только при наличии специального батарейного отсека. Использование других батарейных отсеков может быть повреждено и опасности возгорания.
- 3) Когда батарейный отсек не работает, он держится подальше от других металлических объектов, таких как скрепки, монеты, ключи, гвозди, винты или другие мелкие металлические предметы, чтобы предотвратить соединение одного конца с другим концом. Короткое замыкание на конце батареи может привести к горению или пожару.
- 4) В условиях злоупотребления жидкость может выливаться из батареи и избегайте контакта. Если случайно наткнулся, промыть водой. Если жидкость попадает в глаза, обратитесь за медицинской помощью. Жидкости, выплесканные из батареи, могут вызвать коррозию или сгорание.

Общие предупреждения о безопасности электрических инструментов - ремонт :

- 1) Ремонт электрических инструментов должен производиться профессиональным ремонтным персоналом при использовании тех же запасных частей. Это обеспечит безопасность отремонтированных электрических инструментов.
- 2) Профессиональные требования.
- 3) Запрещено ставить машину в дождь или в воду.
- 4) Пожалуйста, не храните батарейный блок в условиях выше 40°C .
- 5) В окружающей среде от 0 до 30 °C , идеальная температура зарядки составляет от 18 до 24 °C .
- 6) Используйте только зарядное устройство и батарейный блок, поставляемые вместе с устройством. Избегайте короткого замыкания соединения батарейного блока (например, не позволяйте болтам, гвоздям и т. д. контактировать с положительными и отрицательными полюсами батарейного блока)
- 7) Запрещается сжигать батарейный блок или сбрасывать его в огонь, что может привести к взрыву.
- 8) Запрещается заряжать поврежденный батарейный блок.
- 9) Если линия питания на зарядном устройстве повреждена, пожалуйста, заменяйте его вовремя.
- 10) Всегда отключайте зарядное устройство перед снятием батарейного блока.
- 11) В процессе заряда батарейный блок и зарядное устройство нагреваются, это относится к нормальному состоянию.
- 12) Не подключайте заряженный аккумулятор к зарядному устройству, если вы не используете устройство.
- 13) После того, как зарядка заканчивается, пожалуйста, немедленно отсоедините батарейного блока

от зарядного устройства.

- 14) При работе устройства батарейный блок и зарядное устройство нагреваются, это относится к нормальному состоянию.
- 15) Запрещается помещать отработанные батарейные блоки в огонь или утилизировать их вместе с бытовыми отходами, которые должны быть возвращены в местные пункты сбора или переработки.
- 16) Тщательно проверьте, существуют ли провод, кабель, газопровод или водопроводные трубы, прежде чем закрутить винт или сверлить отверстие на стенах, на полу или на потолке.
- 17) Нужно носить защитные наушники при использовании машин, в противном случае может привести к повреждению слуха.
- 18) При работе машины, принадлежности и металлические части будут нагреваться, это относится к нормальному состоянию.
- 19) При эксплуатации машины, машины могут связаться со скрытыми проводами и должны удерживать изоляционную поверхность машины. Контакт с токоведущим проводом приведет к электризации поверхностного металла машины, поражение электрическим током потребителя.



Предупреждение:

Утечка может произойти в случае слишком высокой температуры или чрезмерного использования батарейного блока. Если жидкость, вытекающая из батареи, попадает на кожу, сначала промойте её мылом, а затем промойте её лимонным соком и уксусом; при случайном попадании в глаза следует немедленно промыть водой и немедленно обратиться в больницу для проверки и лечения.



Предупреждение о безопасности зарядного устройства:

- 1) Пожалуйста, прочитайте инструкцию по эксплуатации перед использованием.
- 2) Только можно использовать в помещении, запрещается помещать в дождь или воду.
- 3) Запретить зарядку незаряженных аккумуляторов.
- 4) В случае повреждения гибкого провода электропитания, во избежание опасности, необходимо заменить его изготовителем, его отделом обслуживания или аналогичным специалистом.

Отметка:



Для того, чтобы уменьшить вред, пользователь должен прочитать инструкцию



Запрещено ставить машину в дождь или в воду



Предупреждающий знак



Запрещено ставить машину в огонь



Пожалуйста, наденьте защитные наушники



Не выбросьте батареи, отправляйте использованные батареи обратно в местную точку сборки или точки восстановления для рекуперации



Пожалуйста, наденьте защитные очки.



Корпус данного продукта (не включая батарейный блок) не содержит токсические и вредные вещества или элементы. Данные продукты представляют собой зеленые экологические продукты, брошенные продукты могут быть повторно использованы, не должны быть свободно выброшены



Пожалуйста, наденьте маску защиты от пыли



Только можно использовать в помещении



Батарея этого продукта включает в себя некоторые токсичные и вредные вещества. Вы можете спокойно использовать в срок охраны окружающей среды. По истечении срока охраны окружающей среды, продукты должны войти в систему рециркуляции

Наименование и содержание токсичных и вредных веществ или элементов в продукте:

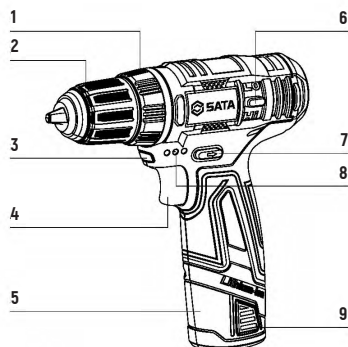
Батарея	Токсичные или вредные вещества или элементы					
	Свинец (Pb)	Ртуть (Hg)	Кадмий (Cd)	Шестивалентный кадмий (Cr (VI))	Многобромистый дифенил (PBB)	Полибромистый дифенил илэфир (PBDE)
	○	○	×	○	○	○

○ : указывает на то, что содержание этого токсичного и опасного вещества во всех гомогенных материалах этой части находится в пределе ограниченного количества, представленном стандартом SJ / T11363-2006

×: указывает на то, что содержание токсичного вещества и опасного вещества по крайней мере в каком-то однородном материале этой части превышает предельное требование, указанное в SJ / T11363-2006. (Никель-кадмиевые батареи в настоящее время временно не могут быть заменены или уменьшены по техническим и экономическим причинам)

Части машины:

1. Кольцо регулировки вращающего момента
2. Зажимка
3. Рабочая лампа
4. Переключатель для запуска и остановки
5. Батарейный блок
6. Двухступенчатый механический рычаг переключения передач
7. Реверсионный рычаг
8. Индикация количества электричества
9. Кнопка блокировки батарейного блока



Сопроводительные принадлежности :

Модель машины	Содержание	Количество
51005 шт	Блок литиевой батареи 2,0 Ач	2 шт
	Зарядное устройство на 45 минут	1 шт

Мы рекомендуем вам купить аксессуары в магазине, где вы покупаете электрические инструменты.

Пожалуйста, используйте высококачественные аксессуары с известным брендом. Пожалуйста, выберите правильные аксессуары, которые подходит для вашей работы. Пожалуйста, обратите внимание на упаковку аксессуаров, вы получите больше средств и помощи в использовании аксессуаров.

Спецификация машины:

Модель машины		51005 шт
Напряжение		12V
Скорость вращения при холостом ходе		0-440/0-1450/об/мин.
Передача для регулировки вращающего момента		17+1
Максимальный вращающий момент		30 Н·м
Максимальная удерживающая способность		10 мм
Способность к бурению	Стальные материалы	8мм
	Древесные материалы	20мм
Вес машины		1 кг
Емкость батареи		2000 мА·ч
Время заряда:		45 мин.

Руководство по эксплуатации:



Внимание:

Пожалуйста, внимательно читайте инструкцию перед использованием машины.

Перед использованием:

1) Зарядка

Данное зарядное устройство и машина должны быть применены вместе, строго запрещено использование других зарядных устройств. Эта машина оборудована линией защиты, когда количество батареи недостаточно, линия защиты начнет работать, и машина остановится. Машина может нагреться, когда она работает в условиях более высокой температуры, или в течение длительного времени. При этом не заряжайте сразу, можно проводить зарядку после охлаждения батареи. В противном случае, может привести к сокращению срока службы батареи или отсутствию возможности зарядки из-за перегрева батареи.

После того, как машина впервые заряжается или не работает в течение длительного времени, эффективность батареи при первой зарядке может достигать только около 60%, после 2-3 раз зарядки и разрядки, эффективность батареи может достигать 100%.

2) Монтаж / демонтаж батарейного блока (см. рис. А)

При вынимании батарейного блока, нажмите кнопку блокировки на обеих сторонах батарейного блока и вытяните его. При вставке батарейного блока, просто нажмите его в машину. Не нужно

слишком сильно нажать.

Операция:

1. Запуск / выключение (см. рис. В) :

Нажмите выключатель (1) , запуск машины, и машина остановилась при ослаблении выключателя. Этот переключатель имеет тормозную функцию, при ослаблении выключателя, зажимка немедленно прекратит вращение. Размер силы, приложенной на переключателе, может изменить скорость вращения. Диапазон изменения составляет от 0 до максимальной скорости. При приложении небольшой силы, то скорость вращения низкая и бурение медленное и стабилизированное и операция легкая. Не позволяйте машине перестать работать из-за чрезмерной нагрузки.



Предупреждение:

Пожалуйста, не проводите низкоскоростную операцию в течение долгого времени, в противном случае внутренняя часть машины произведет перегретую реакцию.

2. Блокировка выключателя (см. рис. В) :

Выключатель имеет защитную функцию блокировки, может помочь уменьшить количество неправильного запуска ручной электродрели при отсутствии использования. Регулируйте поворотный рычаг (2) к центральному положению, чтобы заблокировать машины.

3. Изменение направления вращения (см. рис. В) :

Прямое вращение: нажмите сторона поворотного рычага с отметкой « ← » до конца (перемещение до левой стороны) , при этом инструмент может быть использован для сверления и свинчивания винта. Обратное вращение: нажмите сторона поворотного рычага с отметкой « → » до конца (перемещение до правой стороны) , при этом инструмент может быть использован для ослабления и отвертывания винта.



Предупреждение:

Направление машины может быть изменено после полной остановки машины.

4. Изменение скорости (см. рис. С) :

- 1) Нажмите рычаг переключения скоростей (3) вниз до передачи L0:
Высокий вращающий момент / низкая скорость вращения, при этом инструмент может быть использован для сверления толстой бурильной головки или свинчивания винта.
- 2) Нажмите рычаг переключения скоростей (3) вверх до передачи H1:
Низкий вращающий момент / высокая скорость вращения, при этом инструмент может быть использован для сверления тонкой бурильной головки.

Когда механический рычаг переключения передач не может переключаться из-за столкновения зубьев шестерни, нажмите на переключатель, чтобы двигатель вращался, а затем переключить передачу.



Предупреждение:

Скорость машины может быть изменена после полной остановки машины.


5. Установка или разборка буровой головки (см. рис. D) :

Внимание: при монтаже или демонтаже буровой головки, необходимо убедиться в том, что электрическая дрель выключается, и батарейный блок вынимается. Одна рука держит машину, другая рука держит коуш зажимки, откройте зажимку с помощью вращения против часовой стрелки, установите бурильную головку в зажимку, попробуйте нажать его до конца. Затем держите коуш и закрепите зажимку с помощью вращения по часовой стрелке. При демонтаже бурильной головки, удерживайте коуш и вращайте против часовой стрелки.

6. Настройка крутящего момента и функции сверления (см. рис. E):

Поверните кольцо регулировки крутящего момента, чтобы отрегулировать крутящий момент машины. Когда номер 1 на кольце регулировки вращающего момента выровнен со стрелкой индикации над машиной, вращающий момент минимален. Когда метка на кольце регулировки вращающего момента выровнена со стрелкой индикации над машиной, вращающий момент максимален.

Справочный метод настройки показан ниже :

1-4	Вращайте маленькие винты
5-8	Привинтите винт в мягкие материалы
9-12	Привинтите винт в мягкие и относительные твёрдые материалы
13-16	Привинтите винт в твёрдые материалы
17 шт	Привинтите относительные большие винты
	Сверление с высокой интенсивностью

7. Рабочая лампа:

Машина оборудована рабочим светильником: когда нажать выключатель при использовании машины, светильник загорается; при ослаблении выключателя, светильник гаснет.

8. Самоблокировка основного вала:

По причине функции самоблокировки основного вала, машина может использоваться в качестве ручного инструмента. В случае истощения количества электричества батарейного блока, вы можете вручную вращать машину, чтобы затянуть или ослабить винты и выполнить другие операции. При этом зажимка неподвижна.

9. Операция сверления :

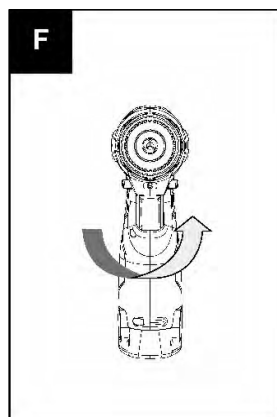
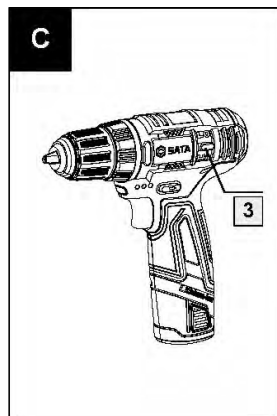
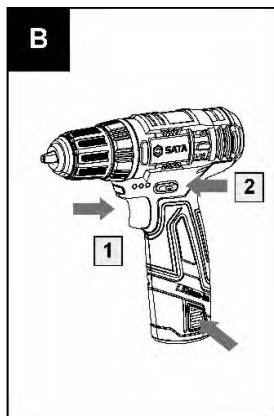
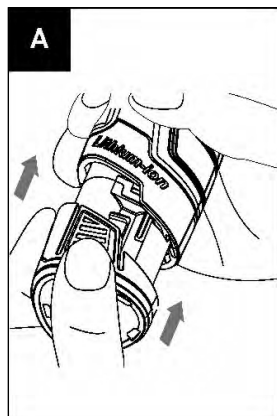
При бурении на металлических материалах, пожалуйста, используйте исправную высокоскоростную стальную бурильную головку. При использовании коротких винтовых головок, пожалуйста, используйте магнитный соединительный стержень (не включен) . При завинчивании винтов покрыть резьбу небольшим количеством мыльной жидкости или другой смазочной жидкости, чтобы легко



Внимание :

При бурении на металлических материалах, пожалуйста, используйте исправную высокоскоростную стальную бурильную головку. При использовании коротких винтовых головок, пожалуйста, используйте магнитный соединительный стержень (не включен) . При завинчивании винтов покрыть резьбу небольшим количеством мыльной жидкости или другой смазочной жидкости, чтобы легко выполнить свинчивание винтов.

ВЫПОЛНИТЬ СВИНЧИВАНИЕ ВИНТОВ:



Ответ на вопросы:

- 1) Почему машина не работает при нажатии выключателя?
 В верхней части переключателя есть один реверсионный рычаг. Находится в положении блокировки. Регулируйте его на место, где нужно вращаться, и нажмите кнопку, и машина начнет вращаться.
- 2) почему ручная электрическая дрель перестало работать, когда винт еще не завинчен?
 Пожалуйста, регулируйте кольцо регулировки вращающего момента между корпусом инструмента зажимкой. Положение 1 соответствует минимальному крутящему моменту, положение соответствует максимальному крутящему моменту. Эта проблема может быть решена при регулировании кольца регулировки вращающего момента до более высокой передачи.
- 3) Почему время работы одного и того же батарейного блока разное?
 Из всего сказанного выше, если батарейный блок не используется и помещается в течение длительного времени, сократит его время работы. Данная проблема не может быть устранена с помощью зарядки. После нескольких зарядок и использований, эта ситуация улучшится. При тяжелой работе, например, привинчивать большие винты в твердую древесину, количество

электричества батарейного блока также быстро расходуется. Не заряжайте в окружающей среде ниже 0 или выше 45 градусов, это также влияет на работу батарейного блока.

Техническое обслуживание :

Перед любым ремонтом машины, пожалуйста, вытяните вилку.

Ваш электрический инструмент не требует дополнительного добавления смазки или другого технического обслуживания. Не следует очистить электрический инструмент от воды или химического моющего средства, можно обтирать сухой тряпкой. Инструменты должны храниться в сухой окружающей среде и вентиляционные отверстия двигателя должны быть чистыми. Старайтесь не использовать в пыльных средах.



Утилизация брошенных батарейных блоков:

Чтобы защитить природную среду, пожалуйста, повторно используйте или утилизируйте батарейный блок правильно. Батарейный блок содержит литиевые батареи.

Пожалуйста, проконсультируйтесь с местным отделением по утилизации отходов для получения информации об утилизации и (или) обработки. Разгрузите количество электричества батарейного блока с помощью использования ручной электрической дрели. Снимите батарейный блок, обматывайте концы полюса прочными резиновыми лентами, чтобы избежать короткого замыкания и утечки. Пожалуйста, не пытайтесь открывать или разбирать какие-либо части.



Охрана окружающей среды :

Утилизация отходов

Для того, чтобы реагировать политику охраны окружающей среды, поврежденные машины, принадлежности и упаковочные материалы должны быть расклассифицированы подробно для облегчения рекуперации. Для удобства классификации и утилизации, все пластмассовые места маркируются.



전동 공구의 통용된 안전 경고 :



모든 경고와 모든 설명을 읽는다. 다음 경고와 설명을 따르지 않으면 전기 충격, 화재 및 / 또는 심각한 부상을 초래할 수 있다. 참조를 위해 모든 경고와 설명서를 저장한다. 모든 다음의 경고에서 용어 "전동 공구"는 시전 구동 (유선) 전동 공구 또는 배터리 구동 (무선) 전동 공구를 가리킨다.

범용 전동 공구 안전 경고 - 작업장 :

- 1) 작업장을 청결하고 밝게 유지한다. 혼란하고 어두운 장소는 사고를 일으킬 수 있다.
- 2) 폭발하기 쉬운 환경, 인화성 액체, 가스 또는 분진이 있는 환경에서 전동 공구를 조작하지 마신다. 전동 공구에서 발생하는 불꽃은 분진이나 가스에 점화된다.
- 3) 어린이와 방관자를 내보낸 후 전동 공구를 조작한다. 주의가 집중되지 않으면 작업자가 공구에 대한 제어를 잃게 된다.

통용된 전동 공구 안전 경고 - 전기 안전 :

- 1) 전동 공구 플러그는 반드시 콘센트와 잘 맞아야 한다. 플러그를 어떤 방식으로든 교체해서는 안 되며 접지해야 하는 전동 공구에는 어떠한 전환 플러그도 사용할 수 없다. 개조되지 않은 플러그와 맞춤 콘센트는 감전 위험을 감소시킨다.
- 2) 배관, 라디에이터 및 냉장고와 같이 인체가 접지 표면에 접촉하지 않도록 한다. 몸이 접지되면 전기 충격 위험이 증가한다.
- 3) 전동 공구를 비에 노출시키거나 습한 환경에서는 안 된다. 물이 전동 공구에 들어가면 전기 충격 위험이 증가한다.
- 4) 전선을 남용해서는 안 된다. 절대로 전선으로 운반하여 전동 공구를 당기거나 그 플러그를 뽑아서는 안 된다. 전동 공구를 열원, 오일, 예변 또는 운동 부품에서 멀리 떨어지게 한다. 손상되거나 감긴 연선은 전기 충격 위험을 증가시킨다.
- 5) 옥외에서 전동 공구를 사용할 때 옥외에 적합한 외접 연선을 사용한다. 야외용으로 적합한 연선은 전기 충격 위험을 줄여준다.
- 6) 습한 환경에서 전동 공구를 조작하는 것이 불가피하다면, 잔여 전류 동작 보호기 (RCD) 를 사용해야 한다. RCD 를 사용하면 전기 충격 위험을 줄일 수 있다.

통용된 전동 공구 안전 경고 - 인신 안전 :

- 1) 경각심을 갖고 전동공구를 조작할 때 중사하는 조작에 주의를 기울여 정신을 차린다. 피곤함을 느끼거나 약물, 알코올 또는 치료 반응이 있을 때 전동 공구를 조작하지 마신다. 전동 공구를 조작할 때 순간적인 부주의는 심각한 인신 상해를 초래할 수 있다.
- 2) 개인 보호 장치를 사용한다. 고글을 시중 착용한다. 안전장치, 적절한 조건에서의 방진면, 미끄럼 방지용 안전도, 청력보호 등의 장치는 인체의 상해를 줄여준다.
- 3) 불의의 기동을 방지한다. 스위치가 전원과 / 또는 배터리 박스를 연결하고 공구를 들어 올리거나 운반할 때 차단 위치에 있도록 한다. 손가락을 이미 전원을 연결한 스위치에 놓거나 스위치가 연결 위치에 있을 때 플러그를 삽입하면 위험할 수 있다.
- 4) 전동 공구가 연결되기 전에 모든 조절 키 또는 렌치를 가져온다. 전동 공구의 회전 부품에 남겨진 렌치나 키는 인신 상해를 초래할 수 있다.
- 5) 손을 너무 길게 뻗지 말고 항상 입축점과 몸의 균형에 주의한다. 이렇게 하면 예기치 않은 상황에서 전동 공구를 잘 제어할 수 있다.
- 6) 적당한 옷차림. 헐렁한 옷을 입거나 액세서리를 착용하지 마신다. 옷, 장갑 그리고 머리카락을 운동 부품에서 멀리 떨어지게 한다. 헐렁헐렁한 옷, 장신구 또는 긴 머리카락이 운동 부품에 말려들 수 있다.
- 7) 배설장치, 집진장치와의 연결용 장치를 제공하였을 경우 이들이 잘 연결되고 적절하게 사용되도록 해야 한다. 이러한 장치를 사용하면 먼지로 인한 위험을 줄일 수 있다.

**통용된 전동 공구 안전 경고 - 전동 공구 사용과 주의 :**

- 1) 전동공구를 남용하지 말고 용도에 따라 적절한 전동공구를 사용한다. 적절히 설계된 전동 공구를 선택하여 사용하는 것은 일을 더욱 효과적이고 안전하게 할 것이다.
- 2) 스위치가 공구의 전원을 연결하거나 끌 수 없으면 이 전동 공구를 사용할 수 없다. 스위치로 제어할 수 없는 전동 공구는 위험하며 수리해야 한다.
- 3) 어떤 조절, 첨부 파일 교체 또는 전동 공구 저장에 앞서 반드시 전원에서 플러그와 / 또는 배터리 케이스와 공구를탈거해야 한다. 이러한 방호적 조치는 공구가 의도치 않게 작동할 위험을 감소시킨다.
- 4) 사용하지 않는 전동 공구를 어린이가 사용할 수 있는 범위 밖에 저장하고 전동 공구에 익숙하지 않거나 이러한 설명에 익숙하지 않은 사람이 전동 공구를 조작하지 않도록 한다. 전동 공구는 훈련되지 않은 사용자에게는 위험하다.
- 5) 전동 공구를 정비한다. 운동 부품이 제 위치에 놓이거나 끼여있는지 점검하고, 부품 파손 상황과 전동 공구 작동에 영향을 미치는 기타 상황을 점검한다. 에 손상이 있는 경우, 전동 공구는 사용 전에 수리되어야 하며 많은 사고가 정비 불량 전동 공구에 의해 발생한다.
- 6) 절삭 공구를 날카롭고 청결하게 유지한다. 손질이 잘 된 날카로운 날을 가진 칼은 잘 끼지 않고 잘 통제된다.
- 7) 사용설명서에 따라 작업조건과 진행한 작업을 고려하여 전동공구, 부속문서 및 공구의 커터 등을 사용한다. 전동 공구를 용도에 맞지 않는 조작에 사용하면 위험할 수 있다.

통용된 전동 공구 안전 경고 - 배터리식 공구 사용과 주의 사항 :

- 1) 제조자가 규정한 충전기로만 충전한다. 어떤 배터리 팩에 적용되는 충전기를 다른 배터리 팩에 사용할 경우 화재 위험이 발생한다.
- 2) 전용 배터리 팩이 장착된 경우에만 전동 공구를 사용할 수 있다. 다른 배터리 박스를 사용하면 손상과 화재 위험이 발생한다.
- 3) 배터리 박스가 사용하지 않을 때, 이것을 다른 금속 물체, 예를 들어 회형 바늘, 동전, 열쇠, 못 나사 또는 다른 작은 금속 물체로부터 멀리하여 한쪽 끝을 다른 쪽 끝과 연결하지 않도록 한다. 배터리 측 단락은 연소 또는 화재를 일으킬 수 있다.
- 4) 남용 조건에서는 액체가 배터리에서 튀어나와 접촉을 피한다. 뜻하지 않게 닿았을 경우 물로 씻어낸다. 액체가 눈에 닿으면 의료 도움도 구해야 한다. 배터리에서 튀긴 액체는 부식되거나 연소될 수 있다.

통용된 전동 공구 안전 경고 - 보수 :

- 1) 전문 정비사가 동일한 비품을 사용하여 전동 공구를 수리하도록 한다. 이것은 정비된 전동 공구의 안전을 보장할 것이다.

전문적인 요구 :

- 1) 기계에 어떤 리페어 작업을 하기 전에 반드시 배터리 팩을 꺼내야 한다.
- 2) 기계를 비나 물에 두는 것은 금지한다.
- 3) 배터리 팩을 40° C 보다 높은 환경에 저장하지 마신다.
- 4) 0 에서 30° C 의 환경에서 충전하면 이상적인 충전 온도는 18 에서 24° C 이다.
- 5) 본 기계에 동봉된 충전기와 배터리 팩을 세트로만 사용할 수 있다.
- 6) 배터리 팩 연결 단락을 피한다, (예를 들어 볼트, 못 등이 배터리 팩의 양 음극에 닿지 않도록 한다)
- 7) 배터리 팩의 연소를 금지하거나 불에 버리면 폭발한다.
- 8) 파손된 배터리 팩의 충전이 금지된다.
- 9) 충전기의 전원 코드가 손상되면 즉시 교체한다.
- 10) 배터리 팩을 제거하기 전에 반드시 충전기 전원 플러그를 탈거해야 한다.
- 11) 충전 중에 충전기와 배터리팩 발열은 정상이다.
- 12) 기계를 사용하지 않을 때는 충전된 배터리 팩을 충전기에 꽂지 마신다.
- 13) 충전이 끝나면 배터리 가방을 즉시 충전기에서 빼신다.



- 14) 기계 작업 시에는 동체와 배터리 팩이 모두 발열하는 정상적인 현상이다.
- 15) 폐배터리 가방을 불 속에 두거나 생활쓰레기 처리에 따라 반드시 현지 수집소로 돌려보내거나 회수점에서 회수된다.
- 16) 벽체, 바닥, 천장에서 나사를 조이거나 구멍을 뚫기 전에 나사 또는 드릴에 손상되지 않도록 배선 케이블, 가스 파이프 또는 호스가 있는지 주의 깊게 점검한다.
- 17) 기기 사용 시 보호 귀마개를 착용해야 하는 경우 청력이 손상될 수 있다.
- 18) 기계 작업 시 부속문서와 금속 부품이 뜨거우며 정상적인 현상이다.
- 19) 기계를 조작할 때 기기가 숨겨진 배선에 접촉할 수 있으므로 기기의 절연 표면을 반드시 잡고 있어야 한다. 통전도선에 닿으면 기계 표면의 금속이 전기를 띠게 되어 사용자가 전기 충격을 받게 된다.



경고:

배터리 팩은 온도가 너무 높거나 과도하게 사용되는 경우 리크가 발생할 수 있다. 배터리에서 누출된 액체가 피부에 묻으면 비누로 먼저 씻은 후 레몬즙, 식초로 헹군다; 눈에 거슬리면 즉시 물로 씻어내고 즉시 병원에 가서 치료를 받아야 한다.



충전기 안전경고:

- 1. 사용하기 전에 설명서를 읽으신다.
- 2. 실내에서만 사용되며 비나 물에는 금지된다.
- 3. 충전 불가능한 배터리의 충전을 금지한다.
- 4. 전원 업선이 손상되면 위험을 피하기 위해 제조업체, 그 정비부 또는 유사한 부서의 전문 인력 이 교체해야 한다.

표기:



상해를 줄이기 위해 사용자는 설명서를 주의 깊게 읽어야 한다



비나 물에는 금지한다



경고 표시



불 속에 들어가는 것을 금한다



보호 귀마개를 착용하신다



배터리를 버리지 마시고 폐배터리를 당신의 현지 수집 또는 회수 지점으로 되돌려 보내어 회수한다



보호 안경을 쓰신다



이 제품 본체 (배터리 가방 제외) 는 유독성 유해 물질이나 원소가 함유되어 있지 않으며 친환경적인 제품으로 폐기 후 재활용이 가능하며 함부로 버리지 말 것이다



방진 마스크를 쓰신다



이 제품 배터리는 어떤 유독성 유해 물질을 포함하고 있다. 친환경 사용 기간 동안은 안심하고 사용할 수 있으며, 친환경 사용 기간이 경과한 후에는 회수 루프 시스템에 들어가야 한다



실내에서만 사용한다

제품에 유독성 유해 물질 또는 원소의 이름 및 함량 :

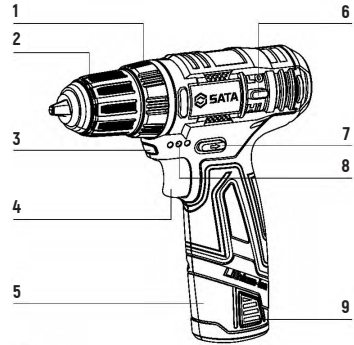
배터리 리다	유독유해물질 원소표					
	납 (Pb)	수은 (Hg)	카드뮴 (Cd)	6가 크롬 (Cr (VI))	다브롬렌 (PBB)	다브롬 디페닐에테르 (PBDE)
	○	○	×	○	○	○

○: 은 이 유독성 유해물질이 이 부품의 모든 균질재에 함유되어 있는 함량이 SJ/T11363-2006 표준에서 정한 제한량 요구사항 이하임을 나타낸다 .

×: 는 해당 유독성 유해물질이 최소한 이 부품의 어떤 균질재료에 함유되어 있는 함량이 SJ/T 11363-2006 표준에서 정한 제한량을 초과함을 나타낸다 . (니켈 카드뮴 배터리는 현재 기술과 경제적인 이유로 당분간 대체 또는 감량화가 불가능하다)

부품 :

1. 토크 조절 루프
2. 클램프
3. 작업등
4. 이중정지 스위치
5. 전지 팩
6. 2 단 기계 변속 레버
7. 방향 전환 레버
8. 전량 표시
9. 전지백 락



램던 부가품 :

기계 모델	내용	수량
51005	2 2.0 암페어시 리튬 전지 팩	2
	45 분 충전기	1

우리는 당신이 전동 공구를 구매하는 상점에서 당신의 내결함품을 선택하여 매칭할 것을 건의한다 . 유명 브랜드가 있는 고품질의 첨부 파일을 사용하신다 . 귀하의 작업에 적합한 올바른 첨부 파일을 선택하신다 . 첨부 파일 패키지를 참조해 주시면 첨부 파일을 사용하는 더 많은 방법 및 도움을 받으실 수 있다 .

기계 규격 :

기계 모델	51005
전압	12V
공재 회전 속도	0-440/0-1450/ 회전 / 분



토크 조절 기어 위치		17+1
최대 토크 컨버터		30 뉴턴·미터
최대 클램프 능력		10 밀리미터
드릴 능력	강재	8 밀리미터
	목재	20 밀리미터
기계 중량		1 킬로그램
배터리 용량		2000 밀리암시
충전 시간		45 분

오퍼레이션 가이드 :

주의: 기계를 사용하기 전에 설명서를 주의 깊게 읽으십시오.

사용하기 전에 :**1) 충전한다.**

본 충전기와 기기는 세트로 사용해야 하며, 다른 충전기의 사용은 엄격히 금지됩니다.

본 기계에는 배터리 전력량이 부족할 때 보호회선이 켜지고 기계가 회전을 멈추도록 보호회선이 내장되어 있다. 온도가 높은 환경에서 또는 장시간 사용 후 기기가 뜨거울 수 있으므로, 이때 즉시 배터리를 충전하지 마십시오. 배터리가 식은 후에 재충전하면 배터리의 수명을 단축시키거나 배터리 과열로 인해 충전이 불가능하게 된다. 기기가 처음 충전될 때나 장기간 사용하지 않을 경우 첫 충전기 효율이 60% 정도일 수 있으며, 2-3 회의 충전을 거쳐야 배터리 효율이 100%가 된다.

2) 배터리 팩 장착 / 제거 (그림 A 참조)

배터리 팩을 꺼내려면 배터리 팩 양쪽의 잠금 버튼을 누른 다음 당겨 빼낸다. 배터리 팩을 삽입하려는 경우 이를 기계에 가볍게 밀어 넣지만 하면 된다. 지나치게 힘을 쓰는 것은 금물이다. 조작규범

조작규범 :**1. 시동 / 달기 (그림 B 참조) :**

스위치(1)를 누르면 기계가 작동하고 풀리면 기계가 정지한다. 이 스위치에는 브레이크 기능이 설정되어 있으며, 스위치를 풀면 클램프가 즉시 회전을 중지한다.

스위치에 가해지는 힘의 크기로 회전 속도를 변경할 수 있다. 범위가 0에서 최대 회전 속도 사이를 변경한다. 힘을 적게 가하고, 회전 속도가 낮으며, 시동이 느리고 안정되면 제어하기 쉽다. 기계가 과도한 부하를 견디는 것으로 인해 정지하지 않도록 하십시오.

**경고 :**

장시간 저속으로 조작하지 마십시오, 그렇지 않으면 기계 내부에서 과열 반응이 발생한다.

2. 스위치 잠금 (그림 B 참조) :

사용하지 않을 때 부주의로 전동 렌치를 가동하는 경우를 대응하여 스위치는 잠금 보호 기능이 구비되어 있습니다. 조향 레버(2)를 정중 위치로 조절하면 기계를 잠글 수 있다.

3. 회전 방향 변경 (그림 B 참조):

정회전: 조향 다이얼 표시 "←"를 한쪽 면으로 끝까지 밀어 (왼쪽으로 이동) 구멍을 뚫거나 나사를 돌리는 데 사용할 수 있다. 반전: "→" 표시가 있는 방향 전환 리버 (2)를 끝까지 밀어줍니다 (우측까지 이동). 구멍을 뚫거나 너트의 풀기에 적용됩니다.



경고:

기계가 완전히 정지한 후에야 조향을 변환할 수 있다

4. 기어 변속 (그림 C 참조):

1) 기어 변속 패들 (3)을 로터리 회전 속도로 아래로 이동:

변속 레버를 앞으로 움직여 "1"단 속도에 놓습니다. 높은 토션 / 낮은 회전속도로 비교적 굵은 드릴 비트 또는 너트에 적용합니다.

2) 변속 패들 (3)을 Hi 기어의 회전 속도로 위로 이동:

변속 레버를 뒤로 움직여 "2"단 속도에 놓습니다. 낮은 토션 / 높은 회전속도로 비교적 약한 드릴 비트에 적용합니다. 기계 변속 패들이 기어가 이빨에 부딪혀서 움직이지 못할 때 스위치를 가볍게 눌러 모터를 회전시킨 다음 기어를 교체한다.



경고:

기계가 완전히 정지한 후에야 회전 속도를 변환할 수 있다.

5. 드릴 비트를 장착하거나 탈거한다 (그림 D 참조):


주의: 드릴 비트를 장착 및 해체할 때 우선 드릴 비트의 OFF 상태와 전지 팩의 꺼냄여부를 확인합니다.

한 손으로는 기계를 잡고 다른 손으로는 클립을 잡고 시계 반대 방향으로 돌려서 클립을 풀고 드릴을 최대한 끝까지 밀어서 링을 시계 방향으로 돌려서 클립을 고정한다. 드릴을 해체할 때는 슬리브 링을 잡고 시계 반대 방향으로 돌리면 된다.

6. 토크 렌치 및 드릴다운 기능 설정 (그림 E 참조):

기계의 토크 조절 링을 돌려서 기계의 토크를 조절한다. 토크 조절 루프에 있는 숫자 1이 기기 위쪽의 지시 화살표에 맞춰질 때, 토크 조절 루프의 표시가 기기 위쪽의 지시 화살표에 맞춰질 때 최대 토크가 된다.

사용하도록 설정하려면 다음과 같이 하신다:

1-4	작은 나사를 회전한다.
5-8	나사를 부드러운 재료로 돌려 넣는다.
9-12	나사를 폭신폭신하고 비교적 단단한 재료로 조인다.
13-16	나사를 단단한 재료로 돌려넣는다
17	큰 나사를 돌린다
	고강도 드릴링

7. 작업등:

기계에 조명이 달린 작업등: 기계를 사용하여 스위치를 누를 때 조명이 켜지고, 켜지고, 조명이 꺼진다.

8. 메인축 자기잠금:

주축 자체 잠금 기능은 기기를 수동 도구로 조작할 수 있게 해준다. 배터리 팩의 전력량이 소진될 때는 기계의 회전을 수동으로 하여 기계의 조임이나 슬나사 등을 조작할 수 있는데, 이때 클램프는 고정되어 움직이지 않는다.

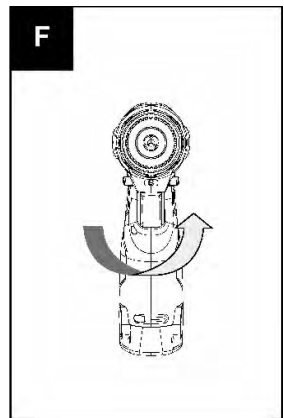
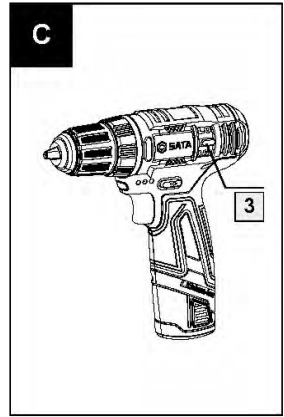
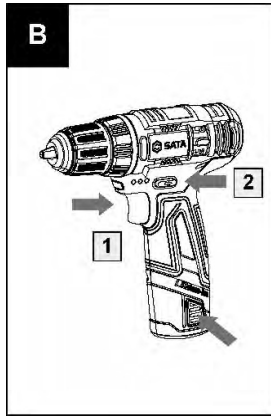
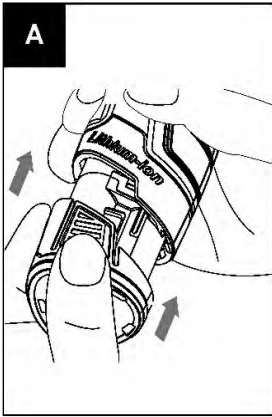
9. 드릴 조작:

경질 재료 표면에 구멍을 뚫을 때, 먼저 드릴 비트와 해머를 사용하여 드릴 비트가 미끄러지지 않도록 구멍을 뚫으려는 부위에 표시를 할 수 있다. 핸드헬드 드릴을 잡고 드릴 비트의 끝을 표시에 맞추고 스위치를 눌러 드릴 조작을 한다. 적절한 압력으로 뚫고 들어가며, 과도한 압력을 가하거나 편향된 압력을 사용하여 공경이 커지지 않도록 하신다.



주의 :

금속 재질에 구멍을 뚫을 때는 완전한 고속강 드릴 비트를 사용하신다. 짧은 나사산 리드를 사용하는 경우 마그네틱 링크 로드 (포함되지 않음) 를 이용해 나사를 조일 때 나사산에 비누액 또는 기타 윤활액을 약간 발라 쉽게 조일 수 있도록 하신다.



문제해답 :

- 1) 왜 스위치를 눌렀는데도 기계가 작동하지 않습니까 ?
스위치 상부에 스티어링 랙이 하나 있다. 잠긴 위치에 있다. 회전 방향이 필요한 위치로 돌리고 버튼을 누르면 기계가 회전하기 시작한다.
- 2) 왜 나사를 조이기 전에 핸드헬드 드릴이 작동을 멈출까요 ?
이때 설비와 척 사이의 토션 조절링을 조절하십시오. 위치 1 대응 토크가 가장 작고 위치 대응 토크가 가장

크다. 토크 조절 루프를 보다 고급 위치로 조절하면 이 문제를 해결할 수 있다.

3) 동일한 전지 팩이지만 작업시간이 길고 짧은 원인은 무엇?

위에서 언급한 바와 같이 배터리 팩 하나가 너무 오래 방치되어 사용되지 않으면 그 작업 시간이 단축되는 것이 충전 횟수 문제이다. 몇 번의 충전과 사용을 거치면 이러한 상황이 개선되고, 힘든 일을 할 때, 예를 들어 하드 목재에 큰 나사를 풀니다. 배터리 팩의 전력이 매우 빨리 소모된다. 0°C 이하 또는 45°C 이상의 환경에서 배터리를 충전하지 말아야 하며, 이는 마찬가지로 배터리 팩의 작업 표현에 영향을 미칠 수 있다.

보양 및 유지보수 :

기계에 어떤 수리 작업을 하기 전에 반드시 플러그를 뽑아 주신다.

당신의 전동 공구는 윤활유를 추가하거나 다른 정비를 할 필요가 없다. 당신의 전동 공구 를 물이나 화학 세척제로 세척하지 말고 마른 천으로 닦아 내면 된다. 공구는 건조한 환경 에 저장되어야 하며 모터 통풍구가 청결하게 유지되어야 한다. 가능한 한 먼지가 많은 환경에서 사용하지 않도록 한다.



배터리 팩 폐기 처리 :

자연 환경을 보호하기 위해 배터리 팩을 적절히 회수하거나 처리합니다. 이 배터리는 리튬 배터리를 포함하고 있다. 현지 폐기물 처리 부서에 회수와 (/ 또는) 처리에 대한 정보를 문의하십시오. 핸드헬드 드릴을 사용하여 배터리 팩의 전력을 소진하고 배터리 팩을 탈거하여 단단한 테이프로 극 단자를 감싸 단락과 누전을 피한다. 어떤 부품도 열거나 제거하려고 시도하지 마십시오.



환경 보호 :

폐기물을 처리한다.

친환경에 부응하기 위해 손상을 입은 기기의 경우 부품 및 포장재는 회수가 용이하도록 상세히 분류하여 처리해야 한다.

분리수거가 용이하도록 각 플라스틱 부위에 재료표시를 한다.

Avisos gerais de segurança para ferramentas elétricas:



Leia todos os avisos e todas as descrições. O não cumprimento dos avisos e descrições abaixo pode resultar em choque elétrico, incêndio e / ou ferimentos graves. Guarde todos os avisos e descrições para revisão. Em todos os avisos a seguir, o termo "ferramenta elétrica" refere-se a uma ferramenta elétrica alimentada pela rede municipal (com fio) ou a uma ferramenta elétrica alimentada por bateria (sem fio) .

Aviso geral de segurança para ferramentas elétricas - Local de trabalho:

- 1) Mantenha o local de trabalho limpo e brilhante. Confusão e escuridão podem causar acidentes.
- 2) Não opere a ferramenta elétrica em um ambiente explosivo, como líquido, gás ou poeira inflamáveis. Faiscas de ferramentas elétricas inflamam poeira ou gás.
- 3) Depois que a criança e o espectador saírem, opere a ferramenta elétrica. Desatenção pode fazer com que o operador perca o controle da ferramenta.

Aviso geral de segurança para ferramentas elétricas - Segurança elétrica:

- 1) O plugue da ferramenta elétrica deve corresponder ao soquete. O plugue nunca deve ser modificado de qualquer forma, e qualquer plugue que exija aterramento não deve usar nenhum plugue adaptador. Plugues não modificados e soquetes correspondentes reduzirão o risco de choque elétrico.
- 2) Evite o contato com superfícies aterradas, como tubos, dissipadores de calor e refrigeradores. Se o seu corpo estiver aterrado, aumentará o risco de choque elétrico.
- 3) Não exponha as ferramentas elétricas à chuva ou umidade. A água entrada da ferramenta elétrica aumentará o risco de choque elétrico.
- 4) Não abuse dos fios. Nunca use fios para carregar, puxar as ferramentas elétricas, ou remover plugue. Mantenha as ferramentas elétricas longe do calor, óleo, bordas afiadas ou partes móveis. Cabos macios danificados ou emaranhados aumentam o risco de choque elétrico.
- 5) Quando usar a ferramenta elétrica ao ar livre, use um cabo macio externo adequado para uso externo. Um cabo macio adequado para uso externo reduzirá o risco de choque elétrico.
- 6) Se a operação de uma ferramenta elétrica em um ambiente úmido for inevitável, um protetor de ação de corrente residual (RCD) deve ser usado. Use o RCD para reduzir o risco de choque elétrico.

Aviso geral de segurança para ferramentas elétricas - Segurança pessoal:

- 1) Esteja atento e preste atenção às operações que está fazendo enquanto permanece acordado enquanto opera a ferramenta elétrica. Não utilize a ferramenta elétrica quando você estiver cansado ou tiver medicação, álcool ou reações ao tratamento. O manuseio momentâneo inadvertido de ferramentas elétricas pode resultar em lesão grave.
- 2) Use equipamento de proteção pessoal. Sempre use óculos de proteção. Dispositivos de segurança, como máscaras de poeira sob condições adequadas, sapatos de segurança antiderrapantes, capacetes de segurança, proteção auditiva podem reduzir lesões pessoais.
- 3) Evite partida acidental. Garantir que o interruptor esteja conectado à fonte de alimentação e / ou à caixa da bateria está na posição de desligado ao pegar ou transportar a ferramenta. Dedo no interruptor que está ligado ou inserir o plugue enquanto o interruptor estiver ligado, isto pode causar um risco.
- 4) Remova todas as chaves de ajuste ou chaves de fenda antes de ligar a ferramenta elétrica. A chave de fenda ou a chave deixada nas partes rotativas da ferramenta elétrica podem causar lesões pessoais.
- 5) Não estique as mãos por muito longo, preste sempre atenção ao equilíbrio da posição e do corpo. Isso pode ser um bom controle da ferramenta elétrica em situações inesperadas.
- 6) Vista-se adequadamente Não use roupas soltas ou jóias. Mantenha roupas, luvas e cabelos longe de peças móveis. Roupas soltas, acessórios ou cabelos compridos podem ficar presos nas partes móveis.

- 7) Se fornecendo um dispositivo para conectar o dispositivo de evacuação de cavacos ao coletor de poeira, verifique se eles estão conectados e usados adequadamente. Os dispositivos podem reduzir o risco de poeira.

Aviso geral de segurança para ferramentas elétricas - Uso e precauções de ferramentas elétricas:

- 1) Não abuse de ferramentas elétricas, use as ferramentas elétricas conforme o seu uso. Seleção da ferramenta elétrica certa tornará seu trabalho mais eficaz e seguro.
- 2) Esta ferramenta não pode ser usada se o interruptor não ligar ou desligar a fonte de alimentação da ferramenta. Ferramentas elétricas que não podem ser controladas com chaves são perigosas e devem ser reparadas.
- 3) O plugue deve ser removido da fonte de alimentação e / ou a caixa da bateria é removida da ferramenta antes de qualquer ajuste, substituindo acessórios ou armazenando ferramentas elétricas. Essa medida de proteção reduzirá o risco de partida acidental da ferramenta.
- 4) Armazene ferramentas elétricas não utilizadas fora da faixa de crianças e não opere ferramentas elétricas para pessoas que não estão familiarizadas com ferramentas elétricas ou que não entendem essas instruções. Ferramentas elétricas são perigosas são operados pelos usuários não treinados.
- 5) Manutenção das ferramentas elétricas. Verifique se as peças móveis estão no lugar ou presas, verifique o dano das peças e outras condições que afetam a operação da ferramenta elétrica. Se estiver danificado, a ferramenta elétrica deve ser reparada antes do uso. Muitos acidentes são causados por falta de manutenção das ferramentas elétricas.
- 6) Mantenha afiada e limpa das ferramentas de corte. Ferramenta bem mantida com aresta de corte afiada, não é fácil ficar preso e fácil de controlar.
- 7) Use as ferramentas elétricas, acessórios e cabeça de faca das ferramentas de acordo com o manual de uso, levando em consideração as condições operacionais e o trabalho realizado. Operação das ferramentas elétricas que não correspondem ao seu uso pode ser perigoso.

Aviso geral de segurança para ferramentas elétricas - Uso e precauções das ferramentas da bateria:

- 1) Carregue apenas com o carregador especificado pelo fabricante Existe um risco de incêndio quando se utiliza um carregador adequado de um tipo de caixa da bateria para outro tipo de caixa da bateria.
- 2) Use a ferramenta elétrica somente se você tiver uma caixa da bateria especial. Danos e risco de incêndio podem ocorrer com outras caixas da bateria.
- 3) Quando não usar a caixa da bateria, mantenha-o afastado de outros objetos de metal, como cliques de papel, moedas, chaves, pregos, parafusos ou outros pequenos objetos de metal, para evitar que uma extremidade se conecte à outra extremidade. Um curto-circuito no final da bateria pode causar fogo ou incêndio.
- 4) Na condições de abuso, o líquido pode derramar da bateria, evitar contato. Se acidentalmente for encontrado, lave com água. Se o líquido entrar em contato com seus olhos, procure ajuda médica. Líquido derramado da bateria pode corroer ou queimar.

Aviso geral de segurança para ferramentas elétricas -Manutenção:

- 1) O pessoal de serviço profissional usa as mesmas peças de reposição para reparar ferramentas elétricas. Garanta a segurança das ferramentas elétricas que estão sendo consertadas.

Requisito profissional:

- 1) A bateria deve ser removida antes de qualquer reparo na máquina.
- 2) Não coloque a máquina na chuva ou na água.
- 3) Não armazene a bateria em um ambiente acima de 40 ° C.
- 4) Carregando em um ambiente de 0 a 30 ° C, a temperatura de carga ideal é de 18 a 24 ° C.
- 5) Use apenas o carregador e o pacote da bateria fornecido.
- 6) Evite a conexão de curto-circuito (parafusos e pregos são tocados nos polos positivo e negativo da bateria)
- 7) Não queime a bateria ou descarte-a no fogo, o que pode causar uma explosão.

- 8) Não carregue a bateria danificada.
- 9) Se o cabo de alimentação do carregador estiver danificado, substitua-o a tempo,
- 10) Sempre remova o plugue da fonte de alimentação do carregador antes de remover a bateria.
- 11) Durante o carregamento, é normal que o carregador e a bateria aqueçam.
- 12) Não conecte um pacote da bateria carregada no carregador quando a máquina não estiver em uso.
- 13) Após o carregamento, remova a bateria imediatamente do carregador.
- 14) Quando a máquina está funcionando, o corpo e a bateria vão aquecer, o que é normal.
- 15) É proibido colocar a bateria descartada no fogo ou com lixo doméstico, deve ser enviada de volta para a estação de coleta local ou ponto de reciclagem para reciclagem.
- 16) Antes de parafusar ou fazer furos em paredes, pisos, tetos, verifique cuidadosamente se o fio, o cabo de gás ou os tubos de água estão montados, não ser danificado por parafusos ou brocas.
- 17) Use protetores de ouvido protetores quando usar a máquina, caso contrário, pode causar perda de audição
- 18) Acessórios e peças de metal estão quentes quando a máquina está funcionando, o que é normal.
- 19) Quando operar a máquina, a máquina pode entrar em contato com fios ocultos, deve manter a superfície isolante da máquina. O contato com fios de alimentação pode carregar o metal na superfície da máquina, o usuário recebe um choque elétrico.


Aviso:

Em caso de temperatura excessiva ou uso excessivo, o vazamento de líquido do pacote da bateria pode ocorrer. Se o líquido vazando da bateria entrar em contato com a pele, lave com sabão primeiro, depois enxágue com suco de limão ou vinagre; Se você acidentalmente tocar seus olhos, lave imediatamente com água limpa, e vá imediatamente ao hospital para tratamento.


Aviso de segurança do carregador:

- 1) Leia o manual de uso antes de usar.
- 2) Apenas para uso interno, é proibido ser colocado sob chuva ou água.
- 3) Não carregue baterias não recarregáveis.
- 4) Se o cabo macio de alimentação estiver danificado, deve ser substituído por um profissional do fabricante, do seu departamento de serviço ou do departamento similar para evitar perigos.

Marca:


Para reduzir os danos, o usuário deve ler atentamente as instruções



Proibido de ser colocado na chuva ou na água



Marca de aviso



Proibido de ser colocado no fogo



Use protetores de ouvido protetora



Não descarte a bateria, devolva as baterias usadas para a sua coleta local ou ponto de coleta para reciclagem



Use óculos de proteção



O corpo do produto (excluindo o pacote da bateria) não contém substâncias ou elementos tóxicos ou perigosos, é um produto ecológico que pode ser reciclado após o descarte e não deve ser descartado à vontade.



Use máscara de poeira



Este pacote da bateria do produto contém certas substâncias tóxicas e perigosas. Pode ser usado com confiança durante o período de proteção ambiental, após o período de proteção ambiental, deve entrar no sistema de reciclagem



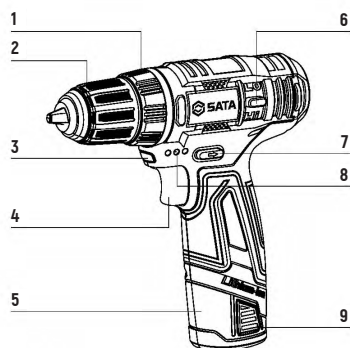
Apenas use no interno

O nome e o teor de substâncias ou elementos tóxicos ou perigosos no produto:

Bateria	Substância tóxica e perigosa e elemento					
	Chumbo (Pb)	Mercúrio (Hg)	Cádmio (Cd)	Cromo hexavalente (Cr (VI))	Bifenilos Polibromados (PBB)	Éter difenílico polibromado (PBDE)
	○	○	×	○	○	○
<p>○ : Indica que o conteúdo desta substância tóxica e perigosa em todos os materiais homogêneos desta peça está abaixo do requisito de limite especificado em SJ / T11363-2006.</p> <p>× : Indica que o conteúdo desta substância tóxica e perigosa em todos os materiais homogêneos desta peça está acima do requisito de limite especificado em SJ / T11363-2006. (Baterias de Ni-cádmio não estão atualmente disponíveis para substituição ou redução por razões técnicas e econômicas)</p>						

As peças:

1. Anel de ajuste de torque
2. Braçadeira
3. Luz de trabalho
4. Interruptor de ligação e desligação
5. Pacote da bateria
6. Alavanca de mudança mecânica de duas velocidades
7. Alavanca de inversão
8. Visor da capacidade de energia
9. Botão de bloqueio do pacote bateria


Anexo da máquina :

Modelo da máquina	Conteúdo	Quantidade
51005	Pacote da bateria de lítio de 2.0Ah	2
	Carregador de 45 minutos	1

Recomendamos que você escolha suas peças duráveis na loja onde comprou as ferramentas elétricas. Use acessórios de alta qualidade com marcas bem conhecidas. Selecione o acessório certo para o seu trabalho. Consulte o pacote de acessórios, você terá mais métodos e ajuda para usar o acessório.

Especificação da máquina:

Modelo da máquina	51005
Tensão	12V

Velocidade de sem carga		0-440 / 0-1450 / r / min
Engrenagem de ajuste de torque		17+1
Torque máximo		30 Newton· metros
Capacidade máxima de fixação		10 mm
Capacidade de perfuração	aço	8mm
	Madeira	20mm
Peso da máquina		1 kg
Capacidade da bateria		2000 mAh
Tempo de carregamento		45 minutos


Guia de operação:

Atenção: Leia atentamente o manual de uso antes de usar a máquina.

Antes de usar :
1) Carregamento

Este carregador e a máquina devem ser usados em conjunto, é estritamente proibido usar outros carregadores.

A máquina tem um circuito de proteção, quando a capacidade da bateria está insuficiente, o circuito de proteção é ligado, a máquina pára de girar.

Em ambientes de alta temperatura ou após uso por longo tempo, a máquina pode aquecer, neste momento, não pode carregar imediatamente. Recarregue a bateria depois que ela tiver esfriado, caso contrário, diminuirá a vida útil da bateria ou não será carregada devido ao superaquecimento da bateria.

Quando a máquina é carregada pela primeira vez ou não é usada por um longo tempo, a eficiência do carregamento da primeira vez pode chegar apenas a 60%, após 2-3 horas de carga e descarga, a eficiência da bateria pode chegar a 100%.

2) Montagem/desmontagem do pacote da bateria (veja a figura A)

Para remover o pacote da bateria, pressione o botão de travamento em cada lado da bateria e retire-a. Para inserir o pacote da bateria, empurrá-la para dentro da máquina. Não use muita força.

Operação:
1. Ligar/desligar (veja a figura B) :

Pressione e segure o interruptor (1), a máquina é ligada, solte a máquina pará. O interruptor tem uma função de freio e, quando o interruptor é soltado, a braçadeira pára de girar imediatamente.

A quantidade de força aplicada ao interruptor, pode mudar a velocidade. A faixa de mudança está entre 0 e a velocidade máxima. A força é pequena, a velocidade de rotação é baixa, a velocidade de perfuração é lenta e fácil de controlar. Não pare a máquina de ser submetida a carga excessiva.


Aviso:

Não opere a baixa velocidade por muito tempo, caso contrário haverá superaquecimento dentro da máquina.

2. Bloqueio do interruptor (veja a figura B):

O interruptor tem uma função de proteção de bloqueio, que ajuda a reduzir o início acidental de mão sem ser usado. A máquina pode ser bloqueada ajustando a alavanca de direção (2) para a posição central.

3. Mude a direção de rotação (Veja a figura B):

Rotação positiva: Empurre o lado da alavanca de direção com " ← "para o fundo (para a esquerda), pode perfurar e aparafusar parafusos. Rotação negativa: Empurre o lado da alavanca de direção com " → "para o fundo (para a direita), pode soltar ou girar o parafuso.



Aviso:

A direção só pode ser mudada a após a máquina estar completamente parada.

4. Mudança da velocidade (veja a figura C):

- 1) Mova a alavanca de mudança (3) para a velocidade da alavanca Lo:
Alto torque / baixa velocidade, para perfurar brocas mais grossas ou aparafusar parafusos.
- 2) Mova a alavanca de mudança (3) para a velocidade da alavanca Hi:
Baixa torque / alta velocidade, para perfurar brocas mais finas ou aparafusar parafusos.

Quando a alavanca de mudança mecânica não pode ser movida devido aos dentes da engrenagem, pressione lentamente o interruptor para o motor girar, em seguida, mude a alavanca.



Aviso:

A velocidade só pode ser mudada a após a máquina estar completamente parada.

5. Montagem ou desmontagem de broca (veja a figura D):


Atenção: Quando montar ou desmontar broca, garantir que verificar se a furadeira elétrica foi desligada e se o pacote da bateria foi removida.

Segure a máquina em uma mão e o anel da pinça na outra mão, gire no sentido anti-horário para abrir a pinça, coloque a cabeça da furadeira na pinça, empurre-a o máximo possível e, em seguida, aperte o anel no sentido horário para fixar a pinça. Quando desmontar a broca, segure o anel e gire-o no sentido anti-horário.

6. Configure o torque e a função de perfuração (veja a figura E):

Gire o anel de ajuste de torque para ajustar o torque da máquina. Quando o número 1 no anel de ajuste de torque estiver alinhado com a seta indicadora acima da máquina, o torque é mínimo e o torque é máximo quando a marca no anel de ajuste de torque é alinhada com a seta indicadora acima da máquina.

A referência de configuração é a seguinte:

1-4	Gire o parafuso pequeno
5-8	Parafuso é aparafusado em material macio
9-12	Parafuso é aparafusado em material macio e duro
13-16	Parafuso é aparafusado em material duro
17	Gire o parafuso grande
	Perfuração de alta resistência

7. Luz de trabalho:

A máquina tem uma luz de trabalho iluminada: Quando o interruptor da máquina é pressionada, a luz está acesa, quando é soltado, a luz está apagada.

8. Bloqueio automático do eixo principal:

A função do bloqueio automático do eixo principal permite que a máquina opere como uma ferramenta manual. Quando o pacote da bateria se esgota, pode girar manualmente a máquina para apertar ou afrouxar os parafusos, neste momento, a pinça está fixada.

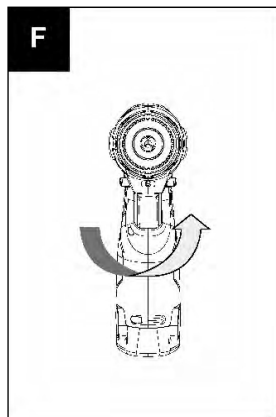
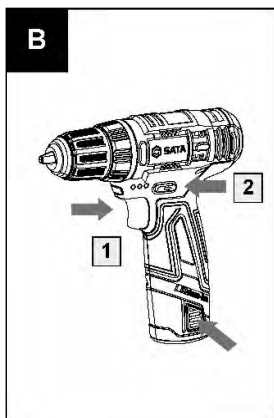
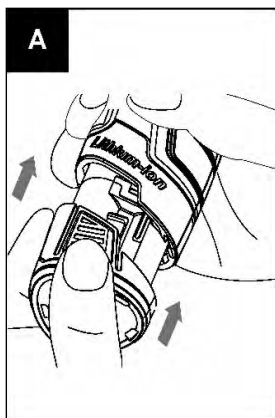
9. Operação de perfuração:

Quando perfurar uma superfície de material dura, use um punção pontiagudo e um martelo para marcar a área onde deseja perfurar, evitar que a broca escorregue. Segure a furadeira elétrica manualmente, alinhe a ponta da broca com a marca, pressione o interruptor para perfurar. Perfure a uma pressão apropriada, não aplique pressão excessiva ou não pode usar pressão de deslocamento para aumentar o diâmetro.



Atenção:

Quando perfurar os furos em metal, use uma broca de aço de alta velocidade. Quando usar uma pequena chave de fenda, use uma haste de conexão magnética (não incluída). Quando parafusar o parafuso, aplique um pouco de sabão ou outro líquido lubrificante na rosca para facilitar o aparafusamento.



Pergunta e resposta:

- 1) Por que pressiona o interruptor e a máquina não funciona?
Há uma alavanca de direção na parte acima do interruptor. Em uma posição bloqueada. Gire-o para a posição que deseja girar e, em seguida, pressione o botão, a máquina começará a girar.
- 2) Por que a broca manual pára quando o parafuso não está apertado?
Neste momento, ajustar o anel de ajuste do torque entre o corpo e a braçadeira. O torque correspondente à posição 1 é o mínimo e o torque correspondente à posição é o máximo. Ajustar o anel de ajuste de torque para um nível mais alto que pode resolver este problema.
- 3) Por que o tempo de trabalho do mesmo pacote da bateria é diferente?
Como mencionado acima, se um pacote da bateria não for usada por um longo tempo, reduzirá o seu tempo de trabalho, esse é o problema do número de carregamento. Esta condição é melhorada após vários carregamentos e uso, quando realize os trabalhos pesados, como os parafusos grandes são parafusados em madeira dura, o consumo de energia da bateria também é muito rápido. Não carregue em um ambiente abaixo de 0 ° C ou acima de 45 ° C, o que também afetará o desempenho da bateria.

Manutenção e reparo:

Deve remover o plugue antes de realizar qualquer reparo na máquina.

Sua ferramenta elétrica não requer lubrificação adicional ou outra manutenção. Não limpe a ferramenta elétrica pela água ou limpador químico, limpe-a com um pano seco. As ferramentas devem ser armazenadas em um ambiente seco e mantidas limpas nas aberturas do motor. Tente não usá-lo em um ambiente empoeirado.

**Tratamento do pacote da bateria descartada:**

Para proteger o ambiente natural, recicle ou descarte o pacote da bateria adequadamente. O pacote da bateria contém uma bateria de lítio. Por favor, consulte o seu departamento local de eliminação de resíduos para obter informações sobre reciclagem e / ou tratamento. Use a furadeira elétrica manual para drenar a energia da bateria, remova o pacote da bateria e enrole a porta do pólo com fita adesiva, evitar curtos-circuitos e vazamentos. Não tente abrir ou remover nenhuma peça.

**Proteção ambiental:**

Tratamento de resíduos

Para proteger o ambiente, máquinas, acessórios e materiais de embalagem danificados devem ser classificados em detalhes para facilitar a reciclagem. Para facilitar a classificação e reciclagem, todas as peças de plástico são marcadas com materiais.



電動工具の通用安全警告：



すべての警告とすべての説明を読んでください。以下の警告および説明に従わないと、感電、火災、および/または重傷をもたらす可能性があります。参照のためにすべての警告と説明を保存してください。以下のすべての警告において、「電動工具」という用語とは、商用電源駆動式（有線）電動工具またはバッテリー駆動式（無線）電動工具を指します。

一般電動工具の安全上の警告 - 作業場：

- 1) 作業場を清潔で明るく保ってください。混乱していると暗い場所では事故を引き起こす可能性があります。
- 2) 可燃性液体、ガス、または塵埃のような環境下では電動工具を操作しないでください。電動工具から発生する火花は、粉塵またはガスを燃やす可能性があります。
- 3) 子供と無関係の人が離れてから電動工具を操作してください。不注意があると、オペレーターが工具への制御を失う可能性があります。

一般電動工具の安全上の警告 - 電気の安全性：

- 1) 電動工具のプラグはソケットと一致していなければなりません。プラグは絶対に改造しないでください。また、接地を必要とする電動工具はアダプタプラグを使用しないでください。改造されていないプラグと対応するソケットは感電の危険性を減らします。
- 2) パイプ、ヒートシンク、冷蔵庫などの接地面と人体との接触を避けます。体が接地されていると、感電の危険性が高まります。
- 3) 電動工具を雨または湿気環境にさらすことはできません。電動工具に水が浸入すると、感電の危険性が高まります。
- 4) ワイヤを乱用しないでください。電動工具の運搬と引き抜き、そのプラグの引き抜きにワイヤーを使用しないでください。動力工具を熱、油、鋭利な部分または可動部分に近づかないでください。コードが損傷したり絡まったりすると、感電の危険性が高まります。
- 5) 電動工具を屋外で使用する場合は、屋外での使用に適した外部コードを使用してください。屋外での使用に適したコードは感電の危険性を減らします。
- 6) 湿気が多い環境で電動工具を操作することが避けられない場合は、残留電流作動保護装置 (RCD) を使用する必要があります。RCD を使用するのには感電の危険を減らすことができます。

一般電動工具の安全上の警告 - 人身の安全：

- 1) 警戒感を持ち、電動工具の動作中に行っている操作に注意を払って冷静にしてください。疲れを感じた場合、または医薬品や酒精、治療反応がある場合は、電動工具を操作しないでください。電動工具を操作する際に瞬間にしてうっかりしても、重大な人身傷害を起こす可能性があります。
- 2) 個人用保護具を使用してください。常に保護メガネを着用してください。適切な条件下の防塵マスク、滑り止め安全靴とヘルメット、聴覚保護具などの安全装置は、人体への傷害を減らすことができます。
- 3) 不測的な起動を防ぎます。電源装置および/またはバッテリーケースを接続する、ツールを持ち上げるまたは持ち運ぶときは、スイッチがオフの位置にあることを確保してください。電源に接続されているスイッチを指を置く、またはスイッチがオンのときにプラグを差し込むのは危険です。
- 4) 電動工具の電源を入れる前に、すべての調整キーまたはレンチを外してください。電動工具の回転部品にレンチやキーが残っていると、人身傷害を起こす可能性があります。
- 5) 手を長く伸ばしすぎないようにし、足場と体のバランスに常に注意を払ってください。これにより、予期しない状況でも電動工具を適切に制御できます。
- 6) 適切な服を着てください。ゆったりした服やアクセサリを身に着けないでください。衣服、手袋と髪の毛を可動部分に近づけないでください。ゆったりした服、アクセサリ、または長い髪は可動部分に絡みつくことがあります。
- 7) 切りくず排出装置と集塵設備を接続する装置が提供された場合は、それらが正しく接続され使用されている



ことを確保しなければなりません。これらの装置を使用するのはほこりや屑による危険を減らすことができます。

一般電動工具の安全上の警告 - 電動工具の使用と注意事項：

- 1) 電動工具を乱用せずに、用途に応じて適切な電動工具を使用してください。設計が適切な電動工具を選択すると、作業がより効率的かつ安全になります。
- 2) スイッチが工具の電源をオンまたはオフにしない場合は、この電動工具を使用できません。スイッチで制御できない電動工具は危険であり、修理する必要があります。
- 3) 調整を行う、アクセサリを交換する、または電動工具を保管する前に、プラグを電源から抜いたり、バッテリーケースを工具から取り外したりしてください。このような防護措置は、工具の不測的な起動のリスクを減らします。
- 4) 使用しない電動工具は子供の手の届かないところに保管し、電動工具に慣れていない人やこれらの説明を理解していない人が電動工具を操作しないようにしてください。電動工具はトレーニングを受けていないユーザにとって危険です。
- 5) 電動工具を保守します。可動部品が所定の位置に調整されているか挟まれているかを確認し、部品の損傷および電動工具の動作に影響を与えるその他の状況を確認してください。損傷した場合には、電動工具は使用前に修理されるべきです。多くの事故は不十分に保守された電動工具によって引き起こされます。
- 6) 切削工具を鋭く清潔に保ってください。鋭利な刃先を備えたお手入れの行き届いた刀具は、挟みにくくなり制御しやすくなります。
- 7) 作業条件や作業内容を考慮して、取扱説明書に従って電動工具、アタッチメント、工具のカッターヘッドなどを使用してください。用途に合わない操作に電動工具を使用すると危険を引き起こす可能性があります。

一般電動工具の安全上の警告 - 電池式工具の使用と注意事項：

- 1) メーカー指定の充電器でのみ充電してください。ある種類のバッテリーケースに適した充電器を別のバッテリーケースに使用すると、火災の危険があります。
- 2) 電動工具は専用のバッテリーケースがある場合にのみ使用できます。他のバッテリーケースを使用するのは損傷や火災の危険があります。
- 3) バッテリーケースを使用していないときは、一方の端がもう一方の端に接続されていることを防ぐために、ペーパークリップ、コイン、キー、ネイルネジ、その他の小さい金属物などの他の金属物に近づかないでください。バッテリーパックの端が短絡すると、燃烧や火災を起こす可能性があります。
- 4) 乱用する場合には、液体はバッテリーから飛び散りますので接触を避けます。誤って水に触れた場合は、水で洗い流してください。液体が目に入った場合は、医師の手当てを受けてください。バッテリーからこぼれた液体は腐食または燃烧する可能性があります。

一般電動工具の安全上の警告 - 修理：

- 1) 専門の修理担当者は電動工具の修理に同じ予備部品を使用してください。これにより、修理中の電動工具の安全性が確保されます。

専門的要求：

- 1) 本機の修理作業を行う前にバッテリーパックを取り外す必要があります
- 2) 雨や水の中に本機を置くことは禁止されています
- 3) バッテリーパックを 40°C 以上の環境に保管しないでください。
- 4) 0 ~ 30°C の環境で充電し、理想的な充電温度は 18 ~ 24°C です。
- 5) 本機に付属している充電器とバッテリーパックのみを使用してください
- 6) バッテリーパックの短絡接続を避けてください。（例：バッテリーパックの正極と負極にボルトや釘が触れないようにしてください）

- 7) 爆発の恐れがありますので、バッテリーパックを燃焼させたり火中に廃棄することは禁止されています
- 8) 損傷したバッテリーパックを充電することは禁止されています。
- 9) 充電器の電源コードが損傷している場合は、時間内に交換してください。
- 10) バッテリーパックを取り外す前に、必ず充電器の電源プラグを抜いてください。
- 11) 充電中、充電器とバッテリーパックが過熱するのは正常です。
- 12) 本機を使用しないときは、充電したバッテリーパックを充電器に接続しないでください。
- 13) 充電が終わったら、直ちに充電器からバッテリーパックを引き抜いてください。
- 14) 本機が作動しているとき、本体とバッテリーパックが熱くなるのは正常です。
- 15) 廃棄されたバッテリーパックを火中に捨てたり、地元の収集ステーションや回収所に返送して生ごみと一緒に廃棄することは禁止されています
- 16) 壁や床、天井にネジをねじ込むまたは穴を開ける前に、ワイヤー・ケーブル、天然ガス管、水道管をきちんとチェックして、ネジやドリルビットの損傷を避けます。
- 17) 本機を使用するときは保護用のイヤーマフを着用してください。そうしないと聴覚を損害することがあります。
- 18) 本機が作動しているとき、付属品および金属部品が熱くなるのは正常です。
- 19) 本機を操作するとき、本機は隠れた電線と接触する可能性がありますので、本機の絶縁面を握らなければなりません。通電されたワイヤと接触すると、本機表面の金属が帯電する可能性があり、ユーザーは感電することがあります。


警告：

バッテリーパックが過熱または使用し過ぎると、液漏れが発生するかもしれません。バッテリーから漏れた液体が皮膚に付着した場合は、まず石鹸で洗い、次にレモン汁または酢で洗い流してください。誤って目に触れた場合は、すぐにきれいな水で洗い流し、検査と治療のために病院に行ってください。


充電器の安全上の警告：

- 1) 使用前に取扱説明書をお読みください。
- 2) 屋内でのみ使用し、雨や水中に置かないでください
- 3) 充電できないバッテリーを充電しないでください。
- 4) 電源コードが損傷している場合は、危険を避けるために、製造元の保守部門または類似の部門の専門技術員が交換する必要があります。

マーク：


損傷を減らすために、ユーザーは注意深く取扱説明書を読んでください



警告マーク



保護イヤーマフを着用してください



保護メガネをかけてください



防塵マスクを着用してください



雨や水中にさらさないでください



火の中に入れてください



バッテリーを捨てずに、使用済みのバッテリーをリサイクルのために地元の収集または回収場所に返送してください



この製品本体（バッテリーパックを除く）には、有毒有害物質や元素が含まれていませんので、環境にやさしい製品であり、廃棄後にリサイクルすることができ、勝手に廃棄することはできません



室内でのみ使用してください



この製品バッテリーには特定の有毒有害物質が含まれています。環境保護使用期間中に安全に使用することができ、環境保護使用期間の切れた後にリサイクルシステムに入るべきです

製品内の有毒有害物質または元素の名称および含有量：

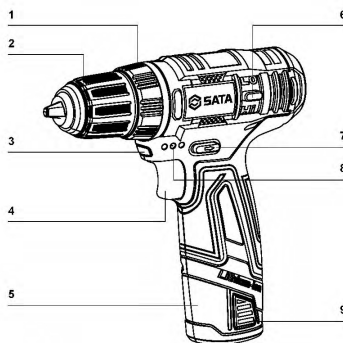
バッテリー	有毒有害物質または元素					
	鉛 (Pb)	水銀 (Hg)	カドミウム (Cd)	六価クロム (Cr (VI))	ポリ臭化ビフェニル (PBB)	ポリ臭化ジフェニルエーテル (PBDE)
	○	○	×	○	○	○

○：この部品のすべての均質材料における有毒有害物質の含有量が、SJ/T11363-2006 規格で指定された制限要求を下回っていることを示します。

×：この部品の均質材料の1つ以上における有毒有害物質の含有量が、SJ/T 11363-2006 規格で指定された制限要求を超えていることを示します。(技術的および経済的理由により、ニカド電池は現在取り替えられるまたは減量化することができません)

機械部品：

1. トルク調整リング
2. チャック
3. ワークライト
4. 始動・停止スイッチ
5. バッテリーパック
6. 2速メカニカルシフトレバー
7. 反転レバー
8. バッテリーディスプレイ
9. バッテリーパックロックボタン



ランダム付属品：

機械型番	内容	数量
51005	2.0AH リチウムバッテリーパック	2
	45分充電器	1

電動工具を購入した店から、耐久性のある部品を選ぶことをお勧めします。有名ブランドの高品質付属品を使用してください。お客様の作業に合った付属品を選んでください。付属品パッケージを参照してください。付属品を使用するためのより多くの方法と手助けを得られます。

機械仕様：

機械型番	51005	
電圧	12V	
無負荷速度	0 ~ 440/0 ~ 1450 / 回り / 分	
トルク調整ギヤ	17+1	
最大トルク	30N-M	
最大締め付け能力	10 mm	
穴あけ能力	鋼材	8mm
	木材	20mm
機械重量	1 kg	
バッテリー容量	2000 mAh	
充電時間	45 分	


操作ガイド:

注: 本機を使用する前に取扱説明書をよく読んでください。

使用する前に:
1) 充電

この充電器と機械は合わせて使用する必要があります。他の充電器の使用は厳禁されています。本機は保護回路を内蔵しており、電池残量が不足であると、保護回路が作動して回転を停止します。高温環境下や長時間の使用後は、本機が熱くなることがありますので、直ちに充電を行わず、電池が冷えた後充電してください。そうしないと電池の寿命が短くなったり、過熱により充電できません。本機を初めて充電した場合や長時間使用しなかった場合、最初に充電器の効率は約 60%に達するしかありませんが、2~3 回充電および放電した後、バッテリー効率は 100%に達します。

2) バッテリーパックの取り付け / 取り外し (図 A 参照)

バッテリーパックを取り外すには、バッテリーパックの両側にあるロックボタンを押して引き出します。バッテリーパックを挿入するには、単にそれを軽く機械に押し込んでいいです。力をかけすぎないでください。

作業:
1. 始動 / 停止 (図 B 参照):

スイッチ (1) を押し続けると本機が起動し、それを放すと本機が運行停止します。このスイッチにはブレーキ機能がありますので、スイッチを離すとチャックの回転が直ぐに止まります。スイッチにかかる力の大きさによって速度が変わります。変更範囲は 0 から最高速度までです。力は小さく、回転速度は遅く、そして穴あけはゆっくりとして制御が容易です。機械が過度の負荷により運行停止しないようにしてください。

**警告：**

低速で長時間作業しないでください。そうしないと機械内部は過熱することがあります

2. スイッチロック(図 B 参照)：

このスイッチにはロック保護機能があり、使用しない状態で電動ハンドドリルが誤って起動するのを防ぐことができます。ステアリングレバー (2) を中央位置に調整すると、本機をロックできます。

3. 回転方向を変える(図 B 参照)：

正転：ステアリングレバーの「←」と示された側を最後まで押し(左側に移す)、穴あけやねじ込みに使用できます。
逆転：ステアリングレバーの「→」と示された側を最後まで押し(右側に移す)、ネジを緩めたり外したりすることに使用できます。

**警告：**

ステアリングは本機が完全に静止した後にのみ変更できます

4. 変速(図 C 参照)：**1) シフトレバー (3) を Lo 速度まで下にシフトする：**

高トルク / 低速、粗いドリルの穴あけ、またはネジのねじ込みに使用されます。

2) シフトレバー (3) を Hi 速度まで上にシフトする：

低トルク / 高速、細いドリルの穴あけに使用されます。

歯車のぶつかりのためにメカニカルシフトレバーが動かない場合は、スイッチを軽く押してモーターを回転させてからギアをシフトしてください。

**警告：**

速度は機械が完全に静止した後にのみ変更することができます。

5. ドリルビットの取り付けまたは取り外し(図 D 参照)：

注：ドリルビットを取り付けまたは取り外すときは、ドリルがオフになっているか、バッテリーパックが取り外されているかを必ず確認してください。

本機を片手で持ち、もう一方の手でチャックリングを持ち、反時計回りに回してチャックを開き、ドリルをチャックに入れ、できるだけ最後まで押し込み、そしてリングを握って時計回りに回し、チャックを締めます。ドリルを取り外すときは、リングを反時計回りに持って回すことができます。

6. トルクと穴あけ機能の設定(図 E 参照)：

トルク調整リングを回して機械のトルクを調整します。トルク調整リングの数字 1 が機械の上にある指示矢印を合わせると、トルクは最小になり、トルク調整リングのマークが機械の上にある指示矢印を合わせると、トルクは最大になります。

設定基準は次のとおりです：

1-4	小さなネジを回転します
5-8	柔らかい材料にネジをねじ込みます
9-12	柔らかい材料と硬い材料にネジをねじ込みます
13-16	硬い材料にネジをねじ込みます
17	大きなネジをねじ込みます
	高強度ドリル

7. 動作用サイト：

本機には照明用動作ライトが付いている：本機を使用してスイッチを押すと照明ライトが点灯し、それを放すと照明ライトが消灯します。

8. スピンドルセルフロック：

スピンドルセルフロック機能により、本機をハンドツールとして使用することができます。バッテリーパックが消耗していたら、手動で本機を回してネジを締めたり緩めたりできますが、このときチャックは固定されて動きません。

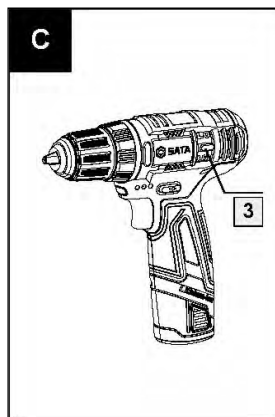
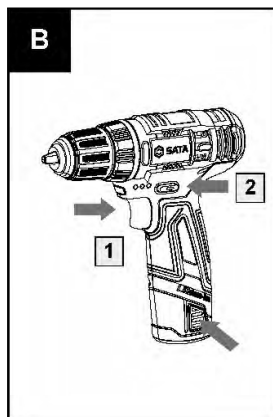
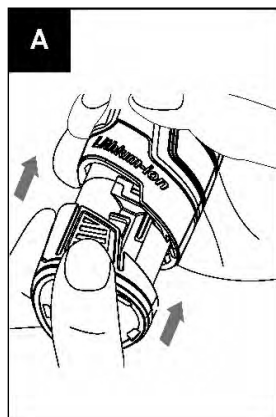
9. 穴あけ作業：

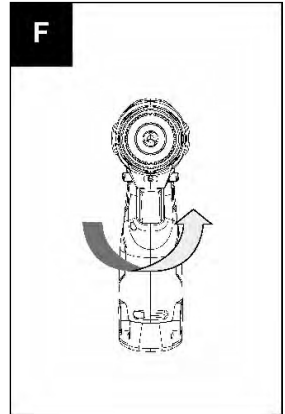
硬い材料の表面を穴あけするときは、ドリルがスリップしないように、まず先のとがったパンチとハンマーを使用してドリルしたい場所に印を付けます。電動ハンドドリルをつかみ、ドリルの先端を印に合わせ、スイッチを押して穴を開けます。適切な圧力で穴を開け、直径を大きくしないように過度の圧力をかけたり、オフセット圧力をかけたりしないでください。



注意事項：

金属材質に穴を開けるときは、完全な高速スチールドリルを使用してください。短いネジビットを使用する場合は、マグネットコンロッド（含まない）を使用してください。ネジを締めるときは、ネジ山に少量の石鹸液または他の潤滑液を塗布して簡単にねじ込みます。





質問の回答:

- 1) どうしてスイッチを押しても機械が作動しないのですか?
スイッチの上部にステアリングレバーがあります。ロック位置にあります。回転させたい位置まで回してからボタンを押すと、本機が回転し始めます。
- 2) ネジを締めないとき電動ハンドドリルが停止するのはなぜですか?
この場合は、本体とチャックの間にあるトルク調整リングを調整します。位置1に対応するトルクが最も小さく、位置 に対応するトルクが最も大きいです。トルク調整リングをより高いギアに調整すると、この問題を解決できます。
- 3) 同じバッテリーパックでも稼働時間が一致しないのはなぜですか?
前述したように、バッテリーパックを長期間使用しないままにしておく、その動作時間が短くなります。これは充電回数の問題です。この状況は、何度か充電して使用した後に改善されます。硬木を硬い木材に大きなネジをねじ込むなどの重労働では、バッテリーパックの電力消費も非常に速いです。0°C以下または45°C以上の環境では充電しないでください。そうでなければバッテリーパックのパフォーマンスにも影響します。

保守とメンテナンス:

本機の交換・修理作業を行う前に、必ずプラグを抜いてください。

ご電動工具は、潤滑油の追加や他のメンテナンスを必要としません。電動工具の清掃には水や化学洗剤を使わないでください。乾いた布で拭いてください。工具は乾燥した環境で保管し、モーターの換気口を清潔に保ってください。ほこりの多い環境では使用しないでください。



廃棄したバッテリーパックの処理:

自然環境を保護するために、バッテリーパックを適切にリサイクルまたは廃棄してください。このバッテリーにはリチウム電池が含まれています。リサイクルおよび (/または) 処理については、地元の廃棄物処理部門にお問い合わせください。電動ハンドドリルを使用してバッテリーパックを完全に消耗し、バッテリーパックを取り外し、短絡や電気漏れを防ぐために、電極ポートを強力なテープで包んでください。部品を開けたり取り外したりしないでください。



環境保護:

廃棄物の処理

環境保護に対応するために、損傷を受けた機械、付属品および包装材料は、リサイクルを容易にするために詳細に分類されなければなりません。分類とリサイクルを容易にするために、プラスチック製の各部位は材料でマークされています。

Avisos generales de seguridad sobre herramientas eléctricas:



Lea todas las advertencias e instrucciones. El incumplimiento de las advertencias e instrucciones siguientes puede causar la descarga eléctrica, el incendio y/o la lesión grave. Guarde todas las advertencias y los manuales para la consulta futura. En todas las advertencias siguientes, el término "herramienta eléctrica" se refiere a la herramienta eléctrica alimentada por la red eléctrica (con cable) o la herramienta eléctrica alimentada por la batería (inalámbrica).

Advertencias generales de seguridad para herramienta eléctrica - Sitio de trabajo:

- 1) Mantenga limpio y brillante el sitio de trabajo. El sitio desordenado y oscuro puede causar accidente.
- 2) No opere la herramienta eléctrica en el entorno explosivo tal como el entorno con líquido, gas o polvo inflamable. Las chispas generadas por la herramienta eléctrica pueden encender el polvo o el gas.
- 3) Sólo opere la herramienta eléctrica después de que los niños y espectadores salgan. La distracción puede causar que el operador pierda el control de la herramienta.

Advertencias generales de seguridad para herramienta eléctrica - Seguridad eléctrica:

- 1) El enchufe macho de la herramienta eléctrica debe emparejarse con el tomacorriente. No remodele el enchufe macho en ninguna manera, para la herramienta eléctrica que necesita conectarse a tierra, no utilice ningún enchufe macho adaptador. El enchufe macho no remodelado y el tomacorriente emparejado reducirán el riesgo de descarga eléctrica.
- 2) Evite que el cuerpo humano contacte la superficie de puesta a tierra, por ejemplo, tubería, aletas de enfriamiento y refrigerador. Si su cuerpo está conectado a tierra, el riesgo de descarga eléctrica aumentará.
- 3) No exponga la herramienta eléctrica en la lluvia o el entorno húmedo. La entrada del agua en la herramienta eléctrica aumentará el riesgo de descarga eléctrica.
- 4) No abuse los cables. En ningún caso se debe utilizar el cable para transportar, tirar la herramienta eléctrica o quitar su enchufe macho. Deje que la herramienta eléctrica se aleje de las fuentes térmicas, los aceites, los bordes afilados o las piezas móviles. El cable blando dañado o enredado puede aumentar el riesgo de descarga eléctrica.
- 5) Al utilizar la herramienta eléctrica al aire libre, utilice el cable blando externo adaptable al uso al aire libre. El cable blando adaptable al uso al aire libre reducirá el riesgo de descarga eléctrica.
- 6) Si es inevitable operar la herramienta eléctrica bajo el entorno húmedo, se debe utilizar el protector de acción de corriente restante (RCD). El uso de RCD puede reducir el riesgo de descarga eléctrica.

Advertencias generales de seguridad para herramienta eléctrica - Seguridad personal:

- 1) Mantenga la alerta, al operar la herramienta eléctrica, concéntrese en la operación realizada y manténgase sobrio. Cuando se siente cansado, o tiene reacción de medicamento, alcohol o tratamiento, no opere la herramienta eléctrica. La ignorancia en el momento de operación de la herramienta eléctrica puede causar la lesión personal grave.
- 2) Utilice el dispositivo de protección personal. Siempre lleve gafas de protección. Los dispositivos de seguridad tales como la máscara contra polvo bajo condiciones adecuadas, calzados antideslizantes de seguridad, cascos de seguridad, protectores de oído, etc. pueden reducir la lesión personal.
- 3) Evite el arranque accidental, asegúrese de que el interruptor se encuentre en la posición apagada al conectar la alimentación y/ o la caja de batería, tomar o transportar la herramienta. Cuando el dedo se coloca en el interruptor ya encendido o enchufa el enchufe macho cuando el interruptor está encendido, es posible causar riesgos.
- 4) Antes de encender la herramienta eléctrica, quite todas las llaves de regulación o llaves. La llave quedada en los componentes rotativos de la herramienta eléctrica puede causar la lesión personal.
- 5) No extienda excesivamente las manos, preste atención al punto de pie y el equilibrio del cuerpo en todos los momentos. En esta manera, se puede controlar bien la herramienta eléctrica bajo la situación accidental.
- 6) Vístase de forma adecuada. No lleve ropa floja o los accesorios. Deje que la ropa, los guantes y el cabello se alejen de los componentes móviles. La ropa floja, los accesorios o el cabello largo pueden involucrarse en los componentes móviles.

- 7) Si se ha suministrado dispositivo utilizado para conectar con el dispositivo de descarga de residuos y dispositivo de recogida de polvo, asegúrese de que estén perfectamente conectados y se utilicen de forma adecuada. El uso de estos dispositivos puede reducir los riesgos causados por los residuos y polvo.

Advertencias generales de seguridad para herramienta eléctrica - Uso y Precauciones de Herramienta Eléctrica:

- 1) No abuse la herramienta eléctrica, utilice la herramienta eléctrica adecuada según sus propósitos. El uso de la herramienta eléctrica de diseño adecuado permite que su trabajo sea más eficiente y seguro.
- 2) Si el interruptor no puede encender o apagar la alimentación de la herramienta, no utilice esta herramienta eléctrica. La herramienta eléctrica que no puede ser controlada por el interruptor es peligrosa y se la necesita reparar.
- 3) Antes de realizar cualquier regulación, reemplazar los accesorios o almacenar la herramienta eléctrica, asegúrese de quitar el enchufe macho desde la alimentación y/o desconectar la caja de batería desde la herramienta. Esta medida protectora reducirá el riesgo de arranque accidental de la herramienta.
- 4) Almacene la herramienta eléctrica no usada fuera del alcance de los niños, y no deje que las personas no familiarizadas con la herramienta eléctrica o que no conozcan estas instrucciones operen la herramienta eléctrica. La herramienta eléctrica es peligrosa en la mano de los usuarios no capacitados.
- 5) Realice mantenimiento de la herramienta eléctrica. Verifique si los componentes móviles están bien regulados o están bloqueados, verifique la situación de daño de los componentes y otras situaciones que afectan la operación de la herramienta eléctrica. En caso de daño, la herramienta eléctrica debe ser reparada antes del uso, muchos accidentes son causados por la herramienta eléctrica de mal mantenimiento.
- 6) Mantenga apilados y limpios los cuchillos de corte. Los cuchillos de buen mantenimiento con hojas afilados de corte no se bloquearán fácilmente y pueden ser controlados de forma fácil.
- 7) Según el manual de usuario, utilice la herramienta eléctrica, los accesorios y los cuchillos de la herramienta según las condiciones de operación y las operaciones a realizar. El uso de la herramienta eléctrica en las operaciones distintas a sus propósitos puede causar riesgos.

Advertencias generales de seguridad para herramienta eléctrica - Uso y Precauciones de Herramienta de Tipo Batería :

- 1) Sólo utilice el cargador especificado por el fabricante para cargarla. El uso del cargador adaptable a cierto tipo de caja de batería en otro tipo de caja de batería causará riesgo de incendio.
- 2) Sólo utilice la herramienta eléctrica cuando está equipada con la caja de batería especial. El uso de otra caja de batería puede provocar riesgo de daño e incendio.
- 3) Cuando no se utiliza la caja de batería, manténgala alejada de otros objetos metálicos, por ejemplo, sujetapapeles, moneda, llave, clavo, tornillo u otros objetos metálicos pequeños, para evitar que un lado conecte con otro lado. El cortocircuito del extremo de la batería puede provocar quema o incendio.
- 4) Bajo las condiciones de abuso, el líquido puede salpicarse desde la batería, evite contactar con el cual. En caso de contacto por accidente, enjuáguelo con el agua. Si el líquido entra en contacto con los ojos, acuda al médico. El líquido salpicado de la batería puede provocar corrosión o quema.

Advertencias generales de seguridad para herramienta eléctrica - Reparación:

- 1) Deje que los reparadores profesionales utilicen las mismas piezas de repuesto para reparar la herramienta eléctrica. Eso garantizará la seguridad de la herramienta eléctrica reparada.

Requisitos especiales:

- 1) Antes de realizar cualquier reparación o mantenimiento de la máquina, quite el paquete de batería primero.
- 2) Se prohíbe colocar el equipo en la lluvia o el agua.
- 3) No almacene el paquete de batería bajo el entorno de temperatura superior a 40 C.
- 4) En caso de carga en el entorno de 0 a 30 C, la temperatura ideal de carga es 18 a 24 C.



- 5) Sólo se debe utilizar el cargador y el paquete de batería suministrados junto con el equipo actual.
- 6) Evite el cortocircuito de la conexión del paquete de batería, (por ejemplo, no deje que el perno, el clavo, etc. contacten con el polo positivo / negativo del paquete de batería)
- 7) Se prohíbe quemar el paquete de batería ni arrojarlo en el fuego, eso puede causar una explosión.
- 8) Se prohíbe cargar el paquete de batería ya dañado.
- 9) Si el cable de alimentación en el cargador está dañado, reemplácelo oportunamente.
- 10) Antes de quitar el paquete de batería, asegúrese de quitar el enchufe macho del cargador primero.
- 11) En el proceso de carga, el calentamiento del cargador y el paquete de batería pertenece a un fenómeno normal.
- 12) Cuando la máquina no está en uso, no enchufe el paquete de batería ya cargado en el cargador.
- 13) Al cumplir la carga, quite el paquete de batería del cargador inmediatamente.
- 14) Cuando el equipo funciona, el cuerpo del equipo y el paquete de batería pueden calentarse, eso es un fenómeno normal.
- 15) Se prohíbe colocar el paquete de batería residual en el fuego o junto con las basuras domésticas, se lo debe devolver a la estación de recogida local o el punto de reciclaje local.
- 16) Antes de atornillar tornillos o perforar en la pared, el piso, el techo, verifique cuidadosamente si hay cables y alambres, tuberías de gas natural o agua, con el fin de evitar el daño por el tornillo o la broca.
- 17) Utilice tapones de oído al usar el equipo, de lo contrario, la capacidad auditiva puede ser dañada.
- 18) Durante el funcionamiento del equipo, sus accesorios y componentes metálicos pueden calentarse, eso es un fenómeno normal.
- 19) Al operar el equipo, el equipo puede contactar con el cable oculto, asegúrese de agarrar la superficie de aislamiento del equipo.
El contacto con el conductor encendido puede causar el encendido del metal de la superficie del equipo y la descarga eléctrica del usuario.

**Advertencia:**

El paquete de batería puede someterse al fenómeno de fuga de líquido bajo la situación de temperatura excesiva o el uso excesivo. Si el líquido fugado de la batería entra en contacto con la piel, primero lávela con el jabón, luego utilice el jugo de limón y la vinagre para enjuagarla; en caso de contacto con los ojos por descuido, utilice inmediatamente el agua limpia para enjuagarla, y visite el hospital inmediatamente para la inspección y el tratamiento.

**Advertencia de seguridad del cargador:**

- 1) Lea el manual antes del uso.
- 2) Sólo para el uso en interiores, se prohíbe colocarlo en la lluvia o el agua.
- 3) Se prohíbe cargar la batería no recargable.
- 4) Si el cable blando de alimentación está dañado, para evitar el riesgo, debe ser reemplazado por el fabricante, su departamento de reparación o los profesionales de los departamentos similares.

Marca:

Para reducir las lesiones, el usuario debe leer cuidadosamente el manual



Se prohíbe colocarlo en la lluvia o el agua



Marca de advertencia



Se prohíbe colocarlo en el fuego



Utilice tapones de oído



No deseche la batería, entregue las baterías usadas al punto de recogida o reciclaje local para su reciclaje



Utilice gafas de protección



Utilice máscara contra polvo



Sólo para el uso en interiores



El cuerpo de este producto (excluyendo el paquete de batería) no contiene sustancia o elemento tóxico / nocivo, es un producto amigable al medio ambiente, puede ser reciclado después de la eliminación, por eso, no se lo debe desechar casualmente.



El paquete de batería de este producto contiene algunas sustancias tóxicas y nocivas. Puede ser utilizado sin preocupaciones dentro del plazo de uso de protección ambiental. Después del período de uso de protección ambiental, debe entrar en el sistema de circulación de reciclaje.

Nombre y contenido de sustancias o elementos tóxicos y nocivos en el producto:

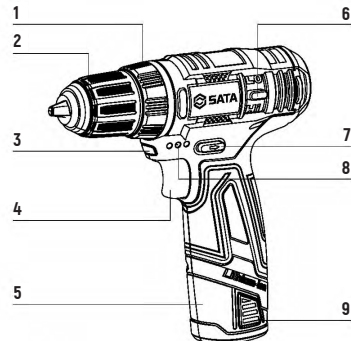
Batería	Sustancias o elementos tóxicos y nocivos					
	Plomo (Pb)	Mercurio (Hg)	Cadmio (Cd)	Cromo hexavalente (Cr(VI))	Bifenilo polibromado (PBB)	Éter de difenilo polibromado (PBDE)
	○	○	×	○	○	○

○ : Significa que el contenido de esta sustancia tóxica y nociva es por debajo del límite especificado en SJ/T11363-2006 en todos los materiales homogéneos del componente.

× : Significa que el contenido de esta sustancia tóxica y nociva excede el límite especificado en SJ/T11363-2006 por lo menos un material homogéneo de este componente. (En cuanto a la batería de níquel - cadmio, debido a las causas técnicas y económicas, provisionalmente no se puede realizar sustitución o reducción)

Componentes:

1. Anillo de regulación del torque
2. Cabeza de sujeción
3. Luz de trabajo
4. Interruptor de arranque y parada
5. Paquete de batería
6. Palanca de cambios mecánicos de dos marchas
7. Palanca de cambio de dirección
8. Visualización de energía eléctrica
9. Botón de bloqueo del paquete de batería

**Accesorios suministrados junto con el equipo:**

Modelo del equipo	Contenidos	Cantidad
-------------------	------------	----------

51005	Paquete de batería de litio de 2,0 Ah	2
	Cargador de 45min	1

Recomendamos que seleccione sus accesorios desde la tienda en que compra su herramienta eléctrica. Utilice los accesorios de alta calidad con marca famosa. Seleccione los accesorios correctos necesarios para su trabajo. Refiérase al embalaje del accesorio para obtener más métodos y ayudas sobre el uso del accesorio.

Especificaciones del equipo:

Modelo del equipo		51005
Voltaje		12V
Revoluciones sin carga		0-440/0-1450/rpm
Posición de regulación del torque		17+1
Torque máximo		30N·m
Capacidad máxima de sujeción		10mm
Capacidad de perforación	Acero	8mm
	Madera	20mm
Peso del equipo		1kg
Capacidad de la batería		2000mAh
Duración de carga		45min


Guía de operación:

Precaución: Antes de usar la máquina, lea cuidadosamente el manual.

Antes del uso:
1) Carga

El presente cargador debe usarse junto con el equipo, se prohíbe usar otro cargador.

Dentro del presente equipo hay circuito de protección, en caso de insuficiente energía en la batería, el circuito de protección se enciende, el equipo deja de girar.

Después del uso en el entorno de temperatura relativamente alto o el uso prolongado, el equipo puede estar caliente, en este momento, no lo cargue inmediatamente. Espere hasta que la batería se enfríe antes de cargarlo, de lo contrario, la vida útil de la batería reducirá o no se la puede cargar debido al sobrecalentamiento de la batería.

Al cargar el equipo por la primera vez o después de un largo período de estancamiento del equipo, la eficiencia del cargador de la primera carga puede alcanzar 60% solamente, debe pasar 2-3 veces de carga y descarga para que la eficiencia de la batería alcance 100%.

2) Instalación / desmontaje del paquete de batería (ver Figura A)

Cuando necesita quitar el paquete de batería, presione los botones de bloqueo en ambos lados del paquete de batería, luego tírelo



hacia afuera. Para insertar el paquete de batería, empújelo ligeramente en el equipo. No aplique fuerza excesiva.

Operación:**1. Arranque / cierre (ver Figura B) :**

Mantenga presionado el interruptor (1) , el equipo arranca, suéltelo, el equipo deja de funcionar. Este interruptor no tiene la función de frenado, después de soltar el interruptor, la cabeza de sujeción deja de girar inmediatamente.

La fuerza aplicada en el interruptor puede cambiar sus revoluciones. El rango de cambio es entre 0 y las revoluciones máximas. Si se aplica fuerza pequeña, las revoluciones están bajas, el uso de taladro es lento y estable, es fácil controlarlo. No deje que el equipo deje de funcionar debido a carga excesiva soportada.

**Advertencia:**

No lo opere en baja velocidad de forma prolongada, de lo contrario, se generará el calor excesivo en el interior del equipo.

2. Bloqueo del interruptor (ver Figura B) :

El interruptor tiene la función de protección de bloqueo, eso puede reducir el arranque erróneo del taladro eléctrico manual cuando se lo necesita usar. Regule la palanca de dirección (2) a la posición central para bloquear el equipo.

3. Cambio de la dirección de giro (ver Figura B) :

Giro en sentido horario: Empuje el lado con " ← " de la palanca de dirección al tope (muévela al lado izquierdo) para perforar y atornillar el tornillo. Giro en sentido antihorario: : Empuje el lado con " → " de la palanca de dirección al tope (muévela al lado derecho) para soltar o desatornillar el tornillo.

**Advertencia:**

Sólo cambie la dirección de giro cuando el equipo esté completamente estático.

4. Cambio de velocidad (ver Figura C) :

- 1) Mueve la palanca de cambios (3) hacia abajo a las revoluciones Lo:
Par torsional alto / revoluciones bajas, utilizado para perforar la broca relativamente gruesa o atornillar el tornillo.
- 2) Mueve la palanca de cambios (3) hacia arriba a las revoluciones Hi:
Par torsional bajo / revoluciones altas, utilizado para perforar la broca relativamente fina.

Cuando la palanca de cambios mecánicos no se puede mover debido a la colisión de dientes del embrague, presione ligeramente el interruptor para que el electromotor gire un poco antes de cambiar la marcha.

**Advertencia:**

Sólo cambie las revoluciones cuando el equipo esté completamente estático.

5. Instalación o desmontaje de la broca (ver Figura D) :


Precaución: Al instalar o desmontar la broca, asegúrese de comprobar que el taladro eléctrico esté apagado y el paquete de batería se haya quitado.

Agarre el equipo con una mano, agarre el anillo de encaje de la cabeza de sujeción con otra mano, gírela en sentido antihorario para abrir la cabeza de sujeción, monte la broca en la cabeza de sujeción y empújela al tope siempre cuando sea posible, luego agarre firmemente el anillo de encaje y gírelo en sentido horario para fijar la cabeza de sujeción. Al desmontar la broca, agarre el anillo de encaje y gírelo en sentido antihorario.

6. Ajuste de fuerza torsional y función de perforación (ver Figura E) :

Gire el anillo de regulación de fuerza torsional para regular la fuerza torsional del equipo. Cuando el número 1 sobre el anillo de regulación de la fuerza torsional apunte la flecha de indicación sobre el equipo, la fuerza torsional es mínima, cuando la marca sobre el anillo de regulación de la fuerza torsional apunte la flecha de sobre el equipo, la fuerza torsional es máxima.

La referencia de ajuste se muestra a continuación:

1-4	Giro del tornillo pequeño
5-8	Atornille el tornillo en el material blando
9-12	Atornille el tornillo en el material blanco y el material relativamente sólido
13-16	Atornille el tornillo en el material sólido
17	Atornille el tornillo relativamente grande
	Perforación de alta intensidad

7. Luz de trabajo:

El equipo está equipado con la luz de iluminación: Al presionar el interruptor del equipo, la luz de iluminación se enciende; al soltar el interruptor, la luz de iluminación se apaga.

8. Autobloqueo del eje principal:

La función de autobloqueo del eje principal puede operar el equipo como una herramienta manual. Cuando la energía eléctrica del paquete de batería se ha agotado, se puede girar manualmente el equipo para apretar o desatornillar el tornillo o realizar otras operaciones, en este caso, la cabeza de sujeción se permanece fija.

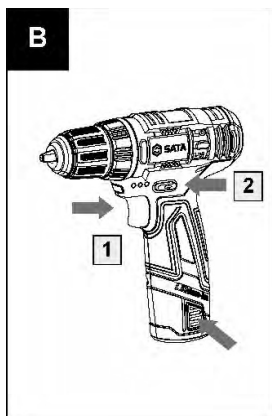
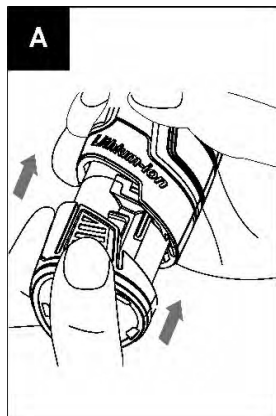
9. Operación de perforación :

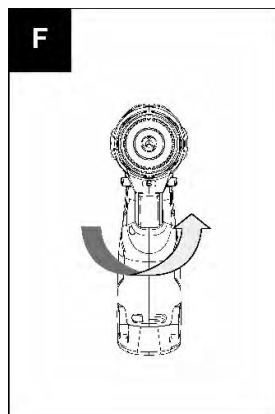
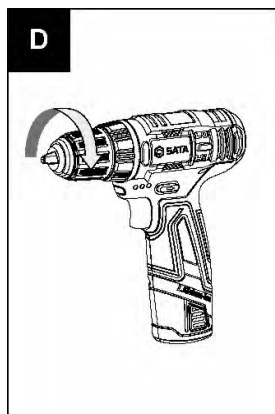
Al perforar agujero en la superficie del material duro, primero se puede utilizar un punzón afilado y martillo para realizar una marca en la posición que desea perforar, para evitar el deslizamiento de la broca. Agarre firmemente el taladro eléctrico manual, apunte la punta de la broca a la marca, presione el interruptor para perforar. Perfere con la presión adecuada, no aplique excesiva presión ni aplique la presión desviada alargado el diámetro del agujero.



Precaución:

Al perforar en el material metálico, utilice la broca de acero de alta velocidad intacta. Al utilizar el desatornillador corto, utilice la varilla de conexión magnética (excluida) . Al atornillar el tornillo, recubra una pequeña cantidad de líquido jabonoso u otro lubricante en las roscas para atornillararlo de forma fácil.




Contesta de preguntas:

- 1) ¿Por qué el equipo no funciona después de presionar el interruptor?
Hay una palanca de dirección en la parte superior del interruptor. Que se encuentra en la posición bloqueada. Conmútela a la dirección en que desea girar, luego presione el botón, el equipo empieza a girar.
- 2) ¿Por qué el taladro eléctrico manual deja de funcionar cuando el tornillo todavía no está apretado?
En este momento, regule el anillo de regulación de fuerza torsional entre el cuerpo del equipo y la cabeza de sujeción. La fuerza torsional correspondiente a la posición 1 es mínima, la fuerza torsional correspondiente a la posición es máxima. Regule el anillo de regulación de fuerza torsional a una posición más alta para resolver este problema.
- 3) ¿Por qué la duración de funcionamiento varía en el mismo paquete de batería?
Como se menciona antes, si un paquete de batería no se utiliza durante un largo tiempo, su duración de funcionamiento reducirá, eso es el problema de veces de carga. Después de varias veces de carga y uso, este estado se mejorará. Cuando se realiza trabajos duros, por ejemplo, al atornillar tornillo grande en madera dura, la energía del paquete de batería puede consumirse de forma muy rápida. No cargue en el entorno por debajo de 0 C o por encima de 45 C, eso también puede afectar el rendimiento de funcionamiento del paquete de batería. cargue en el entorno por debajo de 0 C o por encima de 45 C, eso también puede afectar el rendimiento de funcionamiento del paquete de batería.

Cuidado y mantenimiento:

Asegúrese de quitar el enchufe macho antes de realizar cualquier trabajo de reemplazo o reparación del equipo.

Su herramienta eléctrica no requiere la agregación de lubricante u otro mantenimiento. No utilice agua o detergente químico para limpiar su herramienta eléctrica, utilice el paño seco para limpiarla. La herramienta debe almacenarse en el entorno seco, y mantenga limpia la boca de ventilación del motor. No la utilice en el entorno polvoriento siempre cuando sea posible.


Tratamiento del paquete de batería residual:

Para proteger el entorno natural, recicle o trate el paquete de batería de forma adecuada. Este paquete de batería contiene batería de litio. Consulte el sector de tratamiento de residuos local la información de reciclaje y/o tratamiento. Agote la energía de paquete de batería mediante el uso del taladro eléctrico manual, desmonte el paquete de batería, utilice la cinta adhesiva sólida para envolver los terminales de la placa de electrodo para evitar el cortocircuito y la fuga eléctrica. No intente abrir o desmontar ningún componente.


Protección ambiental:

Tratamiento de residuos

Para la protección ambiental, los equipos, accesorios y materiales de embalajes dañados deben ser clasificados antes del tratamiento para facilitar su reciclaje. Para facilitar el reciclaje por clasificación, se debe añadir identificación de materiales en diversas partes de plástico.

适用型号 / Model/ Anwendbare Modelle/Применимая модель
적용사이즈 / Modelosaplicáveis / 適用モデル / Modelo aplicable:

51005

版本号 / Version No / Versionsnummer / Номер версии
버전 번호 / Versão no. / バージョン番号 / No. de versión:

V-SC-51005-1119

世达工具（上海）有限公司

SATA TOOL (SHANGHAI) LIMITED

Sata Werkzeuge (Shanghai) GmbH

ООО Шанхайская компания по производству инструментов SATA

사타 공구 (상하이) 유한회사

Ferramentas Sata (Xangai) Co., Ltda.

世達工具（上海）有限公司

SATA Tools (Shanghai) Co., Ltd.

客户服务：上海市浦东新区碧波路 177 号 A 座 302 室

Customer service: Room 302, Area A, No. 177, Bibo Road, Pudong New Area, Shanghai

Kundendienst: Raum 302, Gebäude A, Bibo Straße 177, Pudong-Neubezirk, Shanghai

Обслуживание клиентов: Офис 302, здание А, ул. Бибо 177, новый район Пудун, г. Шанхай

고객 서비스 : 상하이시 푸둥신구 비보로 177 번 A 동 302 실

Atendimento ao Cliente: Rua Bibo, No.177, Sala 302, Bloco A, Novo Distrito de Pudong, Xangai

アフターサービス：上海市浦东新区碧波路 177 号 A 棟 302 室

Servicio al cliente: Calle Bibo N.º 177, Bloque A, Oficina 302, Nueva Área de Pudong, Shanghai.

邮编 / Post / Postleitzahl / Почтовый индекс / 우편번호 / Código Postal / 郵便番号 / Código postal: 201203

电话 / Tel./ Tel./ Тел./ 전화 / Tel. / 電話番号 / Tel.: [86 21] 6061 1919

传真 / Fax/Fax/Факс./ 팩스 / Fax/ ファックス番号 / Fax: [86 21] 6061 1918