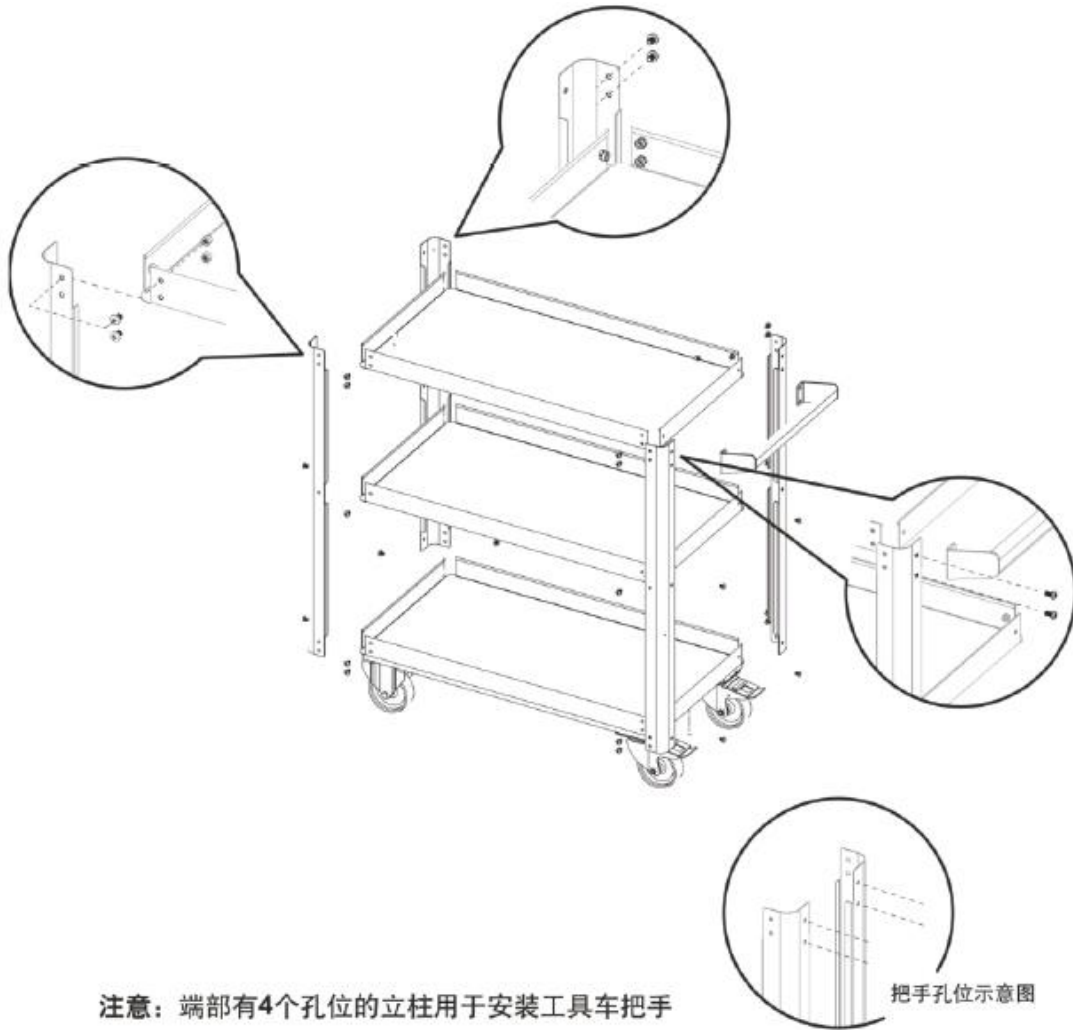


## 安装说明

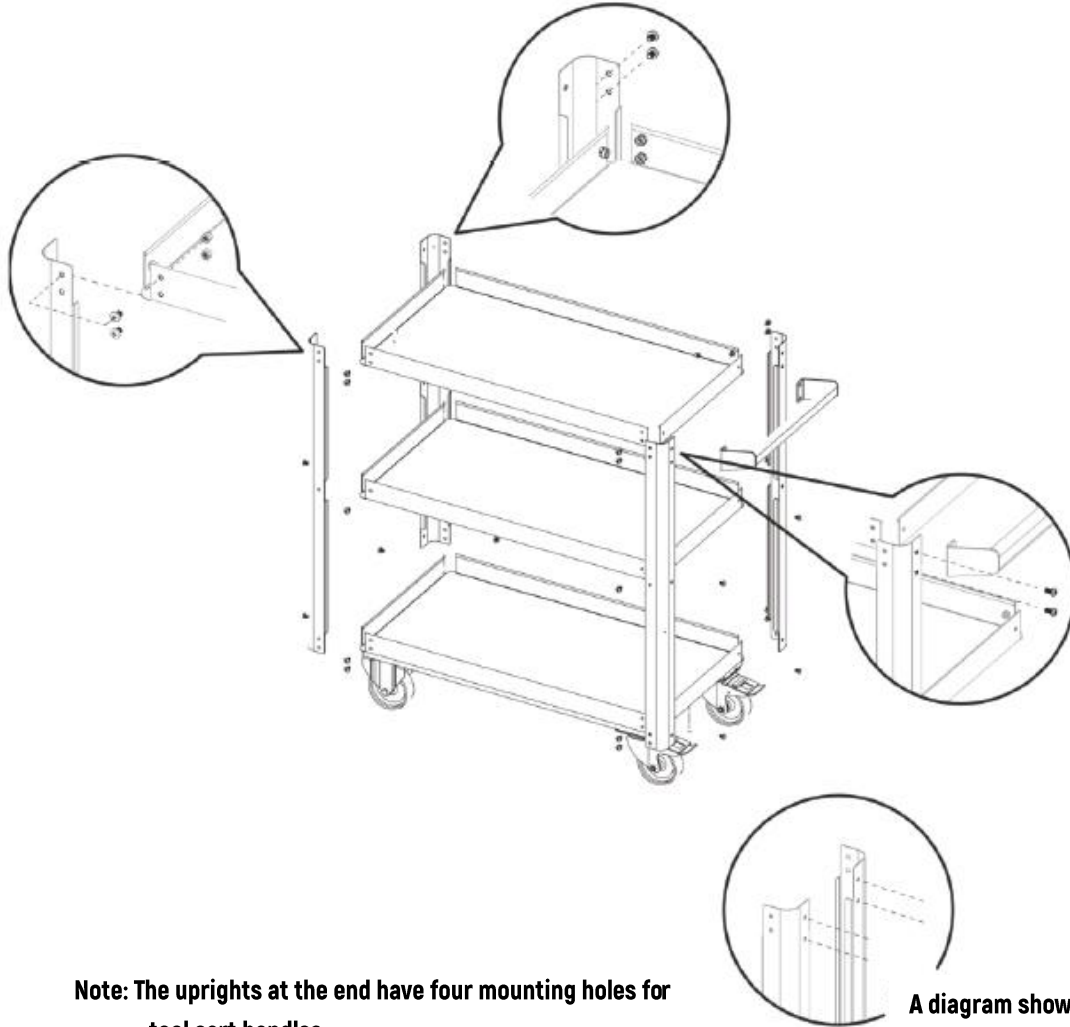
请按照以下图片示意，对 95222A 三层零件车进行安装：



注意：端部有4个孔位的立柱用于安装工具车把手

**Installation instructions**

**Please follow the instructions below and assemble the 95222A according to the pictures:**



**Note: The uprights at the end have four mounting holes for tool cart handles.**

**A diagram showing the location of handholes.**