



12V J-series Li-ion Drill/Screwdriver J系列锂电电钻 / 起子机

51006C ← 51006C



中文

使用说明书

EN

OPERATION INSTRUCTION



电动工具的通用安全警告：

警告

阅读随电动工具提供的所有安全警告、说明、图示和规定。不遵照以下所列说明会导致电击、着火和/或严重伤害。

保存所有警告和说明书以备查阅。

警告中的术语“电动工具”是指市电驱动（有线）电动工具或电池驱动（无线）电动工具。

a) 工作场地的安全

- 1) 保持工作场地清洁和明亮。杂乱和黑暗的场地会引发事故。
- 2) 不要在易爆环境，如有易燃液体、气体或粉尘的环境下操作电动工具。电动工具产生的火花会点燃粉尘或气体。
- 3) 操作电动工具时，远离儿童和旁观者。注意力不集中会使你失去对工具的控制。

b) 电气安全

- 1) 电动工具插头必须与插座相配。绝不能以任何方式改装插头。需接地的电动工具不能使用任何转换插头。未经改装的插头和相配的插座将降低电击风险。
- 2) 避免人体接触接地表面，如管道、散热片和冰箱。如果你身体接触接地表面会增加电击风险。
- 3) 不得将电动工具暴露在雨中或潮湿环境中。水进入电动工具将增加电击风险。
- 4) 不得滥用软线。绝不能用软线搬运、拉动电动工具或拔出其插头。使软线远离热源、油、锐边或运动部件。受损或缠绕的软线会增加电击风险。
- 5) 当在户外使用电动工具时，用的延长线。适合户外使用。降低电击风险。
- 6) 如果无法避免在潮湿环境中操作电动工具，应使用带有剩余电流装置（RCD）保护的电

源。RCD 的使用可降低电击风险。

注：术语“剩余电流装置（RCD）”可以用“接地故障电路断路器（GFCI）”或“接地泄漏电路断路器（ELCB）”术语代替。

c) 人身安全

- 1) 保持警觉，当操作电动工具时关注所从事的操作并保持清醒。当你感到疲倦，或在有药物、酒精或治疗反应时，不要操作电动工具。在操作电动工具时瞬间的疏忽会导致严重人身伤害。
- 2) 使用个人防护装置。始终佩戴护目镜。防护装置，诸如适当条件下使用防尘面具、防滑安全鞋、安全帽、听力防护等装置能减少人身伤害。
- 3) 防止意外起动。在连接电源和/或电池包、拿起或搬运工具前确保开关处于关断位置。手指放在开关上搬运工具或开关处于接通时通电会导致危险。
- 4) 在电动工具接通之前，拿掉所有调节钥匙或扳手。遗留在电动工具旋转零件上的扳手或钥匙会导致人身伤害。
- 5) 手不要过分伸展。时刻注意立足点和身体平衡。这样能在意外情况下能更好地控制住电动工具。
- 6) 着装适当。不要穿宽松衣服或佩戴饰品。让你的头发和衣服远离运动部件。宽松衣服、佩饰或长发可能会卷入运动部件。
- 7) 如果提供了与排屑、集尘设备连接用的装置，要确保他们连接完好且使用得当。使用集尘装置可降低尘屑引起的危险。
- 8) 不要因为频繁使用工具而产生的熟悉感而掉以轻心，忽视工具的安全准则。某个粗心的动作可能在瞬间导致严重的伤害。

V-SC-51006C-202105 所有左下角的版本号都这样改

注意事项

使用电动工具，根据用途使用合适的电动工具。选用合适的按照额定值设计的电动工具会使你工作更有效、更安全。

- 2) 如果开关不能接通或关断电源，则不能使用该电动工具。不能通过开关来控制的电动工具是危险的且必须进行修理。
- 3) 在进行任何调节、更换附件或贮存电动工具之前，必须从电源上拔掉插头和 / 或卸下电池包（如可拆卸）。这种防护性的安全措施降低了电动工具意外起动的风险。
- 4) 将闲置不用的电动工具贮存在儿童所及范围之外，并且不允许不熟悉电动工具和不了解这些说明的人操作电动工具。电动工具在未经培训的使用者手中是危险的。
- 5) 维护电动工具及其附件。检查运动部件是否调整到位或卡住，检查零件破损情况和影响电动工具运行的其他状况。如有损坏，应在使用前修理好电动工具。许多事故是由维护不良的电动工具引发的。
- 6) 保持切削刀具锋利和清洁。维护良好地有锋利切削刃的刀具不易卡住而且容易控制。
- 7) 按照使用说明书，并考虑作业条件和要进行的作业来选择电动工具、附件和工具的刀头等。将电动工具用于那些与其用途不符的操作可能会导致危险情况。
- 8) 保持手柄和握持表面干燥、清洁，不得沾有油脂。在意外的情况下，湿滑的手柄不能保证握持的安全和对工具的控制。

e) 电池式工具使用和注意事项

- 1) 仅使用生产者规定的充电器充电。将适用于某种电池包的充电器用到其他电池包时可能会发生着火危险。
- 2) 仅使用配有专用电池包的电动工具。使用其他电池包可能会产生伤害或着火危险。
- 3) 当电池包不用时，将它远离其他金属物品，例如回形针、硬币、钥匙、钉子、螺钉或其他小金属物体，以防电池包一端与另一端连接。电池组端部短路可能会引起燃烧或着火。
- 4) 在滥用条件下，液体可能会从电池组中溅出；应避免接触。如果意外碰到液体，用水冲洗。如果液体碰到眼睛，还应寻求医疗帮助。从电池中溅出的液体可能会发生腐蚀或燃烧。

- 5) 不要使用损坏或改装过的电池包或工具。损坏或改装过的电池组可能呈现出无法预测的结果，导致着火、爆炸或伤害。
- 6) 不要将电池包暴露于火或高温中。电池包暴露于火或高于 130°C 的高温中可能导致爆炸。

f) 维修

- 1) 让专业维修人员使用相同的备件维修电动工具。这将保证所维修的电动工具的安全。
- 2) 决不能维修损坏的电池包。电池包仅能由生产者或者授权的维修服务商进行维修。

电钻安全警告：

当在钻削附件可能触及暗线或其自身导线的场合进行操作时，要通过绝缘握持面握持工具。钻削附件碰到带电导线会使工具外露的金属零件带电而使操作者受到电击。

51006C 右下角页
脚全改

标记



为减少伤害，用户应仔细阅读说明书



禁止置于雨或水中



警告标记



禁止置于火中



请戴防护耳罩



请勿丢弃电池，将废旧电池送回到你当地收集或回收点回收



请戴防护眼镜



该产品包含有某些有毒有害物质，在环保使用期限内可以放心使用，超过环保使用期限之后则应该进入回收循环系统。



请戴防尘面具



仅在室内使用

产品中有毒有害物质或元素的名称及含量

部件名称	有毒有害物质或元素					
	铅 (Pb)	汞 (Hg)	镉 (Cd)	六价铬 (Cr(VI))	多溴联苯 (PBB)	多溴二苯醚 (PBDE)
外壳的金属部分	○	○	○	○	○	○
外壳的非金属部分	○	○	○	○	○	○
机械传动机构	×	○	○	○	○	○
电机组件	×	○	○	○	○	○
控制组件	×	○	○	○	○	○
附件	○	○	○	○	○	○
配件	○	○	○	○	○	○
连接件	×	○	○	○	○	○
电源线 * ①	○	○	○	○	○	○
电池系统 * ②	×	○	○	○	○	○

本表格依据 SJ/T11364 的规定编制。

○：表示该有害物质在该部件所有均质材料中的含量均在 GB/T 26572 规定的限量要求以下。

×：表示该有害物质至少在该部件的某一均质材料中的含量超出 GB/T 26572 规定的限量要求。

且目前业界没有成熟的替代方案，符合欧盟 RoHS 指令环保要求。

* ①适用于采用电源线连接供电的产品。

* ②适用于采用充电电池供电的产品。

产品环保使用期限内的使用条件参见产品说明书。

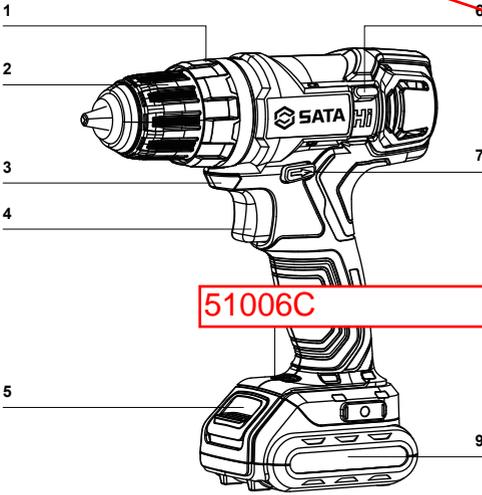
随机附件

机器型号	内容	数量
51006C	2.0 安时锂电 电池包	1
	30 分钟 充电器	1

我们建议您从所购买电动工具的商店选配您的附件。请使用有知名品牌的**高质量的附件**。请选择适合您工作所需**改为1个**。您将获得附件使用的更多的方法及帮助。

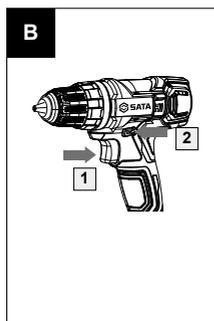
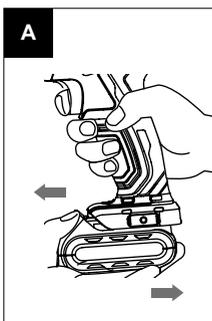
机器规格

机器型号	51006C	
电压	12 V	
空载转速	0-440 / 0-1450 / 转 / 分钟	
扭力调节档位	17+1	
最大扭矩	30 牛顿·米	
最大夹持能力	10 毫米	
钻孔能力	钢材	8 毫米
	木材	20 毫米
机器重量	1.1 千克	
电池容量	2000 毫安时	
充电时间	30 分钟	



机件:

1. 扭力调节圈
2. 夹头
3. 工作灯
4. 起停开关
5. 电池包锁钮
6. 两档机械变速拨杆
7. 换向拨杆
8. 电量显示
9. 电池包



操作指南



注意：使用机器前，请仔细阅读说明书。

使用之前

1) 充电

本充电器和机器需配套使用，严禁使用其他充电器。

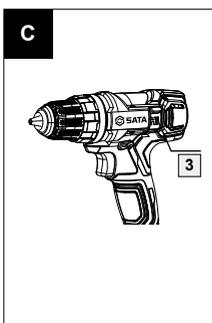
本机器内设保护线路，当电池电量不足时，保护线路开启，机器停止转动。

在温度较高的环境中或者长时间使用后，机器可能会发烫，这时请不要立即充电，待电池冷却后再充电，否则将缩短电池的使用寿命或者因电池过热导致无法充电。

机器首次充电时或者长时间不用后，第一次充电器效率可能只能达到 60% 左右，需经 2-3 次的充放电之后，电池效率方可达到 100%。

2) 安装 / 拆除电池包（见图 A）

要取出电池包时，按下电池包两侧的锁钮，然后将其拉出。要插入电池包时，只要将其轻推入机器即可。切忌用力过猛。

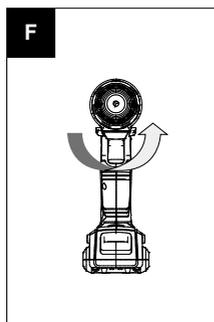


操作

1. 启动 / 关闭（见图 B）

按住开关（1），机器启动，松开则机器停止运转。该开关设有制动功能，松开开关后，夹头立即停止转动。

在开关上的施力大小，可改变转速。改变范围在 0 至最大转速间。施力小，转速低，起钻缓稳容易控制。勿让机器因承受过大的负荷而停止运转。



警告

请勿长时间低速操作，否则机器内部会产生过热反应。

2. 开关锁定（见图 B）

开关具有锁住保护功能，有利于减少在没有使用的情况下误启动手电钻。将转向拨杆（2）调节至正中位置，就可以将机器锁住。

3. 改变旋转方向（见图 B）

正转：把转向拨杆标有“”一面推到底（移至左侧），可用于钻孔和旋入螺丝。反转：把转向拨杆标有“”的一面推到底（移至右侧），可用于转松或转出螺丝。

警告

机器完全静止后方可变换转向。

4. 变速（见图 C）

1. 将变速拨杆（3）向下拨动至 Lo 档转速：
高转矩 / 低转速，用于钻入较粗的钻头或者旋入螺丝。
2. 将变速拨杆（3）向上拨动至 Hi 档转速：
低转矩 / 高转速，用于钻入较细的钻头。

当机械变速拨杆由于齿轮撞齿而无法拨动时，轻按开关让电机旋转一下再换档。

警告

机器完全静止后方可变换转速。

5. 安装或拆卸钻头（见图 D）

注意：在安装或拆卸钻头时，一定先确认电钻是否已关掉，电池包是否已取出。

一手握持机器，另一手握住夹头套环，逆时针方向旋转来打开夹头，将钻头装入夹头，尽量将其推到底，再握紧套环顺时针旋转来固紧夹头。拆卸钻头时，握住套环逆时针旋转即可。

6. 设定扭力和钻孔功能（见图 E）

转动扭力调节圈以调节机器扭力。当扭力调节圈上的数字 1 对准机器上方的指示箭头时，扭力最小，当扭力调节圈上的标记对准机器上方的指示箭头时，扭力最大。

设定使用参考如下：

1 - 4	旋转小的螺丝
5 - 8	将螺丝旋入松软材料
9 - 12	将螺丝拧入松软和较坚硬材料
13 - 15	将螺丝旋入坚硬材料
16 - 17	旋入较大的螺丝
	高强度钻孔

7. 工作灯

机器带有照明工作灯：当使用机器按下开关时，照明灯亮；松开，照明灯熄灭。

8. 主轴自锁（见图 F）

主轴自锁功能可以使机器作为手动工具操作。在电池包电量耗尽时，可以手动旋转机器来旋紧或旋松螺钉等操作，此时，夹头是固定不动的。

9. 电池电量显示

按下机器开关，电量指示灯亮 5 秒，可按照下表判断电池包剩余电量。

LED 灯显示	剩余电量
	0-25%
	25-50%
	50-75%
	75-100%

10. 钻孔操作

在硬质材料表面钻孔时，可先用一个尖冲头和锤子想要在想要钻孔的部位作一标记，以防钻头打滑。握紧手电钻，将钻头尖对准标记，按下开关进行钻孔操作。以适当的压力钻入，请勿过分施压或使用偏移的压力而使孔径变大。

注意

在金属材质上钻孔时，请使用完好的高速钢钻头。使用短小的螺丝批头时，请利用磁性连接杆（不含）。拧螺丝时，在螺纹上涂抹少许肥皂液或其他润滑液，以便轻松拧入。

问题解答：

1、为什么按压开关而机器却不运转？

在开关上部有一个转向拨杆，处在锁住的位置。将其拨向需要转动方向的位置，再按下按钮，机器就会开始转动。

2、为什么在螺钉还未拧紧时，手电钻就停止运转？

机器带有低压保护，在电池包电量过低时，机器不能工作，请确认电池包电量。

本机带有温度保护，当长时间满负荷工作时，电池包会过热，温保系统会启动导致机器停止运转，请将机器冷却到常温后再继续使用。

请调节在机身和夹头之间的扭力调节圈。位置 1 对应的扭力最小，位置  对应的扭力最大。把扭力调节圈调节到更高档位就可以解决此问题了。

3、为什么同一个电池包的工作时间会有长有短？

如上所说，一个电池包如果放置时间过长而不使用的话，就会缩短其工作时间，这就是充电次数问题。在经过几次充电和使用之后，这种状况就会得到改善。在干重活时，例如往硬木材里拧大螺钉，电池包的电量也会消耗的很快。不要在 0°C 以下或 45°C 以上的环境里充电，这同样会影响到电池包的工作表现。

保养与维护

对机器作任何换修工作之前，请务必先拔出插头。

您的电动工具不需要再添加润滑油或进行其它保养。不要用水或化学清洗剂来清洗你的电动工具，用干布擦拭干净就可以了。工具需储藏于干燥的环境中，并保持马达通风口处的清洁。尽量不要在灰尘较大的环境中使用。

废弃电池包的处理



为保护自然环境，请妥善回收或处理电池包。该电池包含有锂电池。请向当地废物处理部门咨询有关回收和（/或）处理的信息。通过使用手电钻把电池包电量耗尽，卸下电池包，用结实的胶带包裹好极片端口，避免短路和漏电。请勿试图打开或拆取任何部件。

环境保护



处理废弃物

为了响应环保，对于坏损的机器、配件及包装材料必须详细加以分类处理，以便于回收。

为方便分类回收，各塑胶部位都做有材料标识。

GENERAL SAFETY WARNING OF ELECTRIC TOOL:

WARNING

Read all safety warnings, instructions, diagrams and regulations provided with the electric tool. Failure to follow the instructions listed below may result in electric shock, fire and/or serious injury.

Keep all warnings and instruction for review.

"Electric tool" in the warnings refers to the electric tool driven by mains supply (wired) or the battery (wireless).

a) Workplace safety

- 1) **Keep the work area clean and bright.**
Disordered and dark site may cause accidents.
- 2) **Do not operate the electric tool in the explosive environment such as the flammable liquid, gas or dust.** The spark generated by the electric tool will ignite the dust or gas.
- 3) **Keep away from children and bystanders when operating the electric tool.**
Inattention may cause you to lose control of tool.

b) Electrical Safety

- 1) **Plug of electric tool shall be supported by the socket. Never modify the plug in any way.** Any change-over plug shall not be used for the electric tool to be grounded. Unmodified plug and corresponding socket will reduce the risk of electric shock.
- 2) **Do not contact the grounded surface such as the pipe, cooling fin and refrigerator.** If your body is grounded, the risk of electric shock will increase.

- 3) **Do not expose the electric tool to the rain or moisture.** Water entering the electric tool will increase the risk of electric shock.
- 4) **Do not abuse the cord. Never carry, pull the electric tool with cord or pull out its plug. Keep the cord away from heat source, oil, sharp edges or moving parts.** Damaged or entangled cords may increase the risk of electric shock.
- 5) **For the outdoor application, an extension cord for outdoor use shall be used.** A cord suitable for outdoor will reduce the risk of electric shock.
- 6) **If it is inevitable to operate the electric tool in the humid conditions, the residual current device (RCD) shall be used.** RCD is able to reduce the risk of electric shock.

Note: "residual current device (RCD)". may be replaced by the "ground fault circuit interrupter (GFCI)" or "earth leakage circuit breaker (ELCB)".

c) Personal safety

- 1) **Keep alert and awake when operating the electric tool. Do not operate the electric tool when you are tired or have medication, alcohol or a therapeutic response.** Instantaneous negligence in the operation of electric tool may result in serious personal injury.
- 2) **Wear the personal protective equipment. Always wear the goggles.** Protective devices, such as the dust mask, anti-slip safety shoes, helmet, listening protection, etc., are able to reduce the personal injury.
- 3) **Prevent the accidental starting. Make sure that the switch is turned off when connecting the power supply and/or**

battery box, picking up or carrying the tool. Putting the finger on the switch or powering on when the switch is turned on may result in the danger.

4) Remove all adjustment keys or wrenches before turning on the electric tool. A wrench or key left on the rotating part of electric tool may cause the personal injury.

5) Do not stretch your hands excessively. Always pay attention to the foothold and body balance. This provides excellent control of electric tool in unexpected situations.

6) Dress properly. Do not wear loose clothing or jewelry. Keep your hair and clothes away from moving parts. Loose clothes, accessories or long hair may get caught in moving parts.

7) If a device for connecting the chip conveyor and dust collector is provided, make sure that they are connected well and used properly. Dust collector is able to reduce the risk of dust.

8) Don't take it lightly because of the familiarity of tool, and ignore the safety guidelines of tool. A careless action may cause the serious injury in an instant.

d) Use and precautions of electric tool

1) Do not use the improper electric tool and select the appropriate electric tool according to the application. The electric tool appropriately designed according to the rated value will make your work more efficient and safer.

2) The electric tool shall not be used if the switch is unable to turn on/off the power. Electric tools that cannot be controlled with switches are dangerous and shall be repaired.

3) Before making any adjustments, replacing the accessories or storing the electric tool, remove the plug from the power supply and/or disengage the battery box (if possible). This protective safety measure reduces the risk of accidental starting of the electric tool.

4) Place the unused electric tool outside the reach of children, and do not let the electric tool operated by the people who are not familiar with the electric tool or who do not understand these instructions. The electric tool is a potential threat in the hands of untrained users.

5) Maintenance of electric tool and its accessories Check whether the moving parts are in place or stuck, check the parts for damage and other conditions that affect the operation of electric tool. The damaged electric tool shall be repaired before use. Many accidents are caused by poorly maintained electric tools.

6) Keep the cutting tool sharp and clean. Well-maintained tools with sharp cutting edges are not easy to get stuck and easy to control.

7) Use the electric tool, accessories, cutter bit, etc. in accordance with the instructions, taking into account the operating conditions and works to be performed. Applying the electric tool for operations that do not match the purpose may be dangerous.

8) Keep the handle and grip surface dry and clean and free from grease. In case of accident, the slippery handle can not guarantee the gripping safety and the control of tool.

e) Use and precautions of battery tool

- 1) **Charge the battery only with the charger specified by the manufacturer.** Unmatched charger and battery pack may cause the risk of fire.
- 2) **Use the electric tool only if a dedicated battery pack is provided.** Unmatched battery pack may cause the risk of damage and fire.
- 3) **When the battery pack is not in use, keep it away from other metal objects, such as the clip, coin, key, nail, screw or others, to prevent one end from being connected to the other end.** A short circuit at the end of battery may cause a fire.
- 4) **The abuse will make the liquid splash out of the battery. Therefore, the exposure shall be avoided.** In case of accidental exposure, rinse it with water. In case of splash into the eye, seek the medical assistance. Liquid spilled from the battery may cause the corrosion or burning.
- 5) **Do not use damaged or modified battery packs or tools.** Damaged or modified battery packs may present the unpredictable results, causing the fire, explosion or injury.
- 6) **Do not expose the battery pack to fire or heat.** Battery pack exposed to fire or high temperatures above 130 °C may cause an explosion.

f) Repair

- 1) **Have the qualified maintenance personnel to repair the electric tool with the same spare parts.** This will ensure the safety of the electric tool being repaired.
- 2) **Never repair a damaged battery pack.** The battery pack can only be repaired

by the manufacturer or an authorized service provider.

SAFETY WARNING OF DRILL:

If the drilling accessories may touch the concealed wire or its own wire, hold the tool at the insulating grip surface. The drilling accessories touching the live wire may cause the exposed metal parts of tool to be electrified to shock the operator.

MARK



To reduce the damage, the user shall read the warning marks in instructions carefully



Warning marks



Please wear the earmuffs



Please wear the protective glasses



Please wear the dust mask



Only for indoors



Do not place the machine in the rain or water



Do not place it in the fire

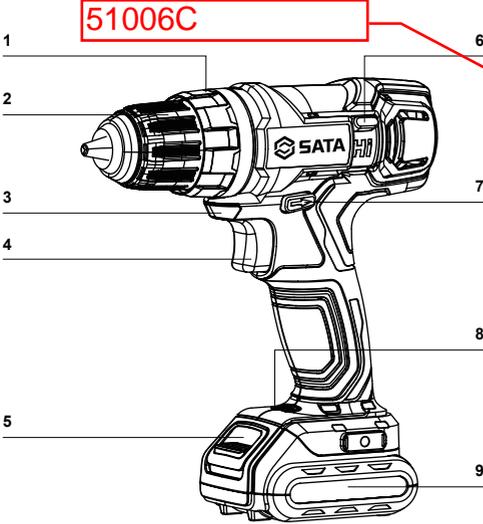


Do not discard the battery and return the used battery to the local collection or recycling point.



It may be recycled and shall not be discarded at will. The battery pack contains certain toxic and harmful substances, and may be used safely during the environment-friendly use period. After the above period is expired, it shall be put into the recycling system.

Accompanied accessories:



Machine part:

1. Torque adjusting ring
2. Chuck
3. Work light
4. Start/stop switch
5. Battery pack lock button
6. Two-position mechanical shift yoke
7. Reversing yoke
8. Battery level display
9. Battery pack

12V后面加直流符号

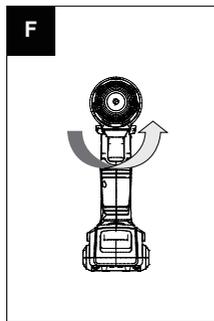
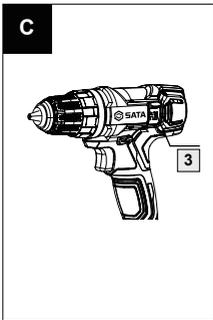
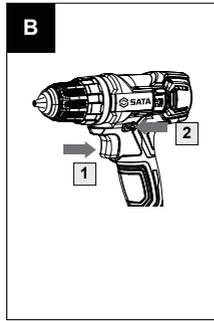
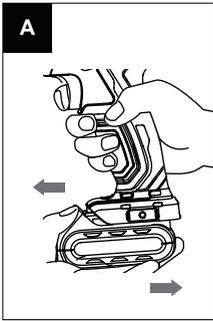
51006C

Model	Content	Quantity
51006C	2.0 Ah Li-ion battery pack	1
	30min charger	1

We recommend that you choose the accessories from the store where you purchased the electric tool. **改为1个** high-quality accessories brands. Please choose the right accessory for your job. Please refer to the accessory package and you will get more methods and help for using the accessory.

Specification

Model	51006C	
Voltage	12V	
No-loading speed	0-440/0-1450/rev/min	
Torque adjustment	17+1	
Max. torque	30 N·m	
Maximum clamping capacity	10mm	
Drilling capacity	Steel	8mm
	Wood	20mm
Machine weight	1.1kg	
Battery capacity	2000mAh	
Recharge time	30min	



OPERATION GUIDELINE



Caution: Please read the instruction carefully before operating the machine.

Before the use

1) Charging

This charger and machine shall be used together. Do not use other chargers.

The machine has a protection circuit. When the battery is low, the protection circuit is turned on and the machine stops rotating.

The machine may become hot under the high temperatures or after a long period of operation. At this time, do not charge immediately but wait until the battery is cooled. Otherwise, the service life of battery will be shortened or the charging failure may be caused due to overheating.

For the first charging or after a long period of storage, the efficiency of first charging may only reach about 60%. After 2-3 charging and discharging cycles, the battery efficiency may reach 100%.

2) Installation and removal of battery pack (see Figure A)

Press the lock buttons on both sides of battery pack and pull it out. To insert the battery pack, simply push it into the machine. Avoid the excessive force.

OPERATION

1. Start/stop (see Figure B)

Press and hold the switch (1) to start the machine, and release it to stop the machine. The switch has the brake function. When the switch is released, the chuck stops rotating immediately.

Change the force applied to the switch to

regulate the rotating speed. The range of adjustment is between 0 and the maximum rotating speed. The smaller the force is, the lower the rotating speed is. The drilling starts slowly and stably. Prevent the shutdown of machine due to the excessive load.

⚠ WARNING

Do not operate at low speed for a long time. Otherwise the machine will be overheating inside.

2. Switch lock (see Figure B)

The switch has the lock protection function which helps to avoid the accidental activation of the hand drill. Lock the machine by adjusting the reversing yoke (2) to the center position.

3. Rotation reversing (see Figure B)

Forward: Push the side of reversing yoke marked with "←" to the end (left side) for drilling and screwing the screw. Reverse: Push the side of reversing yoke marked with "→" to the end (right side) for releasing or unscrewing the screw.

⚠ WARNING

The rotating speed can only be changed after the machine is completely still.

4. Speed change (see Figure C)

1) Move the shift yoke (3) downwards to the Lo speed: high torque / low rotating speed for drilling a thicker bit or driving the screw.

2) Move the shift yoke (3) upwards to the Hi speed: low torque / high rotating speed for drilling a thinner bit.

When the mechanical shift lever cannot be toggled due to teeth collision, tap the switch to rotate the motor and then change the position.

⚠ WARNING

The rotating speed can only be changed after

the machine is completely still.

5. Installation or removal of bit (see Figure D)

Caution: When installing or removing the bit, be sure to confirm that the drill has been turned off and that the battery pack has been removed.

Hold the machine in one hand, hold the chuck collar in the other hand, turn the chuck counterclockwise to open it, load the bit into the chuck, push it as far as possible, and then tighten the chuck by rotating the collar clockwise. Hold the collar and rotate it counterclockwise to remove the bit.

6. Torque and drill setting (see Figure E)

Rotate the torque adjusting ring to adjust the torque of machine. When the number 1 on the torque adjusting ring is aligned with the indicating arrow on the machine, the torque will be minimal. When the mark on the torque adjusting ring is aligned with the indicating arrow above the machine, the torque will be maximum.

Setting reference is as follows:

1-4	Rotate the small screw
5-8	Drive the screw into the soft material
9-12	Drive the screw into the soft or hard material
13-15	Drive the screw into the hard material
16-17	Drive the larger screw
	High-strength drilling

7. Work light

Machine is equipped with the work light: when the switch is pressed, the light will come on; when it is released, light will go out

8. Spindle self-locking (see Figure F)

The spindle self-locking function allows the

machine to operate as a hand tool. When the battery pack is exhausted, you can manually rotate the machine to tighten or loosen the screw. In this case, the chuck is stationary.

9. Battery level display

When the machine switch is pressed, the battery indicator will stay on for 5s. The remaining capacity of battery pack may be determined according to the following table.

LED display	Remaining battery
	0-25%
	25-50%
	50-75%
	75-100%

10. Drilling operation

When drilling on the surface of hard material, first mark the area where you want to drill with the pointed punch and hammer to prevent the bit from slipping. Hold the hand drill, align the bit tip with the mark, and press the switch to drill. Drill with the appropriate pressure. Do not apply excessive pressure or deviated pressure to increase the diameter.

Note:

The intact high-speed steel bit shall be used for the drilling on metal. For the short screwdriver bit, use a magnetic connecting rod (not included). When tightening the screw, apply a little soap or other lubricant to the thread to facilitate the operation.

QUESTION AND ANSWER:

1. Why does the machine not operate after the switch is pressed?

A reversing yoke is located on the upper part of switch. It is locked. Turn it to the position where the rotation is in need, and then press the

button to rotate the machine.

2. Why does the hand drill stop when the screw has not been tightened?

The machine has low-voltage protection. When the level of battery pack is too low, the machine will not work. Please confirm the level of battery pack.

The machine has temperature protection. When the battery is working at full load for a long time, the battery pack will overheat and the temperature protection system will start to stop the machine. Cool the machine to normal temperature before resumption.

Adjust the torque adjusting ring between the body and chuck. The minimum torque corresponds to position 1, and the maximum torque corresponds to position xx. Setting the torque adjusting ring to a higher position can solve this problem.

3. Why is the service life of same kind of battery pack is different?

As mentioned above, if a battery pack is left unused for a long time, its service life may be shortened. This is the matter of charging frequency. Repeated charging and application may improve the situation. In case of heavy work, e.g. When the large screw is driven into the hardwood, the battery pack will run out soon. Do not charge in a temperature below 0 °C or above 45 °C. Otherwise, the performance of battery pack will be affected.

MAINTENANCE

Be sure to pull off the plug before repairing or replacing the machine.

The electric tool does not require additional lubrication or other maintenance. Do not wash the electric tool with the water or chemical cleaner. Wipe it off with a dry cloth. Tool shall be stored under the dry conditions and kept clean at the vent of motor. Try not to use it in a dusty environment.

DISPOSAL OF DISCARDED BATTERY PACK



Li-ion

To protect the natural environment, please recycle or dispose of the battery pack properly. The battery pack contains a Li-ion battery. Please consult the local waste disposal department for the information on recycling and/or disposal. Exhaust the battery pack with the hand drill, remove the battery pack, and wrap the pole port with strong tape to avoid the short circuit and leakage. Do not attempt to open or remove any part.

ENVIRONMENTAL PROTECTION

Disposal of waste



The damaged machine, accessories and packaging materials shall be classified in detail for recycling in line with environmental protection requirements.

All plastic parts are marked with material identifications to facilitate the classification and recycling.

适用型号 / Model

51006C

版本号 / Version No

V-SC-51006C-202105



世达工具（上海）有限公司

SATA TOOL (SHANGHAI) LIMITED

客户服务：上海市浦东新区碧波路 177 号 A 座 302 室

Customer service: Room 302, Area A, No. 177, Bibo Road, Pudong New Area, Shanghai

邮编 / Post: 201203

电话 / Tel.: (86 21) 6061 1919

传真 / Fax: (86 21) 6061 1918